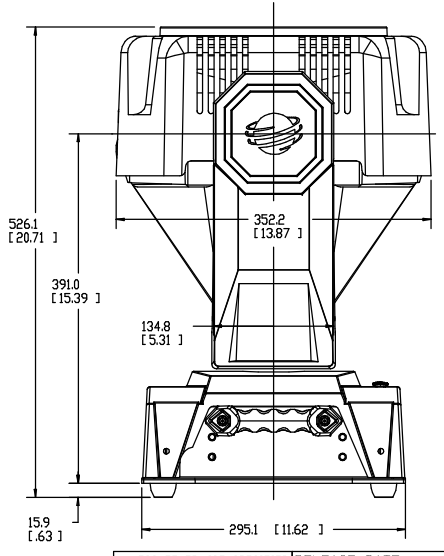
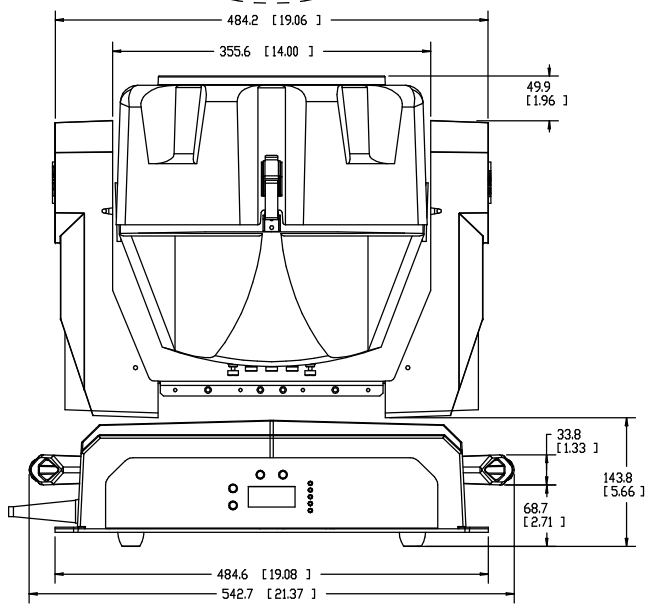
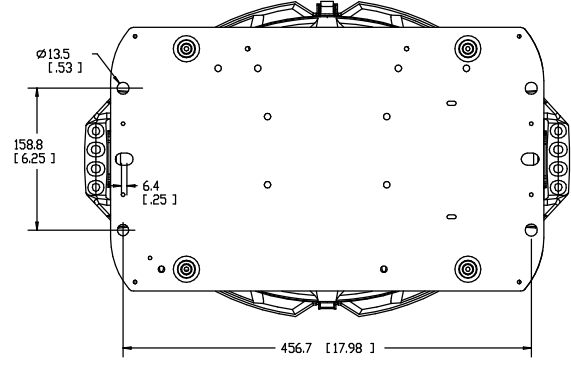
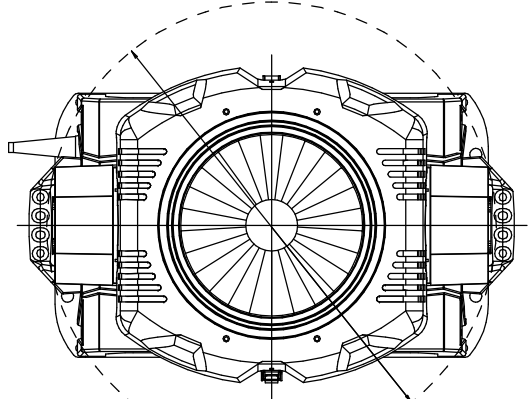


KSA001

| REV. | DESCRIPTION | DATE | ENG | ECD # | APPR |
|------|----------------|---------|-----|-------|------|
| 1 | CREATE DRAWING | 31OCT05 | | | |



ANCILLARY DRAWING

| | | | | | |
|-------------------------------|--|-------------------------------|--------------|--|-------------------------------|
| UNLESS OTHERWISE SPECIFIED | | RELEASE DATE: | CE: | High End 2105 GRACY FARMS LANE AUSTIN, TEXAS 78758 (512) 836-2242 FAX (512) 836-4128 ***** http://www.highend.com | LIGHTWAVE RESEARCH |
| DIMENSIONAL TOLERANCES: | | ENG: | QA: | | |
| 0 PLACE DECIMAL = ± 0.38 | | ME: | | | |
| 1 PLACE DECIMAL = ± 0.25 | | MFG: | DRW: LARRY R | | |
| 2 PLACE DECIMALS = ± 0.13 | | DESCRIPTION: | | | |
| ANGLES = $\pm 0.5^\circ$ | | ASSY, TOP LEVEL FIXTURE S-CMD | | | |
| FOR PAINTED PARTS REFER TO | | MATERIAL: | | | |
| ENG. SPEC. MANUAL VI-0592 | | FINISH: | | | |
| MIN. DRAFT | | CHARTED | | | |
| MIN. RADII | | INTERPRET DIMENSIONS PER | | | |
| FLATNESS | | ASME Y14.5M-1994 | | | |
| THICKNESS | | THIRD ANGLE PROJECTION | | | |
| VOLUME | | DIMENSIONS ARE IN MILLIMETERS | | | |
| | | METRIC | PART NO. | DRAWING NO. | REV |
| | | | NA | KSA001_2D | 1 |
| | | DO NOT SCALE | SCALE: 1.000 | SHEET: 1 OF 1 | |

PROPRIETARY NOTICE:
 THIS DOCUMENT CONTAINS CONFIDENTIAL AND PROPRIETARY INFORMATION OF HIGH END SYSTEMS INC., (ALSO DBA LIGHTWAVE RESEARCH) AND IS GIVEN TO THE RECEIVER IN CONFIDENCE. THE RECEIVER ACCEPTS AND AGREES THAT, EXCEPT AS AUTHORIZED BY HIGH END SYSTEMS, THE RECEIVER WILL NOT PERMIT THE USE OF THE DOCUMENT OR ANY COPY THEREOF OR THE INFORMATION THEREIN WILL NOT COPY OR PERMIT COPYING THE DOCUMENT WILL NOT DISCLOSE TO OTHERS EITHER THE DOCUMENT OR THE INFORMATION THEREIN, AND WILL, UPON COMPLETION OF THE NEED TO RETAIN THE DOCUMENT, OR UPON DEMAND, RETURN THE DOCUMENT WITHOUT RETAINING ANY OF THE INFORMATION CONTAINED THEREIN IN ANY FORM WHATSOEVER.