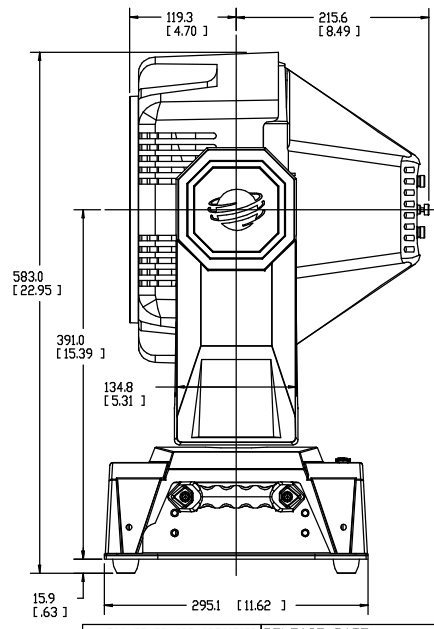
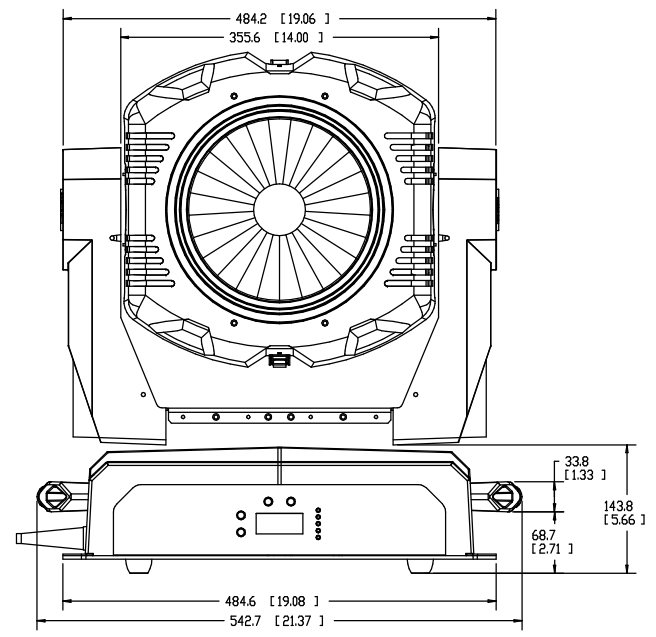
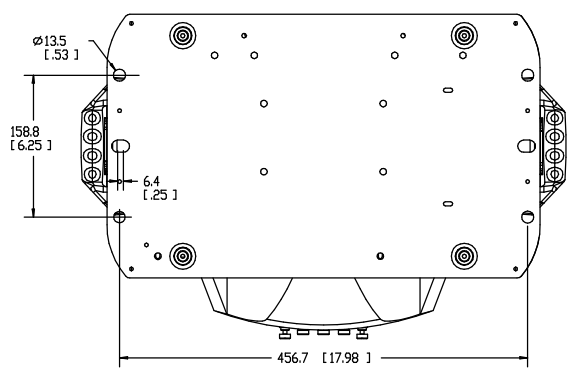
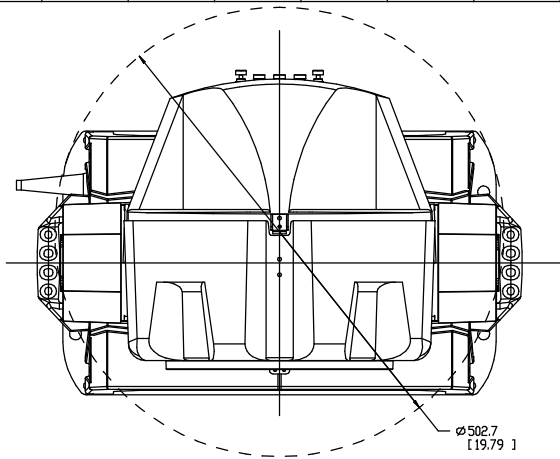


REV.	DESCRIPTION	DATE	ENG	ECD #	APPR
1	CREATE DRAWING	31OCT05			



ANCILLARY DRAWING

UNLESS OTHERWISE SPECIFIED: DIMENSIONAL TOLERANCES: 0 PLACE DECIMAL = ±0.38 1 PLACE DECIMAL = ±0.25 2 PLACE DECIMALS = ±0.13 ANGLES = ±0.5°	RELEASE DATE: ENG: ME: MFG:	CE: QA:	High End 2105 GRACY FARMS LANE AUSTIN, TEXAS 78758 (512) 836-2242 FAX (512) 836-4128 http://www.highend.com	
FOR PAINTED PARTS REFER TO ENG. SPEC. MANUAL VI-0592	DESCRIPTION: ASSY, TOP LEVEL FIXTURE S-CMD ROTATED	DRW: LARRY R	FINISH: NA	
MIN. DRAFT	MATERIAL: CHARTEAD			
MIN. RADII	INTERPRET DIMENSIONS PER ASME Y14.5M-1994	PART NO. NA	DRAWING NO. KSA001_2D_R	REV 1
FLATNESS	THIRD ANGLE PROJECTION		DO NOT SCALE	SCALE: 1.000
THICKNESS	DIMENSIONS ARE IN MILLIMETERS		SHEET: 1 OF 1	
VOLUME				

PROPRIETARY NOTICE:
THIS DOCUMENT CONTAINS CONFIDENTIAL AND PROPRIETARY INFORMATION OF HIGH END SYSTEMS INC. (ALSO DBA LIGHTWAVE RESEARCH) AND IS GIVEN TO THE RECEIVER IN CONFIDENCE. THE RECEIVER ACCEPTS AND AGREES THAT, EXCEPT AS AUTHORIZED BY HIGH END SYSTEMS, THE RECEIVER WILL NOT PERMIT THE USE OF THE DOCUMENT OR ANY COPY THEREOF OR THE INFORMATION THEREIN, WILL NOT COPY OR PERMIT COPYING THE DOCUMENT OR THE INFORMATION THEREIN, AND WILL, UPON COMPLETION OF THE NEED TO RETAIN THE DOCUMENT, OR UPON DEMAND, RETURN THE DOCUMENT WITHOUT RETAINING ANY OF THE INFORMATION CONTAINED THEREIN IN ANY FORM WHATSOEVER.