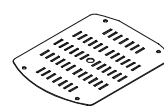
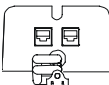
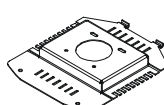
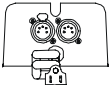
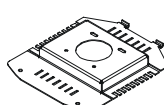
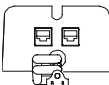
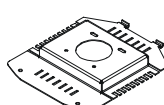
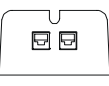


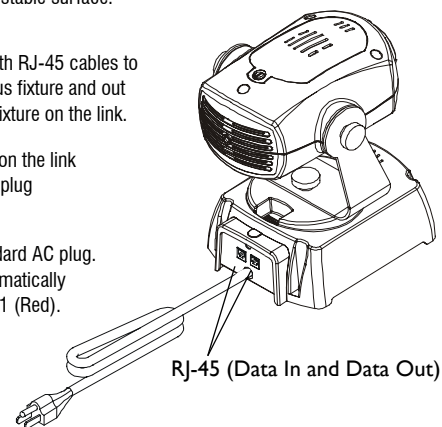
Installing your C-16 fixture

Identify your model type

Type	Part #	Power Connect	Base Plate	Data Connect	Backplate
A	54010001	AC power cord		RJ-45 Data	
	54010011				
	54010021				
B	54010003	J-Box		XLR Data	
	54010013				
	54010023				
C	54010002	J-Box		RJ-45 Data	
	54010012				
	54010022				
D	54010004	J-Box		CAT5 Data	
	54010014				
	54010024				

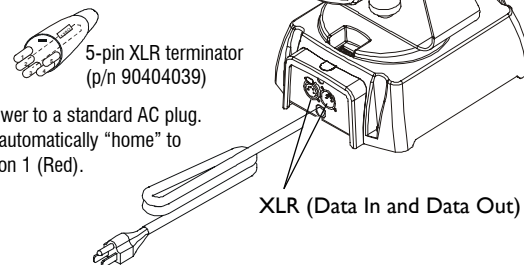
A

- Set the fixture on floor or stable surface.
- Link the units together with RJ-45 cables to bring data in from previous fixture and out from the unit to the next fixture on the link.
- Terminate the last fixture on the link with a RJ-45 termination plug (p/n 55000011).
- Connect power to a standard AC plug. The C-16 fixture will automatically "home" to color position 1 (Red).



B

- Set the fixture on floor or stable surface.
- Link the units together with 5-pin XLR cables to bring data in from previous unit or controller and out from the unit to the next fixture on the link.
- Plug a XLR termination plug into the data out connection of the last fixture on the link.
- Connect power to a standard AC plug. Fixture will automatically "home" to color position 1 (Red).



For all installations:

Mounting

- Only mount to surface able to support fixture weight.
- Once the unit is mounted securely, you can adjust pan and tilt manually.
- C-16 fixtures use convection cooling. Always orient the fixture head with the access door up to allow heat to rise from the unit.

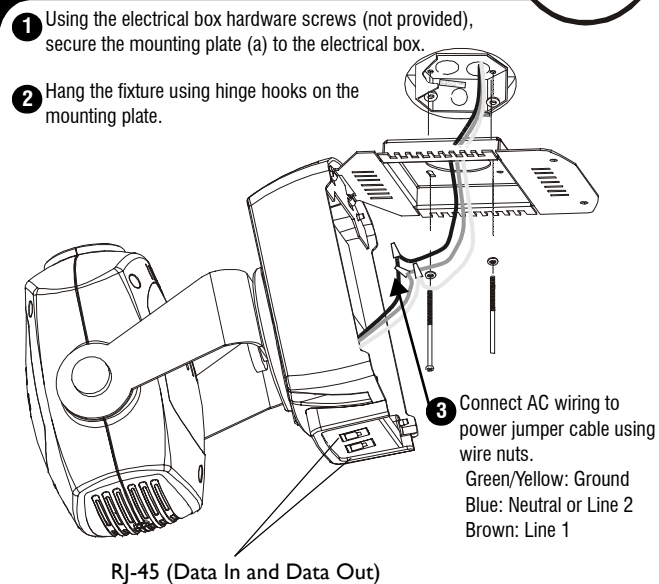
Operating

- A suitable disconnect such as a circuit breaker must be provided in the fixture installation.
- Insure that all connections are made prior to applying power to the fixture.
- This fixture may need to be reset manually after a static discharge.
- This device complies with part 15 of the FCC Rules. Operation is subject to the following two conditions: (1) This device may not cause harmful interference, and (2) this device must accept any interference received, including interference that may cause undesired operation.

Moving

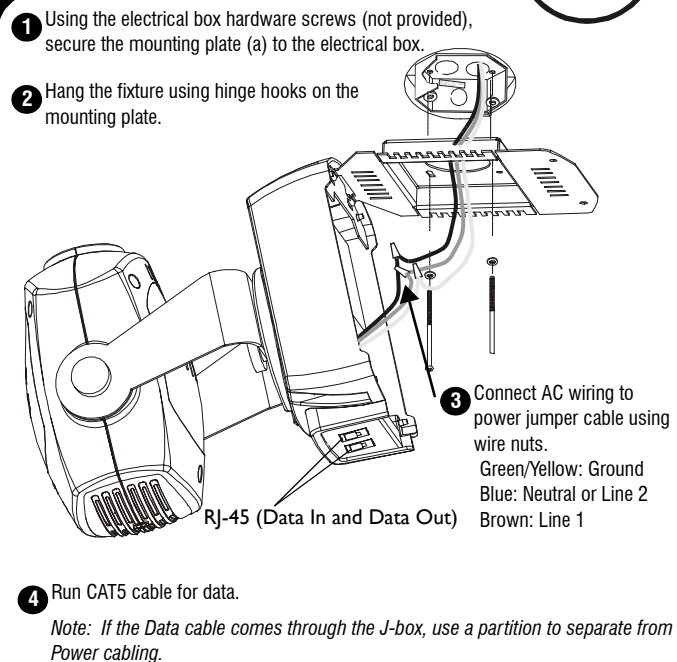
- Remove lamp before transporting unit.

C



- Using the electrical box hardware screws (not provided), secure the mounting plate (a) to the electrical box.
- Hang the fixture using hinge hooks on the mounting plate.
- Connect AC wiring to power jumper cable using wire nuts. Green/Yellow: Ground Blue: Neutral or Line 2 Brown: Line 1
- Close fixture and secure with the two (2) M5 x 10 socket cap screws.
- Link the units together with RJ-45 cables to bring data in from previous fixture and out from the unit to the next fixture on the link.
- Terminate the last fixture on the link with a RJ-45 termination plug (p/n 55000011).
- Turn on circuit breaker. The C-16 fixture will automatically "home" to color position 1 (Red).

D



- Using the electrical box hardware screws (not provided), secure the mounting plate (a) to the electrical box.
- Hang the fixture using hinge hooks on the mounting plate.
- Connect AC wiring to power jumper cable using wire nuts. Green/Yellow: Ground Blue: Neutral or Line 2 Brown: Line 1
- Run CAT5 cable for data. Note: If the Data cable comes through the J-box, use a partition to separate from Power cabling.
- Snap NF-50 Ferrite (provided) around Data cable wires.
- Use the 3-position data terminal block (provided) and connect: Pin 1: Common Pin 2: Data - Pin 3: Data + Note: Terminate the last fixture on the link with a 120 ohm resistor between pin 2 and 3 on data connector.
- Plug data terminal block into logic board location TB3.
- Close fixture and secure with the two (2) M5 x 10 socket cap screws.
- Turn on circuit breaker. The fixture will automatically "home" to color position 1 (Red).

Maintenance

Accessing Replacement Parts

- Disconnect the C-16 fixture from power or shut off circuit breaker before replacing any parts.
- Loosen captive screw and lift the access door away from fixture.

Replacing a Lamp

- If fixture has been operating, allow lamp to cool.
- Pull lamp straight out of socket and replace with Sylvania Tru-Aim IR MR-16 50W lamp.

Replacing a Filter

- Gently raise spring clip holding color filter and rotate toward center of carousel.
- Lift old filter out of carousel and insert new filter between tabs.
- Lifting slightly, rotate spring clip over filter and release to hold filter in place.

Cleaning

Use a mild glass cleaner (containing no ammonia) and a soft, lint-free cotton cloth to clean any C-16 surfaces.

Declaration of Conformity

(according to ISO/IEC Guide 22 and EN45104)

Manufacturer's name: High End Systems, Inc.
 Manufacturer's address: 2217 West Braker Lane
 Austin, Texas 78758 USA

Distributor's name: High End Systems, Inc.
 Distributor's address: 2217 West Braker Lane
 Austin, Texas 78758 USA

Declares that the product

Product Name: C-16
 Product Number: C-16
 Product Options: All

conforms to the following EEC directives:

73/23/EEC, as amended by 93/68/EEC
 89/336/EEC, as amended by 92/31/EEC and 93/68/EEC

Equipment referred to in this declaration of conformity was first manufactured in compliance with the following standards in 2002:

Safety: EN 60598-1: 1997
 EN 60598-2-17: 1989
 AI-A3: 1993
EMC: EN 55022, 1998 Class A ITE
 FCC CFR 47 Part 15
 CNS-13438
 VCCI
 EN 61000-3-2
 EN 61000-3-3
 EN 55024:1998
 EN61000-4-2: 1995 Level 3 Class 2
 EN61000-4-3: 1995 Level 2 (3V/m)
 EN61000-4-4: 1995 Level 2 (1/.5kV)
 EN61000-4-5: 1995 Level 3 (2/1kV)
 EN61000-4-6: 1996 Level 2 (3Vrms)
 EN61000-4-11:1994

USA, Tuesday, May 30, 2002

Kenneth Hansen
 Kenneth Stuart Hansen, Compliance Engineer

FCC Information This equipment has been tested and found to comply with the limits for a Class A digital device, pursuant to part 15 of the FCC rules. These limits are designed to provide reasonable protection against harmful interference when the equipment is operated in a commercial environment. This equipment generates, uses, and can radiate radio frequency energy and, if not installed and used in accordance with the instruction manual, may cause harmful interference to radio communications. Operation of this equipment in a residential area is likely to cause harmful interference, in which case the user will be required to correct the interference at his own expense.

This device complies with part 15 of the FCC Rules. Operation is subject to the following two conditions: (1) This device may not cause harmful interference, and (2) this device must accept any interference received, including interference that may cause undesired operation.

Insure that all connections are made prior to applying power to the fixture.
 Caution: This fixture may need to be reset manually after a static discharge.

Important Safety Information CAUTION - RISK OF FIRE. MIN 75°C SUPPLY CONDUCTORS. THIS PRODUCT MUST BE INSTALLED IN ACCORDANCE WITH THE APPLICABLE INSTALLATION CODE BY A PERSON FAMILIAR WITH THE CONSTRUCTION AND OPERATION OF THE PRODUCT AND THE HAZARDS INVOLVED. CONSULT A QUALIFIED ELECTRICIAN TO ENSURE CORRECT BRANCH CIRCUIT CONDUCTOR.
 ATTENTION - RISQUE D'INCENDIE. MIN 75°C SUPPLY CONDUCTORS. CE PRODUIT DOIT ETRE INSTALLE SELON LE CODE D'INSTALLATION PERTINENT, PAR UNE PERSONNE QUI CONNAIT BIEN LE PRODUIT ET SON FONCTIONNEMENT AINSI QUE LES RISQUES INHERENTS. CONSULTER UN ELECTRICIEN QUALIFIE POUR VOUS ASSURER QUE LES CONDUCTEURS DE LA DERIVATION SONT ADEQUATS.

Product Modification Warning High End Systems' products are designed and manufactured to meet the requirements of United States and International safety regulations. Modifications to the product could affect safety and render the product non-compliant to relevant safety standards.

Mise En Garde Contre La Modification Du Produit Les produits High End Systems sont conçus et fabriqués conformément aux exigences des règlements internationaux de sécurité. Toute modification du produit peut entraîner sa non conformité aux normes de sécurité en vigueur.

Produktmodifikationswarnung Design und Herstellung von High End Systems entsprechen den Anforderungen der U.S. Amerikanischen und internationalen Sicherheitsvorschriften. Abänderungen dieses Produktes können dessen Sicherheit beeinträchtigen und unter Umständen gegen die diesbezüglichen Sicherheitsnormen verstoßen.

Avvertenza Sulla Modifica Del Prodotto I prodotti di High End Systems sono stati progettati e fabbricati per soddisfare i requisiti delle normative di sicurezza statunitensi ed internazionali. Qualsiasi modifica al prodotto potrebbe pregiudicare la sicurezza e rendere il prodotto non conforme agli standard di sicurezza pertinenti.

Advertencia De Modificación Del Producto Los productos de High End Systems están diseñados y fabricados para cumplir los requisitos de las reglamentaciones de seguridad de los Estados Unidos e internacionales. Las modificaciones al producto podrían afectar la seguridad y dejar al producto fuera de conformidad con las normas de seguridad relevantes.

