

ColorCommand™ MECHANICAL SPECIFICATIONS

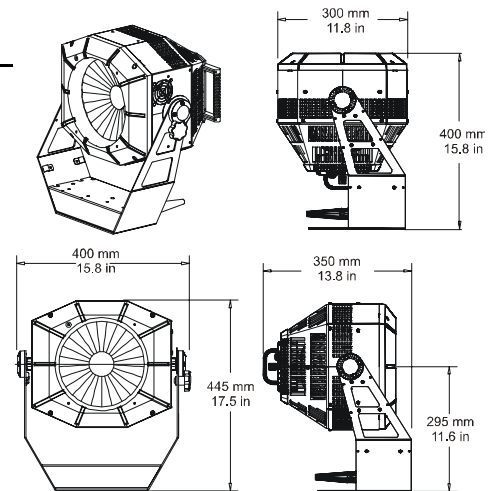
Fixture
mm: 350 x 400 x 445
in: 13.8 x 15.8 x 17.5

Packed for Shipping
mm: 531 x 588 x 952
in: 21 x 23 x 37.5

Weight: 9.1 kg (20 lbs) **Weight:** 11.3 kg (25 lbs)

Mounting Information: ColorCommand® may be mounted by attaching suitable clamps with locking washers through the holes on top of the yoke. Cheeseborough truss clamps and ½" nut/bolt sets may be purchased separately.

Colors Available: Black.



ColorCommand™ ELECTRICAL/ LIGHT SOURCE SPECIFICATIONS

Lamp: Phillips Halogen Biplanar

Lamp Power Input: 115V/230V

Lamp Type	Power Consumption	Lamp Life	Color Temperature
Philips 750W/115V	7A @115V, 50/60Hz	300 hrs.	3200K
Philips 800W/230V	3/5A@230, 50/60Hz	400 hrs	3100K

Rated Power: 800W maximum

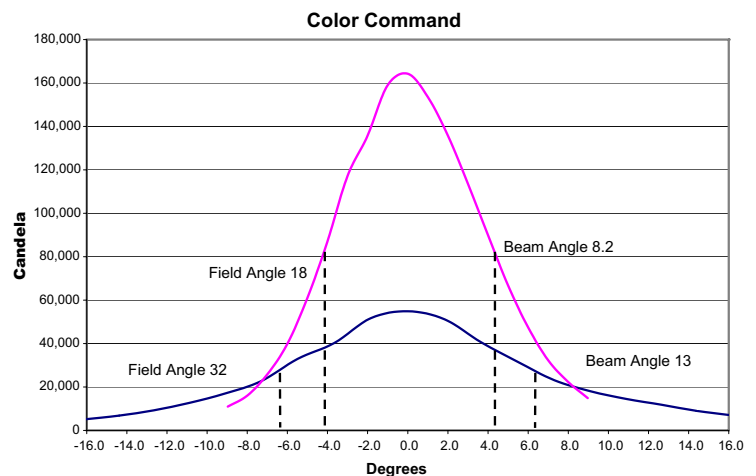
Control Power Input: 40VDC/750 mA

Lumens: 5000

Field lumens: 4500

Field angle range: 18° - 32°

Beam angle range: 8° - 13°



ColorCommand™ OPERATION

Tilt: Manual: 270°

Minimum Focus Distance: 1 meter

Compliances: CE, CETL, ETL

Connectors: 4-pin male and female XLR data connectors

Environmental Tolerances: Maximum Ambient Temperature: 40° C (104° F)

Minimum Distance to Flammable Objects: 1m (3.28ft)

Maximum Exterior Surface Temperature: 200° C (392° F)

Minimum Distance to Lighted Object: 1m (3.28ft)

ColorCommand™ DMX CHANNELS

Channel	Function
1	Yellow
2	Magenta
3	Cyan
4	Beam Angle

ColorCommand features CMY subtractive color mixing



PART NUMBERS

Fixture
64010001: Fixture, Color Command, Black
65020001: Supply, Color Power, Black

Lamps
55030064: Philips 750W/115V
55030065: Philips 800W/230V

Accessories
26040002: DMX Upload Dongle
90701349: Safety Cable
80470215: Terminator plug
55040014: Truss Clamp

