

ColorMerge™ MECHANICAL SPECIFICATIONS

Fixture

mm: 604 x 246 x 122
in: 23.8 x 9.7 x 4.8

Weight: 5.9kg (13 lbs)

Packed for Shipping

mm: 762 x 356 x 152
in: 30 x 14 x 6

Weight: 7.7kg (17 lbs)

Mounting Information: The ColorMerge® color module attaches to any ETC Source Four™ ellipsoidal fixture. A Source Four fixture with a ColorMerge module installed must be mounted or suspended so the electronics housing of the ColorMerge module is never above the Source Four fixture.

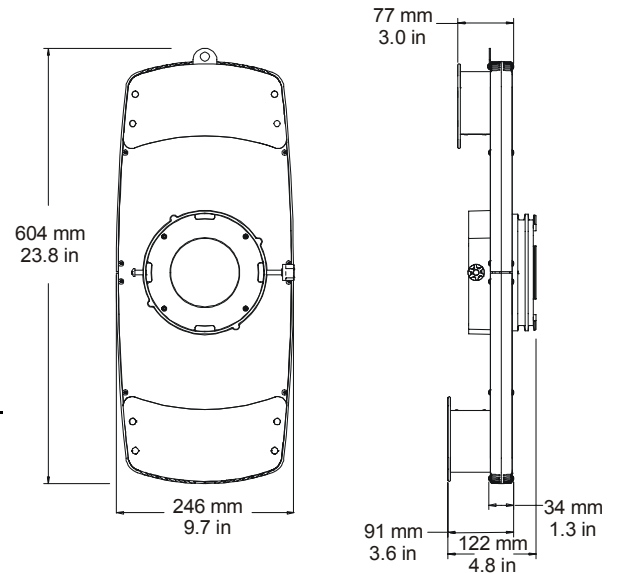
Colors Available: Black.

ColorMerge™ OPERATION

Compliance: CE, CETL, ETL

Connectors: 4-pin male and female XLR connectors

Environmental Tolerances: Maximum Ambient Temperature: 40° C (104° F)

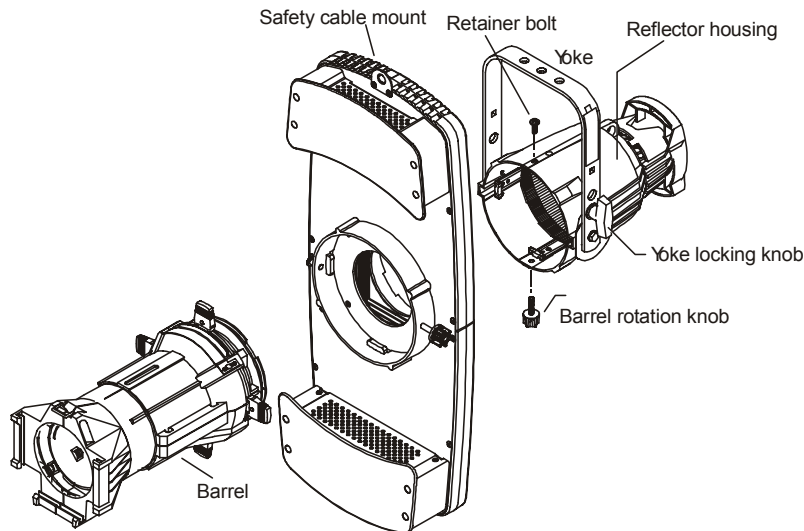


ColorMerge™ DMX CHANNELS

Channel Function

- | | |
|---|---------|
| 1 | Yellow |
| 2 | Magenta |
| 3 | Cyan |

ColorMerge features CMY subtractive color mixing



Installing a ColorMerge module on a Source Four Ellipsoidal fixture

PART NUMBERS

Fixture

59010001: Module ColorMerge, Black
65020001: Fixture ColorPower, Black

Accessories

26040002: DMX Upload Dongle
90701349: Safety Cable
80470215: Terminator plug
55040014: Truss Clamp

