

MECHANICAL SPECIFICATIONS

DIMENSIONS

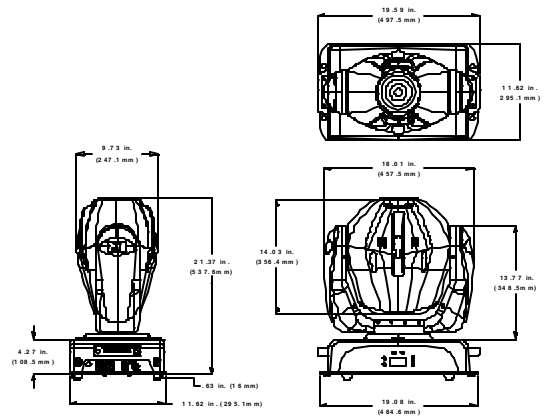
FIXTURE		BOXED FOR SHIPPING	
in:	11.6 x 19.6 x 21.4	in:	19 x 26 x 31
mm:	295.1 x 497.5 x 537.6	mm:	480 x 657 x 784
Weight:	22.4 kg (49 lb)	Weight:	29 kg (63 lb)

Mounting Information

Studio Color 250 may be mounted by attaching suitable clamps with locking washers through the center holes on the base of the fixture. Cheeseborough truss clamps and 1/2" nut/bolt sets may be purchased separately. Studio Color 250 can also be stood on its rubber feet on a sturdy, stable surface.

Colors Available: Black

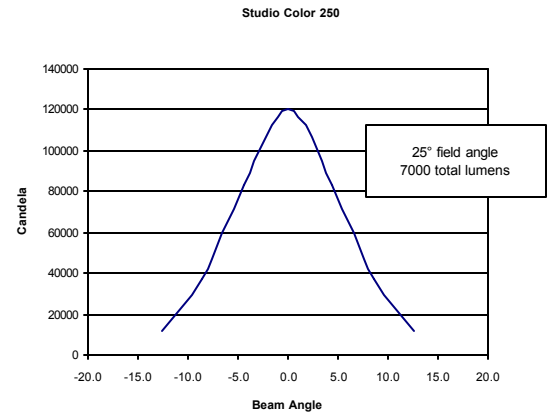
Turning Radius: 18 in (457 mm)



ELECTRICAL SPECIFICATIONS / LIGHT SOURCE

Lamp	MSD 250/2
Power Consumption	100V 50HZ @ 3.75A 120V 50HZ @ 3.13 A 230V 50HZ @ 1.6A 100V 60HZ @ 3.75A 120V 60HZ @ 3.13A 208V 60HZ @ 1.8A
Rated Power	375 W
Power Factor	120V, 60HZ: 0.96 230V, 50HZ: 0.90
Light Output	7000 ANSI lumens
Lamp Life	2000 hours
Color Temperature	6500 K

	Center Beam Candela	Beam Angle Degrees	Field Angle Degrees
	120,000	13	25
Throw	Center Beam	Beam Diameter	Field Diameter
5	4,800	1.1	2.2
10	1,200	2.3	4.4
15	533	3.4	6.7
20	300	4.6	8.9
25	192	5.7	11.1
30	133	6.8	13.3
35	98	8.0	15.5
40	75	9.1	17.7
45	59	10.3	20.0
50	48	11.4	22.2
55	40	12.5	24.4
60	33	13.7	26.6
65	28	14.8	28.8
70	24	16.0	31.0
75	21	17.1	33.3
80	19	18.2	35.5
85	17	19.4	37.7
90	15	20.5	39.9
95	13	21.6	42.1
100	12	22.8	44.3



For Metric figures, read "Center Beam" values as in lux, and the throw and diameters will be in meters.
For US figures, read "Center Beam" values as in footcandles, and the throw and diameters will be in feet.

Illuminance = $\frac{\text{Candela}}{\text{Distance}^2}$

OPERATION

Pan: 540° **Tilt:** 287° **Control Options:** DMX-512, On Board Programming/Playback, Time Code Sync, Internal Effects, Fixture Talkback
Zoom: Yes **Field Angle:** 21° - 25° **Address Methods:** LED Display, Fixture Talkback

Software Upgrades Operating software may be downloaded from the High End Systems web site (www.highend.com), and uploaded using a High End Systems dongle.

Compliances Studio Color 250 is CE, CETL, and ETL compliant.

DMX Connectors 3-pin or 5-pin male and female XLR connectors

Environmental Tolerances Maximum Ambient Temperature: 50°C (122°F) Maximum Exterior Surface Temperature: 100°C (212°F)
 Minimum distance to flammable objects: 3.28 ft (1.0 m) Minimum distance to lighted object: 3.28 ft (1.0 m)

PART NUMBERS

Fixtures
 42010003 - Studio Color MSD 250/2 Automated Wash Fixture, w/lamp
 42010004 - Studio Color MSD 250/2 Automated Wash Fixture, w/Laser Aiming Device, w/lamp

Accessories
 26040002 - DMX Upload Dongle

Lamps
 55030051 - Studio Color 250 Replacement Lamp, Phillips MSD 250-2

Flight Cases
 40070005 - Road Case, Studio Color 250 & Studio Spot 250, Single Fixture Pro
 40070006 - Road Case, Studio Color 250 & Studio Spot 250, Single Fixture Standard
 40070002 - Road Case, Studio Color 250 & Studio Spot 250, Dual Fixtures Pro
 40070003 - Road Case, Studio Color 250 & Studio Spot 250, Dual Fixtures Standard

DMX CHANNELS

Channel	Function	Channel	Function
1	Pan Coarse	9	Beam Shaping
2	Pan Fine	10	Focus
3	Tilt Coarse	11	Shutter
4	Tilt Fine	12	Dim
5	Color Function	13	Motor Speed
6	Cyan	14	Macro/LAD
7	Magenta	15	Control
8	Yellow		

DMX Channels: 14 Fixtures per Universe: 36
 Internal Preset Scene Memory: 2 Banks, 16 Scenes per Bank

COLOR WHEEL

Studio Color 250 features CMY subtractive color mixing.

Each color mixing wheel includes 2 additional fixed colors.

Cyan Color Wheel includes:

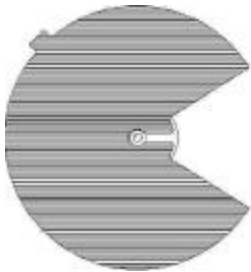
1. Cyan color mixing portion
2. Dark Blue
3. UV (Black Light)

Magenta Color Wheel includes:

1. Magenta color mixing portion
2. Aqua
3. Red

Yellow Color Wheel includes:

1. Yellow color mixing portion
2. Amber
3. CTO

EFFECTS WHEEL

Studio Color 250 features a beam shaping (lenticular) wheel.