

MECHANICAL SPECIFICATIONS

DIMENSIONS

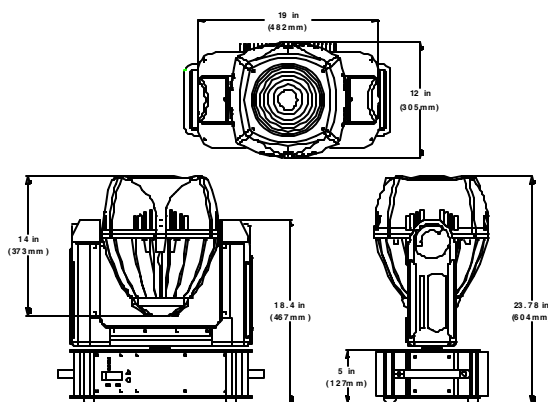
FIXTURE		BOXED FOR SHIPPING	
in:	12.0 x 19.0 x 23.8	in:	20 x 26 x 32
mm:	305 x 482 x 604	mm:	506 x 657 x 809
Weight:	25.9 kg (57 lb)	Weight:	39 kg (85 lb)

Mounting Information:

Studio Color 575 may be mounted by attaching suitable clamps with locking washers through the center holes on the base of the fixture. Cheeseborough truss clamps and 1/2" nut/bolt sets may be purchased separately. Studio Color 575 can also be stood on its rubber feet on a sturdy, stable surface.

Colors Available: Black

Turning Radius: 18.75 in (476.3 mm)

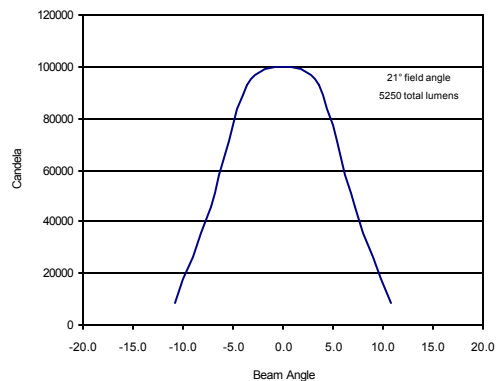


ELECTRICAL SPECIFICATIONS / LIGHT SOURCE

Lamp	Indy 575
Lamp Base	GX9.5, ceramic
Voltage	Universal operation in Studio Color 575 fixture
Power Consumption	100V, 50/60 HZ @ 7.0A 230V, 50/60 HZ @ 3.0A
Rated Power	575W
Power Factor	0.96 @ 230V/50HZ 0.99 @ 100V/60HZ
Light output	5250 ANSI lumens
Lamp life	400 hours
Color temperature	3200K

	Center Beam Candela	Beam Angle Degrees	Field Angle Degrees
	100,000	14	21
Throw	Center Beam	Beam Diameter	Field Diameter
5	4,000	1.2	1.9
10	1,000	2.5	3.7
15	444	3.7	5.6
20	250	4.9	7.4
25	160	6.1	9.3
30	111	7.4	11.1
35	82	8.6	13.0
40	63	9.8	14.8
45	49	11.1	16.7
50	40	12.3	18.5
55	33	13.5	20.4
60	28	14.7	22.2
65	24	16.0	24.1
70	20	17.2	25.9
75	18	18.4	27.8
80	16	19.6	29.7
85	14	20.9	31.5
90	12	22.1	33.4
95	11	23.3	35.2
100	10	24.6	37.1

Studio Color 575 with Indy 575 Incandescent Lamp



For Metric figures, read "Center Beam" values as in lux, and the throw and diameters will be in meters.
For US figures, read "Center Beam" values as in footcandles, and the throw and diameters will be in feet.

$$\text{Illuminance} = \frac{\text{Candela}}{\text{Distance}^2}$$

OPERATION

Pan: 370° **Tilt:** 240°
Field Angle: 21°

Control Options: DMX-512, On Board Programming/Playback, Time Code Sync, Internal Effects, Fixture Talkback
Address Methods: LED Display, Fixture Talkback

Software Upgrades Operating software may be downloaded from the High End Systems web site (www.highend.com), and uploaded using a High End Systems dongle.

Compliances Studio Color 575 is CE, CETL, and ETL compliant.

DMX connectors 3-pin male and female XLR connectors

Environmental Tolerances Maximum ambient temperature, Ta: 40°C (104°F) Maximum exterior surface temperature: 140°C (284°F)
Maximum winding temperature, Tw: 130°C (266°F) Maximum capacitor temperature, Tc: 85°C (185°F)

PART NUMBERS

Fixtures
26010011 - Studio Color 575 MSR Automated Wash Fixture, w/lamp
26010012 - Studio Color 575 MSD Automated Wash Fixture, w/lamp

Accessories
55040015 - Studio Color Snoot
99090029 - Studio Color PAR 64 Lens Set

Lamps
55030057 - High End Systems Indy 575 Incandescent Lamp

Controllers
26020001 - Studio Color LCD Controller, 115/230V

Flight Cases
26070000 - Road Case, Studio Color, Single Fixture
26070003 - Road Case, Studio Color, Dual Fixtures

DMX CHANNELS

Channel	Function
1	Pan Coarse
2	Pan Fine
3	Tilt Coarse
4	Tilt Fine
5	Color Functions
6	Color Wheel
7	Cyan Mix
8	Magenta Mix
9	Yellow Mix
10	Lens Wheel (Effects Wheel 1)
11	Frost Wheel (Effects Wheel 2)
12	Shutter
13	Dim
14	Motor Speed
15	Control
16	Checksum

DMX Channels: 14 Fixtures per Universe: 36
 Internal Preset Scene Memory: 1 bank, 16 scenes

COLOR WHEEL

Position	Description	Replaceable
1	Open	No
2	CTO	Yes
3	Pink	Yes
4	Magenta	Yes
5	Red	Yes
6	Aqua	Yes

Indy Studio Color 575 features CMY subtractive color mixing.



Dichroic Glass Diameter: 1.745 in ± 0.010 in (44.323 mm ± 0.25 mm)
 Thickness: 0.070 in ± 0.010 in (1.778 mm ± 0.25 mm)

EFFECTS WHEEL

Effects Wheel 1: Beam Shaping

Effects Wheel 2: Beam Shaping

Position	Description
1	Open
2	Variable Wide Angle Lens
3	Narrow Horizontal Shaping Center Axis
4	Wide Vertical Shaping Center Axis

Position	Description
1	Open
2	Variable Frost Lens
3	Narrow Vertical Shaping Center Axis
4	Wide Horizontal Shaping Center Axis