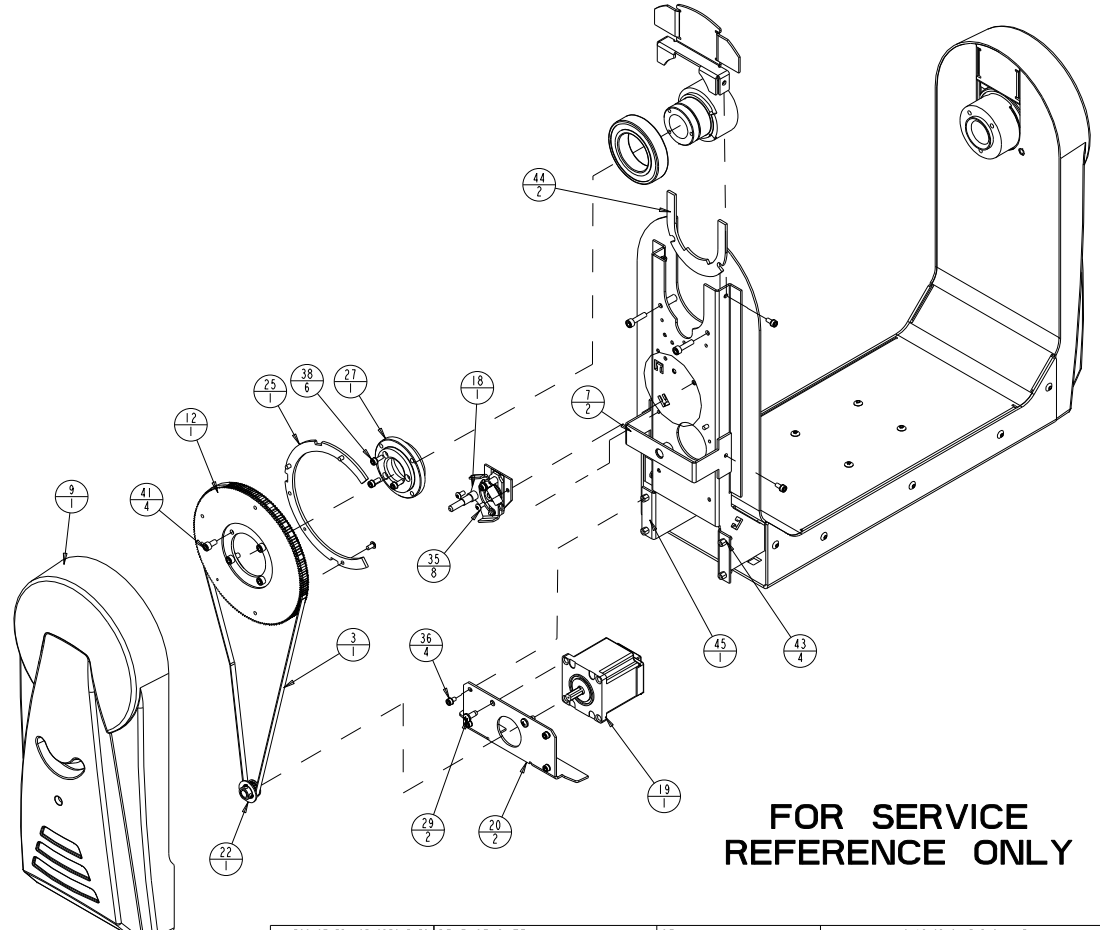


47	1	TWA093	CHARTED	YOKE, WELDED ASSY PAINTED SG
46	2	TW381	99140021	TUBE, TILT W/ RETAINING GROOVE
45	1	DB195	CHARTED	SUPPORT, REINFORCED YOKE BASE DL2
44	2	TW517	80070464	STOP, TILT TUBE SG
43	4	STANDOFF_M4X6_M-F	90702376	STANDOFF, 6MM X 6MM L M/F M4 ALUM
42	4	SCREW M5AC20SSP	91100520	SCREW, M5 SOCKET CAP 20 SS W/PATCH
41	4	SCREW M5AC10SSP	91100510	SCREW, M5 SOCKET CAP 10 SS W/PATCH
40	14	SCREW M5AB10BZP	91010510	SCREW, M5 BUTTON 10 BZ W/PATCH
39	2	SCREW M4AC25W-BZ	91000425	SCREW, M4 SOCKET CAP 25 BZ SEMS
38	6	SCREW M4AC10W-BZ	91000410	SCREW, M4 SOCKET CAP 10 BZ SEMS
37	8	SCREW M4AC08BZ	91000408	SCREW, M4 SOCKET CAP 08 BZ SEMS
36	4	SCREW M4AC06W-BZ	91000406	SCREW, M4 SOCKET CAP 06 BZ SEMS
35	8	SCREW M4AB08BZP	91010408	SCREW, M4 BUTTON 08 BZ W/PATCH
34	2	SCREW M3AF06BZP	91040306	SCREW, M3 SOCKET CSNK FLAT 06 BZ W/PATCH
33	4	SCREW M3AC06W-BZ	91000306	SCREW, M3 SOCKET CAP 06 BZ SEMS
32	4	SCREW M3AB06BZP	91010306	SCREW, M3 BUTTON SOCKET HD 06 BZ W/PATCH
31	6	SCREW 6-19PP250TL-SZ	90709123	SCREW, 6-19 PHIL PAN 1/4 SZ PLASTITE
30	2	SCREW 8-18SH875ABTYPE-SS	90704040	SCREW, #8 HEX HEAD 7/8 SHEET METAL SS
29	2	SCREW 10-14PP500TL-SZ	90709062	SCREW, #10 PHIL PAN 1/2 PLASTITE SZ
28	1	RING, RETAINING, 175, SHAFT	90701375	RING, RETAINING, EXTERNAL, 1.618
27	1	CAT328	99360041	PULLEY, ADAPTOR, TILT, DLI
26	1	TW519	99080311	PLATE, TILT SENSOR SG
25	1	DB160	80071874	PLATE, YOKE LOCK 2 POS COATED DL2/SG
24	4	TW542	80070473	PLATE, COUNTERWEIGHT, OKE SG
23	2	CAT181	80071806	PLATE, TILT BEARING RETAINER BLK DLI
22	1	TW335	99430126	PINION ASSY 17T 3MM HTD, LOW PROFILE
21	1	NUT M4KEP	91201204	NUT, M4 KEPS
20	2	TW526	99260504	MOUNT, TILT MOTOR, SG
19	1	TW502	INTERNAL	MOTOR, ENCODER ASSEMBLY MEA1
18	1	CATA031	NA	LATCH, ASSY, TILT, DLI
17	1	TW208_FORMED	90411075	INSULATOR, IGNITOR MEA1
16	1	TW426	90606007EF	IGNITOR, POWER SUPPLY, 2KW, CCI, A1
15	1	TW380	99400097	HUB, TILT SENSOR SG
14	4	BUSHING 3121DSNAP	90410157	GROMMET, SNAP BUSHING .312 ID
13	1	GROMMET, I-.50_ID	90410146	GROMMET, 1.50 ID x 2.13 OD RUBBER
12	1	CAT317	99430107	GEAR, PULLEY, 170T TILT/PAN DRIVE, DLI
11	2	FSA089	80360009	DAMPENER, BRAKE ASSY PAN X-SPOT/SG
10	1	TW146	99080309	COVER, IGNITOR BRACKET SG
9	1	CATA056	80480013	COVER, ASSY YOKE ARM, LATCH SIDE DL
8	1	CATA055	80480011	COVER, ASSY YOKE ARM DLI
7	2	CAT186	99260424	BRACKET, YOKE ARM COVER RETAINER DL
6	1	CAT198	99263113	BRACKET, WIRE GUIDE, RIGHT, DL
5	1	TW529	99260506	BRACKET, TILT SENSOR, SG
4	1	F5709	80040022EF	BOARD, ASSY X-SPOT FLAG HOMING SENSOR
3	1	TW503_TENSIONED	99360049	BELT, TIMING 3MM HTD, 305 GROOVE, 6MM
2	2	BEARING_45-75MM_BALL	90719061	BEARING, 45MM, 6009 2RS
1	1	TW147	99080310	BASE, IGNITOR BRACKET SG
ITEM NO.	QTY.	FILENAME	PART NO.	DESCRIPTION

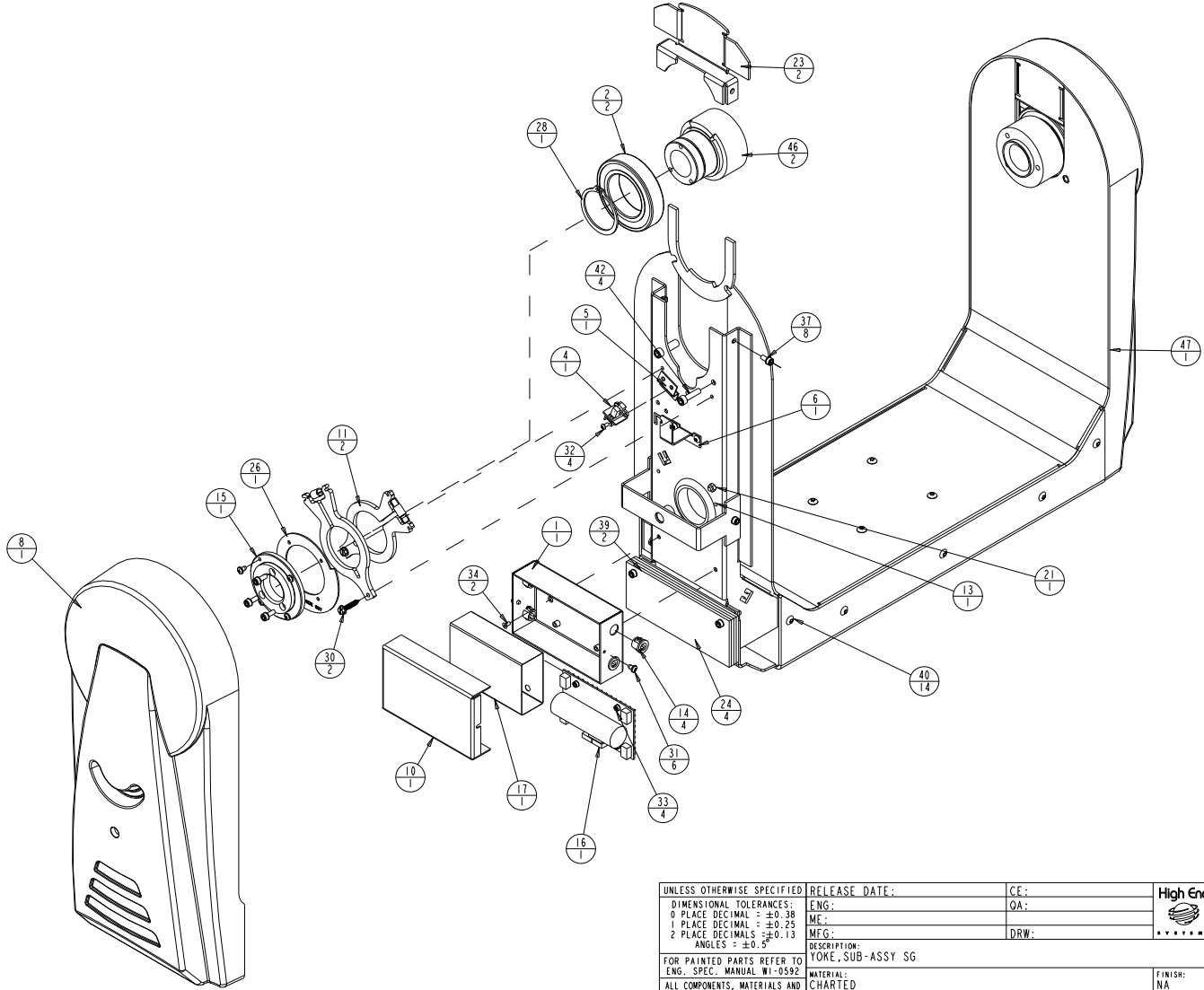
BILL OF MATERIALS



FOR SERVICE REFERENCE ONLY

UNLESS OTHERWISE SPECIFIED DIMENSIONAL TOLERANCES: 0 PLACE DECIMAL = ±0.38 1 PLACE DECIMAL = ±0.25 2 PLACE DECIMALS = ±0.13 ANGLES = ±0.5°	RELEASE DATE: ENG: ME: MFG: DRW:	CE: QA:	High End 2105 GRACY FARMS LANE AUSTIN, TEXAS 78758 (512) 836-2242 FAX (512) 832-4128 http://www.highend.com	LR LIGHTWAVE RESEARCH
FOR PAINTED PARTS REFER TO ENG. SPEC. MANUAL WI-0592 ALL COMPONENTS, MATERIALS AND FINISHES TO BE R6HS COMPLIANT	MATERIAL: CHARTED	FINISH: NA	PART NO. INTERNAL TWA003_SVC	
MIN. DRAFT MIN. RADIUS FLATNESS THICKNESS VOLUME	INTERPRET DIMENSIONS PER ASME Y14.5M-1994 THIRD ANGLE PROJECTION DIMENSIONS ARE IN MILLIMETERS	SI METRIC A1	DRAWING NO. TWA003_SVC	REV. NA
DO NOT SCALE		SCALE: 0.143	SHEET: 1 OF 2	

PROPRIETARY NOTICE:
THIS DOCUMENT CONTAINS CONFIDENTIAL AND PROPRIETARY INFORMATION OF HIGH END SYSTEMS INC., (ALSO DBA LIGHTWAVE RESEARCH) AND IS GIVEN TO THE RECEIVER IN CONFIDENCE. THE RECEIVER ACCEPTS AND AGREES THAT, EXCEPT AS AUTHORIZED BY HIGH END SYSTEMS, THE RECEIVER WILL NOT PERMIT THE USE OF THE DOCUMENT OR ANY COPY THEREOF OR THE INFORMATION THEREIN, WILL NOT COPY OR PERMIT COPYING THE DOCUMENT OR THE INFORMATION THEREIN, AND WILL UPON COMPLETION OF THE NEED TO RETURN THE DOCUMENT, OR UPON DEMAND, RETURN THE DOCUMENT WITHOUT RETAINING ANY OF THE INFORMATION CONTAINED THEREIN IN ANY FORM WHATSOEVER.



UNLESS OTHERWISE SPECIFIED DIMENSIONAL TOLERANCES: 0 PLACE DECIMAL = ±0.38 1 PLACE DECIMAL = ±0.25 2 PLACE DECIMALS = ±0.13 ANGLES = ±0.5°	RELEASE DATE:	CE:	High End 2105 GRACY FARMS LANE AUSTIN, TEXAS 78758 (512) 836-2242 FAX (512) 832-4128 ***** http://www.highend.com		
	ENG:	OA:			
	ME:	DRW:			
	MEG:				
FOR PAINTED PARTS REFER TO ENG. SPEC. MANUAL WI-0582 ALL COMPONENTS, MATERIALS AND FINISHES TO BE RSHS COMPLIANT	DESCRIPTION: YOKE, SUB-ASSY SG		FINISH: NA		
MIN. DRAFT MIN. RADIUS FLATNESS THICKNESS VOLUME	INTERPRET DIMENSIONS PER ASME Y14.5M-1994 THIRD ANGLE PROJECTION DIMENSIONS ARE IN MILLIMETERS		PART NO. INTERNAL TWA003_SVC	DRAWING NO. TWA003_SVC	REV. NA
	DO NOT SCALE	SCALE: 0.143	SHEET: 2 OF 2		

PROPRIETARY NOTICE:
 THIS DOCUMENT CONTAINS CONFIDENTIAL AND PROPRIETARY INFORMATION OF HIGH END SYSTEMS INC., (ALSO DBA LIGHTWAVE RESEARCH) AND IS GIVEN TO THE RECEIVER IN CONFIDENCE. THE RECEIVER ACCEPTS AND AGREES THAT, EXCEPT AS AUTHORIZED BY HIGH END SYSTEMS, THE RECEIVER WILL NOT PERMIT THE USE OF THE DOCUMENT OR ANY COPY THEREOF OR THE INFORMATION THEREIN, WILL NOT COPY OR PERMIT COPYING THE DOCUMENT OR THE INFORMATION THEREIN, AND WILL UPON COMPLETION OF THE NEED TO RETAIN THE DOCUMENT, OR UPON DEMAND, RETURN THE DOCUMENT WITHOUT RETAINING ANY OF THE INFORMATION CONTAINED THEREIN IN ANY FORM WHATSOEVER.