

MECHANICAL SPECIFICATIONS

DIMENSIONS

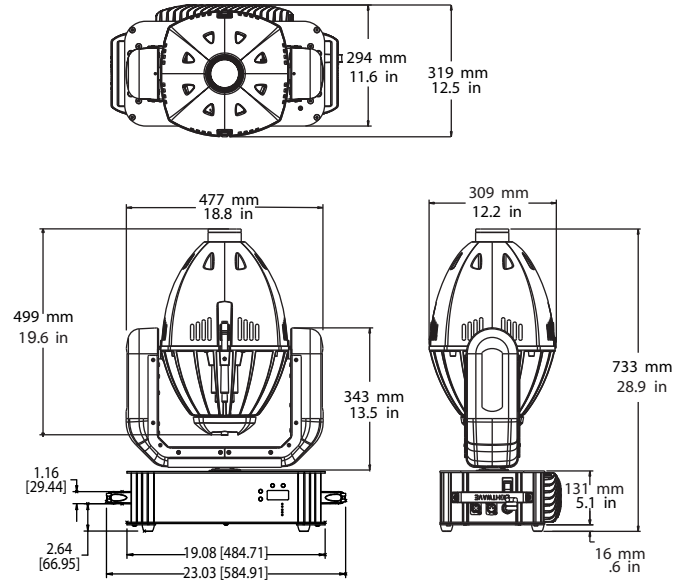
FIXTURE	BOXED FOR SHIPPING
in: 12.0 x 18.8 x 27.5	in: 20 x 26 x 36
mm: 305.0 x 477.7 x 713.3	mm: 506 x 657 x 910
Weight: 26.7 kg (58 lb)	Weight: 37.2 kg (82 lb)

Mounting Information

Studio Spot CMY may be mounted by attaching suitable clamps with locking washers through the center holes on the base of the fixture. Cheeseborough truss clamps and 1/2" nut/boltsets may be purchased separately. Studio Spot CMY can also stand on its rubber feet on a sturdy, stable surface.

Colors available: Black

Turning Radius: 22 in (558 mm)

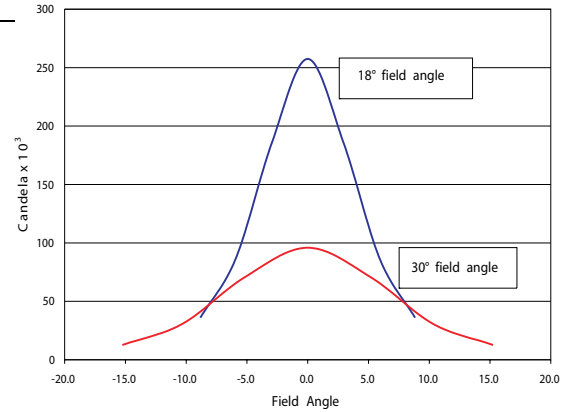


ELECTRICAL SPECIFICATIONS / LIGHT SOURCE

Lamp	MSR 575/2, or optional MSD 575 for longer lamp life	
Power Consumption	100V, 50HZ @ 7.0A	
	230V, 50HZ @ 3.0A	
	100V, 60HZ @ 7.0A	
	230V, 60HZ @ 3.0A	
Rated Power	700W max	
Power Factor	0.96 @ 230V/50HZ	
	0.99 @ 100V/60HZ	
	MSR 575/2	MSD 575
Lamp Life	500 - 750 hours	3000 hours
Color Temperature	6200K	5600K

Throw	Center Beam Candela	Beam Angle Degrees	Field Angle Degrees
	260,000	10	18
	Center Beam	Beam Diameter	Field Diameter
5	10400	0.9	1.6
10	2600	1.7	3.2
15	1156	2.6	4.8
20	650	3.5	6.3
25	416	4.4	7.9
30	289	5.2	9.5
35	212	6.1	11.1
40	163	7.0	12.7
45	128	7.9	14.3
50	104	8.7	15.8
55	86	9.6	17.4
60	72	10.5	19.0
65	62	11.4	20.6
70	53	12.2	22.2
75	46	13.1	25.1
80	41	14.0	25.3
85	36	14.9	26.9
90	32	15.7	28.5
95	29	16.6	30.1
100	26	17.5	31.7

StudioSpot pot 575CMY Zoom Luminous Output



For Metric figures, read "Center Beam" values as in lux, and the throw and diameters will be in meters.
For US figures, read "Center Beam" values as in footcandles, and the throw and diameters will be in feet.

$$\text{Illuminance} = \frac{\text{Candela}}{\text{Distance}^2}$$

OPERATION

Pan: 370° Tilt: 255°

Zoom: 18° - 30°

Minimum Focus Range 1 meter

Software Upgrades

Control Options: DMX 512, On Board Programming/Playback, Time Code Sync, Internal Effects, Fixture TalkBack
Address Methods: LED Display, Fixture Talkback

Operating software may be downloaded from the High End Systems web site (www.highend.com), and uploaded using a High End Systems dongle.

Compliances

Studio Spot CMY is CE, CETL, and ETL compliant.

DMX Data Connectors

Standard 3-pin male and female XLR connectors

Environmental Tolerances

Maximum ambient temperature: 40°C (104° F)
Maximum winding temperature, Tw: 130°C (266° F)

Maximum exterior surface temperature: 200°C (392° F)

Maximum capacitor temperature, Tc: 85°C (185° F)

PART NUMBERS

Fixtures

- Studio Spot CMY Zoom Automated Spot Fixture, w/lamp

Lamps

55030052 - Studio Spot 575 Replacement Lamp, Philips MSR 575/2

55030050 - Studio Spot 575 Replacement Lamp, Philips MSD 575

Flight Cases

39070001 - Road Case, Studio Spot 575HC, Single Fixture

39070002 - Road Case, Studio Spot 575HC, Dual Fixtures

Accessories

26040002 - DMX Upload Dongle

DMX CHANNELS

Channel	Function	Channel	Function
1	Pan Coarse	13	Litho Wheel 2 Function
2	Pan Fine	14	Litho Wheel 2 Position
3	Tilt Coarse	15	Litho Wheel 2 Rotation High Byte
4	Tilt Fine	16	Litho Wheel 2 Rotation Low Byte
5	Color Wheel 1 Function	17	Zoom
6	Cyan	18	Focus
7	Magenta	19	Iris
8	Yellow	20	Shutter (mechanical strobe)
9	Litho Wheel 1 Function	21	Dim
10	Litho Wheel 1 Position	22	Motor Speed
11	Litho Wheel 1 Rotation High Byte	23	Factory Macros
12	Litho Wheel 1 Rotation Low Byte	24	Control

DMX Channels: 24
Fixtures per Universe: 21

Internal Preset Scene Memory: 1 bank, 16 scenes

COLOR WHEEL



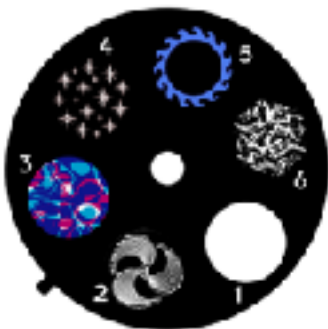
Studio Spot CMY features CMY subtractive color mixing.

LITHO WHEEL

Litho Wheel 1:

Position	Description	Replaceable
----------	-------------	-------------

- | | | |
|---|-----------------|-----|
| 1 | Open | No |
| 2 | Triwing | Yes |
| 3 | Lava | Yes |
| 4 | Hollywood Stars | Yes |
| 5 | Wavy Tunnel | Yes |
| 6 | Shatters | Yes |



Litho Wheel 2:

Position	Description	Replaceable
----------	-------------	-------------

- | | | |
|---|-------------------------|-----|
| 1 | Open | No |
| 2 | Lenticular Effect Glass | Yes |
| 3 | Slo Effect Glass | Yes |
| 4 | Building Blocks | Yes |
| 5 | Jax | Yes |
| 6 | Gatlin Gun | Yes |



Lithopatterns

Resolution: 3300 d.p.i.
Image area: 1.250 in ± 0.010 in (31.750 mm ± 0.25 mm)

Diameter: 1.435 in ± 0.006 in (36.449 mm ± 0.15 mm)
Thickness: 0.070 in ± 0.010 in (1.778 mm ± 0.25 mm)

Effects Glass

Diameter: 1.430 in ± 0.010 in (36.322 mm ± 0.25 mm)
Image Area: 1.250 in ± 0.010 in (31.750 mm ± 0.25 mm)

Thickness: 0.125 in ± 0.010 in (3.175 mm ± 0.25 mm)