

## MECHANICAL SPECIFICATIONS

### DIMENSIONS

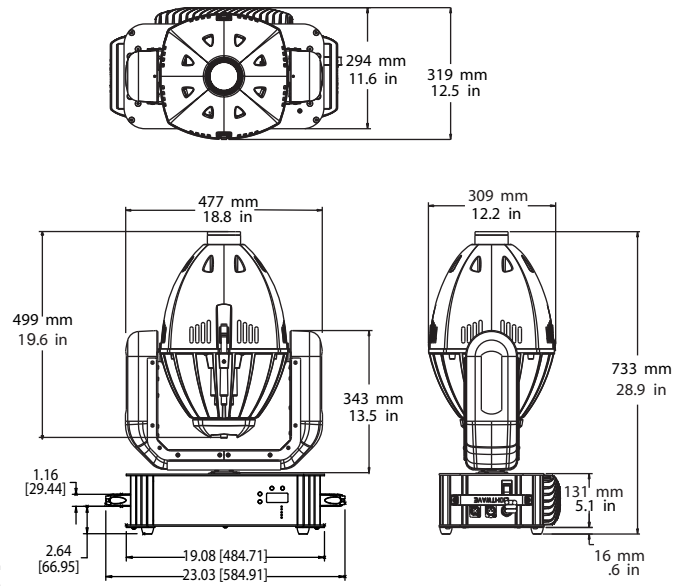
| FIXTURE                   | BOXED FOR SHIPPING      |
|---------------------------|-------------------------|
| in: 12.0 x 18.8 x 27.5    | in: 20 x 26 x 36        |
| mm: 305.0 x 477.7 x 713.3 | mm: 506 x 657 x 910     |
| Weight: 26.7 kg (58 lb)   | Weight: 37.2 kg (82 lb) |

### Mounting Information

Studio Spot CMY may be mounted by attaching suitable clamps with locking washers through the center holes on the base of the fixture. Cheeseborough truss clamps and ½" nut/boltsets may be purchased separately. Studio Spot CMY can also stand on its rubber feet on a sturdy, stable surface.

Colors available: Black

Turning Radius: 22 in (558 mm)

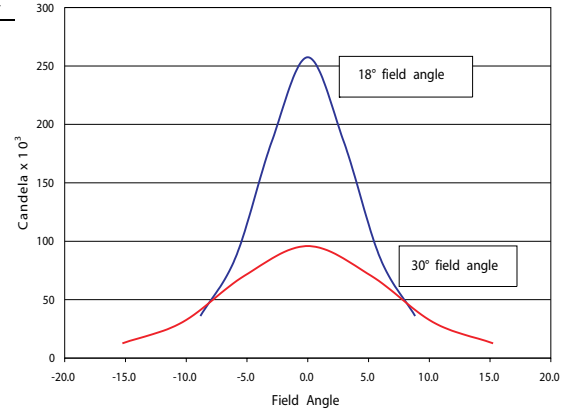


## ELECTRICAL SPECIFICATIONS / LIGHT SOURCE

|                   |   |            |
|-------------------|---|------------|
| Lamp              | MSR 575/2, or optional MSD 575 for longer lamp life |            |
| Power Consumption | 100V, 50HZ @ 7.0A                                   |            |
|                   | 230V, 50HZ @ 3.0A                                   |            |
|                   | 100V, 60HZ @ 7.0A                                   |            |
|                   | 230V, 60HZ @ 3.0A                                   |            |
| Rated Power       | 700W max  |            |
| Power Factor      | 0.96 @ 230V/50HZ                                    |            |
|                   | 0.99 @ 100V/60HZ                                    |            |
|                   | MSR 575/2   | MSD 575    |
| Lamp Life         | 500 - 750 hours                                     | 3000 hours |
| Color Temperature | 6200K   | 5600K      |

| Throw | Center Beam Candela | Beam Angle Degrees | Field Angle Degrees |
|-------|---------------------|--------------------|---------------------|
|       | 260,000             | 10                 | 18                  |
|       | Center Beam         | Beam Diameter      | Field Diameter      |
| 5     | 10400               | 0.9                | 1.6                 |
| 10    | 2600                | 1.7                | 3.2                 |
| 15    | 1156                | 2.6                | 4.8                 |
| 20    | 650                 | 3.5                | 6.3                 |
| 25    | 416                 | 4.4                | 7.9                 |
| 30    | 289                 | 5.2                | 9.5                 |
| 35    | 212                 | 6.1                | 11.1                |
| 40    | 163                 | 7.0                | 12.7                |
| 45    | 128                 | 7.9                | 14.3                |
| 50    | 104                 | 8.7                | 15.8                |
| 55    | 86                  | 9.6                | 17.4                |
| 60    | 72                  | 10.5               | 19.0                |
| 65    | 62                  | 11.4               | 20.6                |
| 70    | 53                  | 12.2               | 22.2                |
| 75    | 46                  | 13.1               | 25.1                |
| 80    | 41                  | 14.0               | 25.3                |
| 85    | 36                  | 14.9               | 26.9                |
| 90    | 32                  | 15.7               | 28.5                |
| 95    | 29                  | 16.6               | 30.1                |
| 100   | 26                  | 17.5               | 31.7                |

Studio Spot 575 Zoom Luminous Output



For Metric figures, read "Center Beam" values as in lux, and the throw and diameters will be in meters.  
For US figures, read "Center Beam" values as in footcandles, and the throw and diameters will be in feet.

$$\text{Illuminance} = \frac{\text{Candela}}{\text{Distance}^2}$$

## OPERATION

|                          |  |   |
|--------------------------|--|---|
| Pan: 370° Tilt: 255°     | Control Options: DMX 512, On Board Programming/Playback, Time Code Sync, Internal Effects, Fixture TalkBack                                |   |
| Zoom: 18° - 30°          | Address Methods: LED Display, Fixture Talkback   |   |
| Minimum Focus Range      | 1 meter  |   |
| Software Upgrades        | Operating software may be downloaded from the High End Systems web site ( www.highend.com ), and uploaded using a High End Systems dongle. |   |
| Compliances              | Studio Spot CMY is CE, CETL, and ETL compliant.  |   |
| DMX Data Connectors      | Standard 3-pin male and female XLR connectors  |   |
| Environmental Tolerances | Maximum ambient temperature: 40°C (104° F)   | Maximum exterior surface temperature: 200°C (392°F) |
|                          | Maximum winding temperature, Tw: 130°C (266°F)   | Maximum capacitor temperature, Tc: 85°C (185°F)     |

## PART NUMBERS

|          |   |
|----------|---|
| Fixtures | - Studio Spot CMY Zoom Automated Spot Fixture, w/lamp |
| Lamps    |   |
| 55030052 | - Studio Spot 575 Replacement Lamp, Philips MSR 575/2 |
| 55030050 | - Studio Spot 575 Replacement Lamp, Philips MSD 575   |

|              |  |
|--------------|--|
| Flight Cases |  |
| 39070001     | - Road Case, Studio Spot 575HC, Single Fixture |
| 39070002     | - Road Case, Studio Spot 575HC, Dual Fixtures  |
| Accessories  |  |
| 26040002     | - DMX Upload Dongle                            |

## DMX CHANNELS

| Channel | Function                         | Channel | Function                         |
|---------|----------------------------------|---------|----------------------------------|
| 1       | Pan Coarse                       | 13      | Litho Wheel 2 Function           |
| 2       | Pan Fine                         | 14      | Litho Wheel 2 Position           |
| 3       | Tilt Coarse                      | 15      | Litho Wheel 2 Rotation High Byte |
| 4       | Tilt Fine                        | 16      | Litho Wheel 2 Rotation Low Byte  |
| 5       | Color Wheel 1 Function           | 17      | Zoom                             |
| 6       | Cyan                             | 18      | Focus                            |
| 7       | Magenta                          | 19      | Iris                             |
| 8       | Yellow                           | 20      | Shutter (mechanical strobe)      |
| 9       | Litho Wheel 1 Function           | 21      | Dim                              |
| 10      | Litho Wheel 1 Position           | 22      | Motor Speed                      |
| 11      | Litho Wheel 1 Rotation High Byte | 23      | Factory Macros                   |
| 12      | Litho Wheel 1 Rotation Low Byte  | 24      | Control                          |

DMX Channels: 24  
 Fixtures per Universe: 21

Internal Preset Scene Memory: 1 bank, 16 scenes

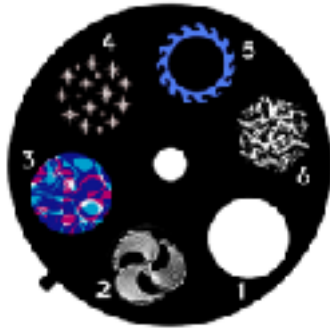
## COLOR WHEEL

| Color Wheel 1: |             |             | Color Wheel 2: |             |             |
|----------------|-------------|-------------|----------------|-------------|-------------|
| Position       | Description | Replaceable | Position       | Description | Replaceable |
| 1              | Open        | No          | 1              | Open        | No          |
| 2              | Yellow      | Yes         | 2              | Cyan        | Yes         |
| 3              | CTO         | Yes         | 3              | Light Cyan  | Yes         |
| 4              | Aqua        | Yes         | 4              | Indigo      | Yes         |
| 5              | Pink        | Yes         | 5              | Pink        | Yes         |
| 6              | Magenta     | Yes         | 6              | Magenta     | Yes         |

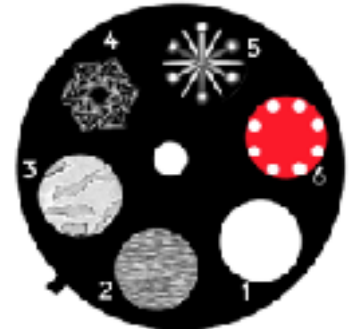
Dichroic Glass Diameter: 1.745 in ± 0.010 in (44.323 mm ± 0.25 mm)  
 Thickness: 0.070 in ± 0.010 in (1.778 mm ± 0.25 mm)

## LITHO WHEEL

| Position | Description     | Replaceable |
|----------|-----------------|-------------|
| 1        | Open            | No          |
| 2        | Triwing         | Yes         |
| 3        | Lava            | Yes         |
| 4        | Hollywood Stars | Yes         |
| 5        | Wavy Tunnel     | Yes         |
| 6        | Shatters        | Yes         |



| Position | Description             | Replaceable |
|----------|-------------------------|-------------|
| 1        | Open                    | No          |
| 2        | Lenticular Effect Glass | Yes         |
| 3        | Slo Effect Glass        | Yes         |
| 4        | Building Blocks         | Yes         |
| 5        | Jax                     | Yes         |
| 6        | Gatlin Gun              | Yes         |



Lithopatterns Resolution: 3300 d.p.i. Diameter: 1.435 in ± 0.006 in (36.449 mm ± 0.15 mm)  
 Image area: 1.250 in ± 0.010 in (31.750 mm ± 0.25 mm) Thickness: 0.070 in ± 0.010 in (1.778 mm ± 0.25 mm)

Effects Glass Diameter: 1.430 in ± 0.010 in (36.322 mm ± 0.25 mm) Thickness: 0.125 in ± 0.010 in (3.175 mm ± 0.25 mm)  
 Image Area: 1.250 in ± 0.010 in (31.750 mm ± 0.25 mm)