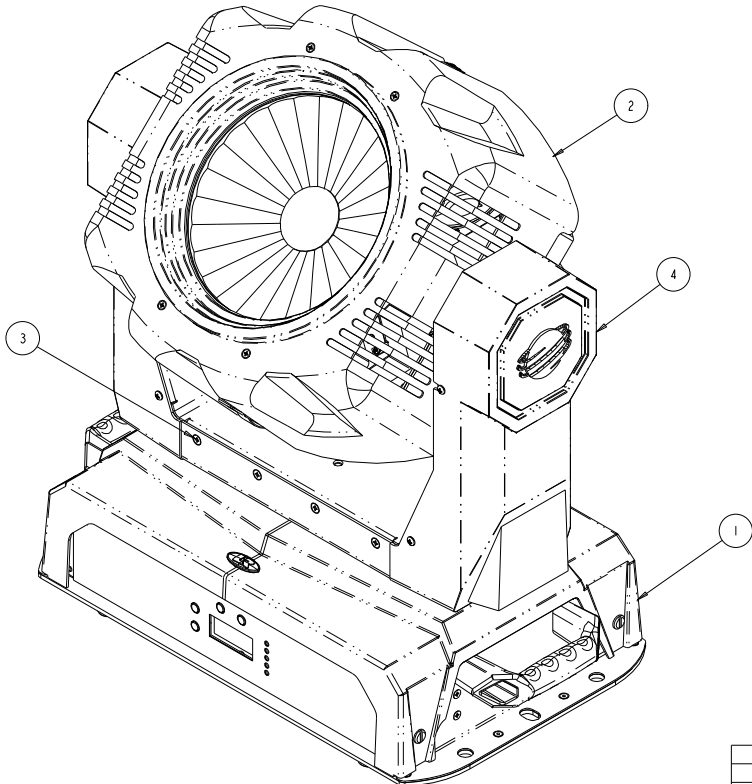


KXA001

REV.	DESCRIPTION	DATE	ENG	ECO #	APPR
1	CREATE DRAWING	03MAY06	LR		



ANCILLARY DRAWING

4	1	KXA003	NA	1	YOKE ASSEMBLY, S-CMD-1200
3	8	SCREW8-18PFB380	90711034	.	SCREW, #8 PHIL FLAT UC 3/8 B TYPE BZ
2	1	KXA004	NA	1	ASSY, HEAD, COMPLETE, S-CMD-1200
1	1	KXA002	NA	1	ASSY, ELECTRONICS ENCLOSURE S-CMD-1200W
ITEM NO.	QTY.	FILENAME	PART NO.	REV	DESCRIPTION

BILL OF MATERIALS

UNLESS OTHERWISE SPECIFIED	RELEASE DATE:	CE:	2105 GRACY FARMS LANE AUSTIN, TEXAS 78758 (512) 836-2242 FAX (512) 832-4128 ***** http://www.highend.com	
DIMENSIONAL TOLERANCES:	ENG:	OA:		
0 PLACE DECIMAL = ±0.38	ME:	DRW: M. BELL		
1 PLACE DECIMAL = ±0.25	MEG:			
2 PLACE DECIMALS = ±0.13	ANGLES = ±0.5°	DESCRIPTION:	FINISH: NA	
FOR PAINTED PARTS REFER TO ENG. SPEC. MANUAL WI-0582	MATERIAL:	ASSY, TOP LEVEL FIXTURE, S-CMD-1200		
ALL COMPONENTS, MATERIALS AND FINISHES TO BE R6HS COMPLIANT	CHARTED	PART NO. NA		
WIN. DRAFT	INTERPRET DIMENSIONS PER		DRAWING NO. KXA001	
WIN. RADII	ASME Y14.5M-1994		REV. 1	
FLATNESS	THIRD ANGLE PROJECTION		DO NOT SCALE	
THICKNESS	DIMENSIONS ARE IN MILLIMETERS	SCALE: 0.500		SHEET: 1 OF 1
VOLUME				

PROPRIETARY NOTICE: THIS DOCUMENT CONTAINS CONFIDENTIAL AND PROPRIETARY INFORMATION OF HIGH END SYSTEMS INC., (ALSO DBA LIGHTWAVE RESEARCH) AND IS GIVEN TO THE RECEIVER IN CONFIDENCE. THE RECEIVER ACCEPTS AND AGREES THAT, EXCEPT AS AUTHORIZED BY HIGH END SYSTEMS, THE RECEIVER WILL NOT PERMIT THE USE OF THE DOCUMENT OR ANY COPY THEREOF OR THE INFORMATION THEREIN; WILL NOT COPY OR PERMIT COPYING THE DOCUMENT OR THE INFORMATION THEREIN; AND WILL UPON COMPLETION OF THE NEED TO RETAIN THE DOCUMENT, OR UPON DEMAND, RETURN THE DOCUMENT WITHOUT RETAINING ANY OF THE INFORMATION CONTAINED THEREIN IN ANY FORM WHATSOEVER.