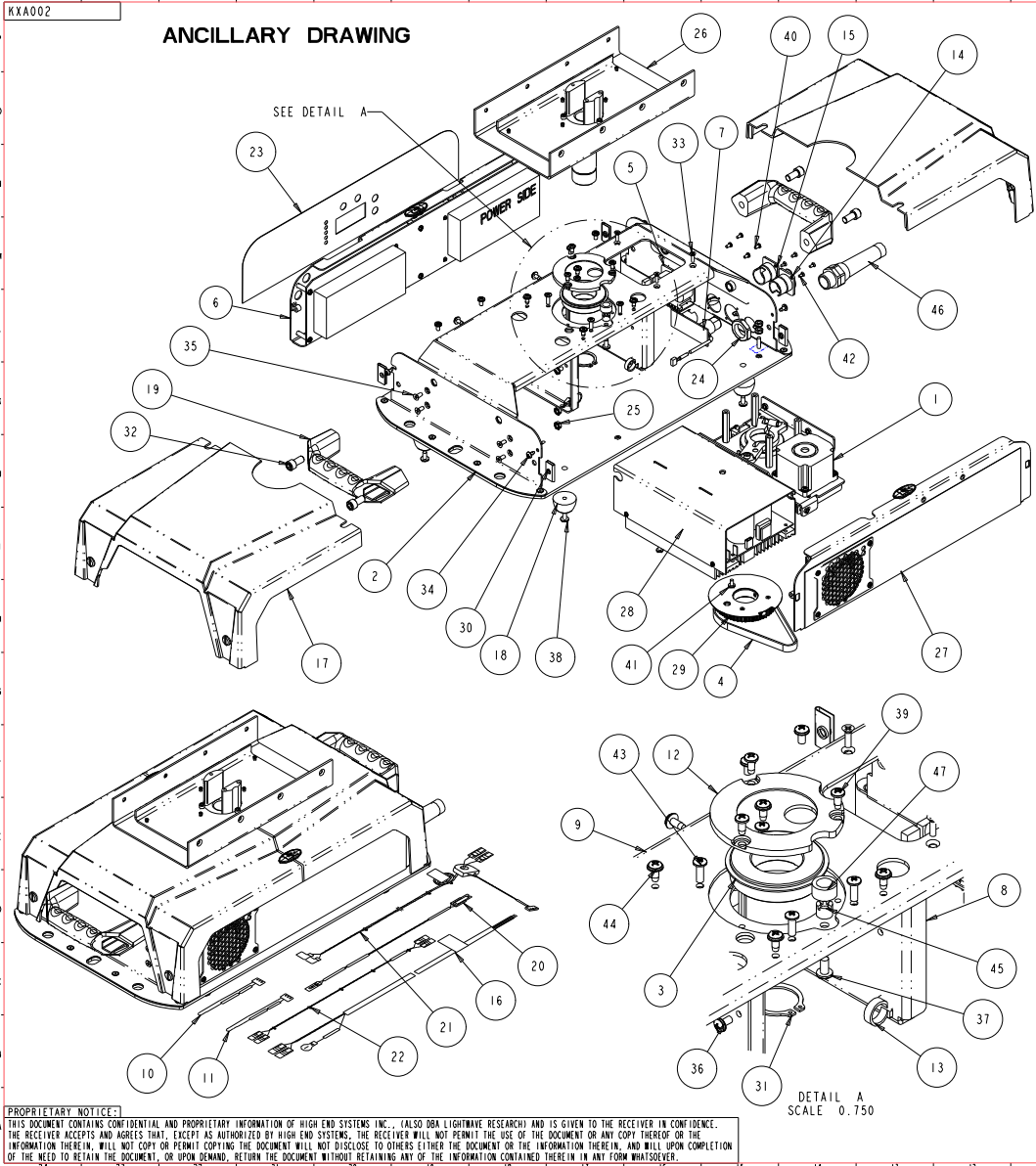


ANCILLARY DRAWING



REV.	DESCRIPTION	DATE	ENG	ECO #	APPR
1	CREATE DRAWING	01MAY06	LR		

ITEM NO.	QTY.	FILENAME	PART NO.	REV	DESCRIPTION
47	1	SY416	90717022	1	TUBING, 3/8 SAE 30R7 FUEL/EMIS
46	1	STRAIN_RELIEF	90414008	.	STRAIN RELIEF, POWERGRIP BLK CL/CX
45	1	SW333	90702154	-	STANDOFF, 10-32 X .375 OD THD SLOTTED
44	6	SCREW8-18PPW380B	90709142	.	SCREW,#8 PHIL PAN 3/8 B W/STAR WASHER
43	4	SCREW8-32PP500BZ	90709090	1	SCREW, PHIL PAN 8-32 X 1/2 M/S BZ
42	4	SCREW4-20PFU250BZ	90711010	.	SCREW, PHIL FLAT #4 X 1/4 TYPE B U/C BZ
41	2	UPHWD.06	UP90120	.	SCREW, M4 PHIL PAN 08 SEMS
40	4	SCREW3PP06BZ	90709143	.	SCREW, M3 PHIL PAN 6MM BZ
39	3	SCREW8-18PPB380BZ	90709128	-	SCREW, #8 PHIL PAN 3/8 B TYPE BZ
38	4	SCREW10-32PPW0313S2	90709181	.	SCREW, 10-32 PHIL PAN 5/16 MS CS SZ SWE
37	1	SCREW10-32PP380SS	90709148	-	SCREW, 10-32 PHIL PAN 3/8 SS
36	12	SCREW8-32PPW313BZ	90709136	.	SCREW, 8-32 PHIL PAN 5/16 BZ W/STAR WSHR
35	4	SCREW8-32PFU380S	90709141	.	SCREW, 8-32 PHIL FLAT UC 3/8 BZ PATCH
34	4	SCREW6-32PT312BZP	90711048	.	SCREW, 6-32 PHIL TRUSS 5/16 CS BZ PATCH
33	3	SCREW6-32PF0500S2	90711047	.	SCREW, 6-32 PHIL FLAT 1/2 SZ
32	4	SCREWS_16-24AC62SN	90707028	.	SCREW 5/16-24 SOCKET CAP 5/8 ALLOY NICKEL
31	1	RING1000EXT	90701071	1	RETAINER, RING ZINC YELLOW (1.00 ID)
30	4	RECEPT250CLIP-ON	90701099	.	RECEPTICLE, CLIP-ON NARROW FLANGE
29	1	KTA010	NA	1	PULLEY, 4BT / FLANGE ASSY, S-CMD
28	1	PSA003-2	80050081	-	POWER SUPPLY, HIGH FREQ. 1200W (PWR GEMS)
27	1	KXA011	NA	2	PANEL ASSY, FAN SIDE S-CMD-1200
26	1	KSA022	NA	2	PAN TUBE ASSY, S-CMD
25	6	NUT8-32KEP	90703023	-	NUT, KEPS 8-32 KEPS NUT SZ
24	1	NUT500NPT_NYLON	90703030	.	NUT, 1/2 NPT STRAIN RELIEF CYBER, CX
23	1	KS459	99310429	-	LABEL, FRONT PANEL, S-CMD-1200
22	1	KS716	90409250	.	HARNESS, LINE FILTER/BALLAST S-CMD-1200
21	1	KS714	90409248	.	HARNESS, LAMP TO PWR, S-CMD-1200
20	1	KS715	90409249	.	HARNESS, IGNITOR PULSE TRIGGER
19	2	KS205	90720009	A	HANDLE, ELECTRONIC ENCLOSURE S-CMD
18	4	RUBBER_FT	90410089	.	FOOT, RUBBER STC/NH LONG
17	2	KSA033	NA	1	COVER ASSY, ELECTRONIC ENCLOSURE
16	1	KS717	90409248	.	CORD, AC POWER ASSY SEOW 16/3 S-CMD-1200
15	1	CONN_DHNF_M-HSNG	90404002	.	CONNECTOR, DHNF MALE HOUSING, BLK
14	1	CONN_DHNF_F-HSNG	90404001	.	CONNECTOR, DHNF BAG F HOUSING BLACK
13	2	WIRE_TIE_SNAP	90701082	.	CLIP, SNAP (.50 ID)
12	1	SP465	99260447	A	CAP BRG SUPRT 910PPG, DIECAST, MACHINED
11	1	KT711EF_2	90409260EF	.	CABLE, SENSOR JUMPER S-CMD SENS 2
10	1	KT711EF_1	90409245EF	.	CABLE, SENSOR JUMPER S-CMD SENS 1
9	1	KS168	99260490	-	BRACKET, PAN SUPPORT S-CMD-1200
8	1	SW155	99260285	D	BRACKET, PAN BEARING MOUNT STUDIO BEAM
7	1	TB318	80010081	.	BOARD, ASSY XLR CONNECTOR
6	1	KSA025	80010198	2	BOARD, ASSY LOGIC S-CMD TESTED
5	1	SYA025	-	.	BOARD ASM, 5-PIN XLR
4	1	BELT2P_375W_68TOOTH	99360006	.	BELT, TIMING .2P 3/8"W 67 TOOTH STC
3	1	9106PPG	90719007	1	BEARING, TECH 6006-2RSNR STC
2	1	SWA058	80071435	C	BASEPLATE / SIDE PANEL, ASSY
1	1	SWA176	NA	6	ASSY, LOWER BEARING, STUDIO BEAM

UNLESS OTHERWISE SPECIFIED:
 DIMENSIONAL TOLERANCES:
 0 PLACE DECIMAL = ±0.38
 1 PLACE DECIMAL = ±0.25
 2 PLACE DECIMALS = ±0.13
 ANGLES = ±0.5°

RELEASE DATE: _____
 CE: _____
 OA: _____
 MFG: _____
 DRW: LARRY R

High End 2105 GRACY FARMS LANE
 AUSTIN, TEXAS 78758
 (512) 836-2242
 FAX (512) 832-4128
 http://www.highend.com

Lightwave RESEARCH

FOR PAINTED PARTS REFER TO ENG. SPEC. MANUAL WI-0592
 ALL COMPONENTS, MATERIALS AND FINISHES TO BE R6HS COMPLIANT

DESCRIPTION: ASSY, ELECTRONICS ENCLOSURE S-CMD-1200W
 MATERIAL: CHARTED
 FINISH: NA

MIN. DRAFT _____
 MIN. RADII _____
 FLATNESS _____
 THICKNESS _____
 VOLUME _____

INTERPRET DIMENSIONS PER ASME Y14.5M-1994
 THIRD ANGLE PROJECTION
 DIMENSIONS ARE IN MILLIMETERS

SI METRIC A1

PART NO. NA
 DRAWING NO. KXA002
 REV. 1

DO NOT SCALE SCALE: 0.350 SHEET: 1 OF 1

PROPRIETARY NOTICE: THIS DOCUMENT CONTAINS CONFIDENTIAL AND PROPRIETARY INFORMATION OF HIGH END SYSTEMS INC., (ALSO DBA LIGHTWAVE RESEARCH) AND IS GIVEN TO THE RECEIVER IN CONFIDENCE. THE RECEIVER ACCEPTS AND AGREES THAT, EXCEPT AS AUTHORIZED BY HIGH END SYSTEMS, THE RECEIVER WILL NOT PERMIT THE USE OF THE DOCUMENT OR ANY COPY THEREOF OR THE INFORMATION THEREIN, WILL NOT COPY OR PERMIT COPYING THE DOCUMENT, WILL NOT DISCLOSE TO OTHERS EITHER THE DOCUMENT OR THE INFORMATION THEREIN, AND WILL UPON COMPLETION OF THE NEED TO RETURN THE DOCUMENT, OR UPON DEMAND, RETURN THE DOCUMENT WITHOUT RETAINING ANY OF THE INFORMATION CONTAINED THEREIN IN ANY FORM WHATSOEVER.