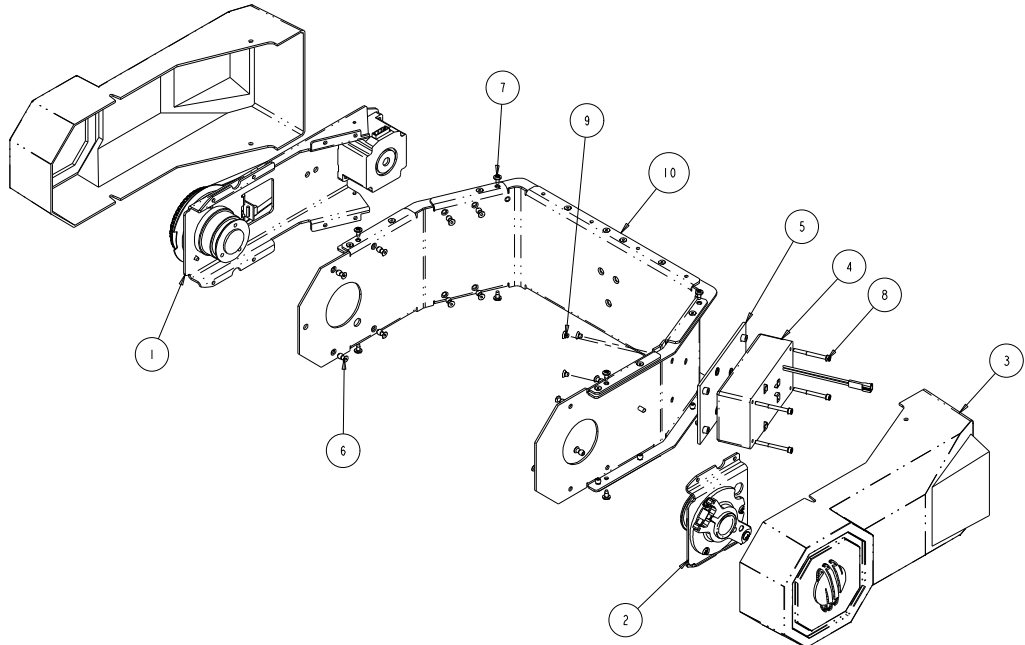


KXA003

REV.	DESCRIPTION	DATE	ENG	ECO #	APPR
1	CREATE DRAWING	24APR06	LR		



ITEM NO.	QTY.	FILENAME	PART NO.	REV	DESCRIPTION
10	1	KSA014	80071883	-	YOKE, ASSY RIVETED S-CMD
9	3	SCREW8-32PFU188BZ	90711057	.	SCREW, 8-32 PHIL FLAT UC 3/16 BP
8	4	SCREW6-32AC1500SS	90707125	.	SCREW, 6-32 SOCKET CAP 1.5 SS
7	8	SCREW6-32PT312BZP	90711048	.	SCREW, 6-32 PHIL TRUSS 5/16 CS BZ PATCH
6	12	RIVET-AK54ABS_B	90701161	-	RIVET, 54 COUNTERSUNK BLACK PAINT
5	1	KS162	99080275	-	PLATE, IGNITOR MOUNT S-CMD-1200
4	1	KX426	80470219EF	-	IGNITOR, 1200 WATT HI-FREQ PS, PWR GEMS
3	2	KS202	99080264	B	COVER, YOKE S-CMD
2	1	KSA012	NA	I	BEARING, ASSY TILT DAMPER SIDE S-CMD
1	1	KTA013	NA	I	ASSY, TILT MOTOR BRACKET

BILL OF MATERIALS

UNLESS OTHERWISE SPECIFIED: DIMENSIONAL TOLERANCES: 0 PLACE DECIMAL = ±0.38 1 PLACE DECIMAL = ±0.25 2 PLACE DECIMALS = ±0.13 ANGLES = ±0.5°	RELEASE DATE:	CE:	High End	2105 GRACY FARMS LANE AUSTIN, TEXAS 78758 (512) 836-2242 FAX (512) 832-4128 ***** http://www.highend.com	
FOR PAINTED PARTS REFER TO ENG. SPEC. MANUAL WI-0582	MATERIAL:	FINISH:	DRW: L.ROESSLER		
ALL COMPONENTS, MATERIALS AND FINISHES TO BE R6HS COMPLIANT	CHARTED	NA	DESCRIPTION: YOKE ASSEMBLY, S-CMD-1200		
MIN. DRAFT	MIN. RADIUS	MIN. FLATNESS	MIN. THICKNESS	MIN. VOLUME	INTERPRET DIMENSIONS PER ASME Y14.5M-1994 THIRD ANGLE PROJECTION DIMENSIONS ARE IN MILLIMETERS
PART NO. NA		DRAWING NO. KXA003		REV. 1	SCALE: 0.400
DO NOT SCALE		SCALE: 0.400		SHEET: 1 OF 1	

PROPRIETARY NOTICE:
THIS DOCUMENT CONTAINS CONFIDENTIAL AND PROPRIETARY INFORMATION OF HIGH END SYSTEMS INC., (ALSO DBA LIGHTWAVE RESEARCH) AND IS GIVEN TO THE RECEIVER IN CONFIDENCE. THE RECEIVER ACCEPTS AND AGREES THAT, EXCEPT AS AUTHORIZED BY HIGH END SYSTEMS, THE RECEIVER WILL NOT PERMIT THE USE OF THE DOCUMENT OR ANY COPY THEREOF OR THE INFORMATION THEREIN; WILL NOT COPY OR PERMIT COPYING THE DOCUMENT OR THE INFORMATION THEREIN; AND WILL UPON COMPLETION OF THE NEED TO RETAIN THE DOCUMENT, OR UPON DEMAND, RETURN THE DOCUMENT WITHOUT RETAINING ANY OF THE INFORMATION CONTAINED THEREIN IN ANY FORM WHATSOEVER.