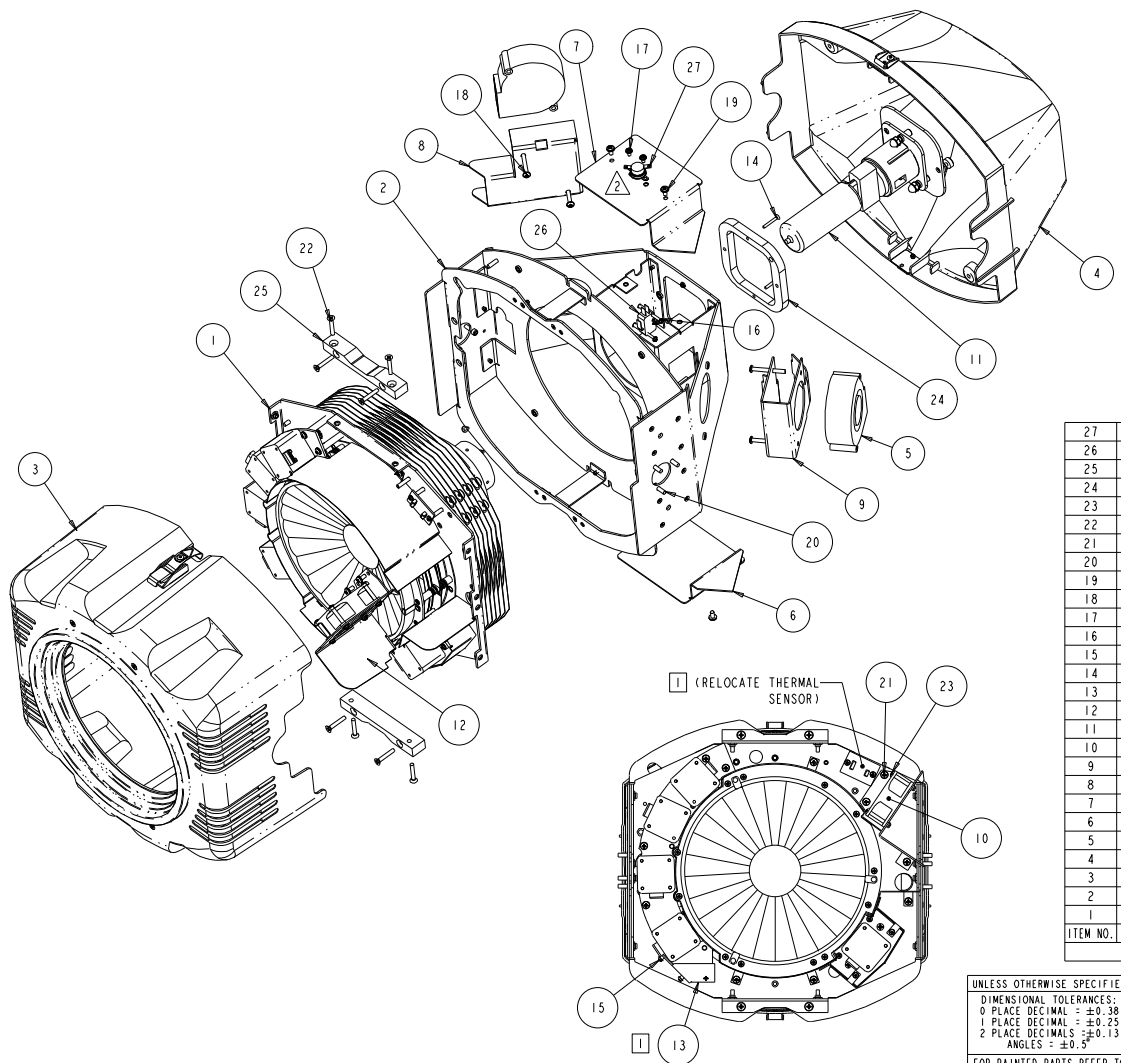


REV.	DESCRIPTION	DATE	ENG	ECO #	APPR
1	CREATE DRAWING	02MAY06	LR		
2	ADD THERMAL SWITCH + HARDWARE	03MAY06	MB		



1 RELOCATE THERMAL SENSOR BOARD FROM ORIGINAL VENDOR LOCATION TO THERMAL SENSOR MOUNT USING SCREWS SHOWN. DISCARD (2X) SENSOR MOUNTING SCREWS PROVIDED BY VENDOR.

ITEM NO.	QTY.	FILENAME	PART NO.	REV.	DESCRIPTION
27	1	SWITCH_THERM_120C	90413011	.	SWITCH, THERMAL, 120C NORMALLY OPEN
26	1	SWITCH_CHERRY_KWECOACF	90405325EF	.	SWITCH, SNAP-ACTION .1 AMP 125VAC 150C
25	2	KS303	80071891	A	SUPPORT, FRAME ATTACH, CLR MOD S-CMD
24	1	KS316	80070405	-	SPACER, OFFSET, LAMP ADJUST, 1200W
23	4	SCREWM4PP30SZ	91520430	.	SCREW, M4 PHIL PAN 30 SZ
22	8	SCREWM4PF25SS	90709200	.	SCREW, M4 PHIL PAN 25.4 SS
21	3	UPHWD_06	UP90120	.	SCREW, M4 PHIL PAN 08 SEMS
20	6	SCREW8-32AC500BZP	90707031	.	SCREW, 8-32 SOCKET CAP 1/2 BZ PATCH
19	4	SCREW8-32PPW313BZ	90709136	.	SCREW, 8-32 PHIL PAN 5/16 BZ W/STAR WSHR
18	4	SCREW8-32PP1500BZ	90709199	.	SCREW, 8-32 PHIL PAN 1.50 M/S BZ
17	2	SCREW6-32PPW250BZ	90709101	.	SCREW, 6-32 PHIL PAN 1/4 MS SBZ STARWSHR
16	2	SCREW4-40PPW625SZ	90709173	.	SCREW, 4-40 PHIL PAN 5/8 MS CS CZ SWE
15	2	SCREW4-40PPW0312BZ	90709118	.	SCREW, 4-40 PHIL PAN 5/16 BZ SEMS
14	2	SCREW4-40PF8755SZP	90711043	.	SCREW, 4-40 PHIL FLAT 7/8 SZ PATCH
13	1	KSI65	80070412	A	MOUNT, THERMAL SENSOR, HEAD S-CMD
12	1	KSI147	80070404	-	MOUNT, FAN, CONTOURED CLR SYSTEM S-CMD
11	1	KXA027	NA	I	LAMP ADJUST ASSEMBLY, S-CMD-1200
10	1	KS706	80270031	A	FAN ASSY, 24V DC 60MM
9	1	KS119	80071886	-	DUCT, LAMP PLENUM, S-CMD
8	1	KS123	80071889	-	DUCT, COLOR MODULE S-CMD
7	1	KT121	80070403	-	COVER, LAMP PLENUM, TOP, S-CMD-H
6	1	KS122	80071888	A	COVER, LAMP PLENUM, BOTTOM, S-CMD
5	2	KT705	80275033	-	BLOWER ASSY 24v 75 X 75 X 30mm
4	1	KSA020	80450086	-	BEZEL, REAR ASSY S-CMD SVC
3	1	KSA019	80450085	-	BEZEL, FRONT ASSY S-CMD SVC
2	1	KSA015	80071885	C	ASSY, HEAD FRAME, RIVETED, S-CMD
1	1	KSA005	80570033	G	ASSY, COLOR MODULE S-CMD

BILL OF MATERIALS

FRONT VIEW
(COVERS REMOVED)

UNLESS OTHERWISE SPECIFIED:	RELEASE DATE:	CE:	High End	2105 GRACY FARMS LANE AUSTIN, TEXAS 78758	
DIMENSIONAL TOLERANCES:	ENG:	OA:		(512) 836-2242	
0 PLACE DECIMAL = ±0.38	ME:			FAK (512) 832-4128	
1 PLACE DECIMAL = ±0.25	MEG:	DRW: LARRY R	*****	http://www.highend.com	
2 PLACE DECIMALS = ±0.13	ANGLES = ±0.5°	DESCRIPTION:	ASSY, HEAD, COMPLETE, S-CMD-1200		
FOR PAINTED PARTS REFER TO ENG. SPEC. MANUAL WI-0592	MATERIAL:	FINISH:	NA		
MIN. DRAFT	CHARTED				
MIN. RADII	INTERPRET DIMENSIONS PER ASME Y14.5M-1994	PART NO.	NA	DRAWING NO.	KXA004
FLATNESS	THIRD ANGLE PROJECTION				REV. 1
THICKNESS	DIMENSIONS ARE IN MILLIMETERS				
VOLUME			DO NOT SCALE	SCALE: 0,380	SHEET: 1 OF 1

PROPRIETARY NOTICE:
THIS DOCUMENT CONTAINS CONFIDENTIAL AND PROPRIETARY INFORMATION OF HIGH END SYSTEMS INC., (ALSO DBA LIGHTWAVE RESEARCH) AND IS GIVEN TO THE RECEIVER IN CONFIDENCE. THE RECEIVER ACCEPTS AND AGREES THAT, EXCEPT AS AUTHORIZED BY HIGH END SYSTEMS, THE RECEIVER WILL NOT PERMIT THE USE OF THE DOCUMENT OR ANY COPY THEREOF OR THE INFORMATION THEREIN, WILL NOT COPY OR PERMIT COPYING THE DOCUMENT, WILL NOT DISCLOSE TO OTHERS EITHER THE DOCUMENT OR THE INFORMATION THEREIN, AND WILL UPON COMPLETION OF THE NEED TO RETAIN THE DOCUMENT, OR UPON DEMAND, RETURN THE DOCUMENT WITHOUT RETAINING ANY OF THE INFORMATION CONTAINED THEREIN IN ANY FORM WHATSOEVER.