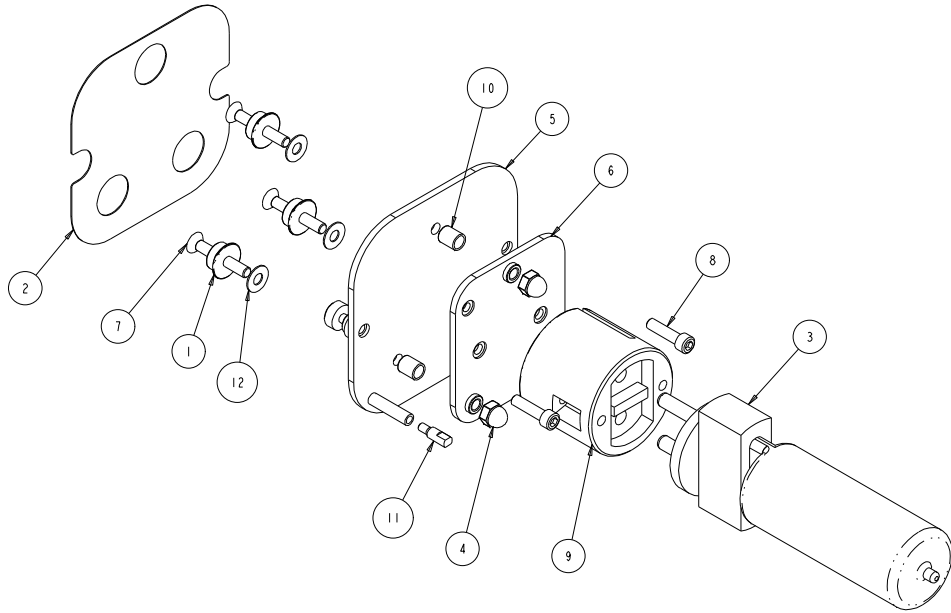


KXA027

| REV. | DESCRIPTION | DATE | ENG | ECO # | APPR |
|------|----------------|---------|-----|-------|------|
| I | CREATE DRAWING | 02MAY06 | LR | | |



| ITEM NO. | QTY. | FILENAME | PART NO. | REV | DESCRIPTION |
|----------|------|----------------------|----------|-----|--|
| 12 | 3 | KS319 | 90706131 | - | WASHER, LAMP ADJUST KNOB, S-CMD-1200 |
| 11 | 1 | KS317 | 90702261 | - | STANDOFF, LAMP EXTENSION S-CMD-1200 |
| 10 | 3 | SPRING301D_1000LG_SS | 90701210 | . | SPRING, COMPRESSION, .30 OD x 1.0 L SS |
| 9 | 1 | SOCKET_G22_LAMP | 99150023 | . | SOCKET, LAMP G22, 20 AMP 350C |
| 8 | 2 | SCREW10-32AC1000S | 90707083 | . | SCREW, SOCKET CAP 10-32 X 1 IN. SS MS |
| 7 | 3 | SCREW10-32PF125SS | 90711058 | . | SCREW, 10-32 PHIL FLAT HEAD 1.25 SS |
| 6 | 1 | KS124 | 99080269 | - | PLATE, LAMP ADJUST, S-CMD |
| 5 | 1 | KS125 | 80071884 | - | PANEL, LAMP ACCESS, S-CMD |
| 4 | 3 | NUT10-32ACORN | 90703016 | . | NUT, ACORN NUT 10-32 LOW CROWN SZ |
| 3 | 1 | LAMP1200MSR | 55030077 | . | LAMP, MSR 1200, HID, 5900CT |
| 2 | 1 | KS453 | 99310423 | - | LABEL, LAMP ADJUST CAP, S-CMD |
| 1 | 3 | KS333 | 90410152 | A | KNOB, KNURLED S-CMD-1200 |

BILL OF MATERIALS

| | | | | | |
|--|--|--------------|----------------|--|--|
| UNLESS OTHERWISE SPECIFIED: DIMENSIONAL TOLERANCES: 0 PLACE DECIMAL = ±0.38 1 PLACE DECIMAL = ±0.25 2 PLACE DECIMALS = ±0.13 ANGLES = ±0.5° | RELEASE DATE: | CE: | High End | 2105 GRACY FARMS LANE AUSTIN, TEXAS 78758 (512) 836-2242 FAX (512) 832-4128 http://www.highend.com | |
| FOR PAINTED PARTS REFER TO ENG. SPEC. MANUAL WI-0582 | MATERIAL: | FINISH: | | | |
| ALL COMPONENTS, MATERIALS AND FINISHES TO BE R6HS COMPLIANT | CHARTED | NA | | | |
| MIN. DRAFT | INTERPRET DIMENSIONS PER ASME Y14.5M-1994 | PART NO. | DRAWING NO. | REV. | |
| MIN. RADI | THIRD ANGLE PROJECTION | NA | KXA027 | I | |
| FLATNESS | DIMENSIONS ARE IN MILLIMETERS | DO NOT SCALE | SCALE: 1:1.000 | SHEET: 1 OF 1 | |
| TRICENESS | | | | | |
| VOLUME | | | | | |

PROPRIETARY NOTICE:
THIS DOCUMENT CONTAINS CONFIDENTIAL AND PROPRIETARY INFORMATION OF HIGH END SYSTEMS INC., (ALSO DBA LIGHTWAVE RESEARCH) AND IS GIVEN TO THE RECEIVER IN CONFIDENCE. THE RECEIVER ACCEPTS AND AGREES THAT, EXCEPT AS AUTHORIZED BY HIGH END SYSTEMS, THE RECEIVER WILL NOT PERMIT THE USE OF THE DOCUMENT OR ANY COPY THEREOF OR THE INFORMATION THEREIN, WILL NOT COPY OR PERMIT COPYING THE DOCUMENT OR THE INFORMATION THEREIN, AND WILL UPON COMPLETION OF THE NEED TO RETAIN THE DOCUMENT, OR UPON DEMAND, RETURN THE DOCUMENT WITHOUT RETAINING ANY OF THE INFORMATION CONTAINED THEREIN IN ANY FORM WHATSOEVER.