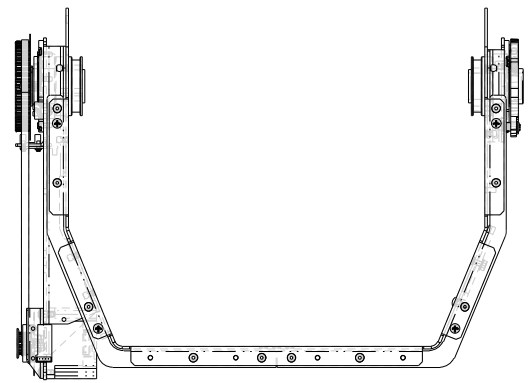
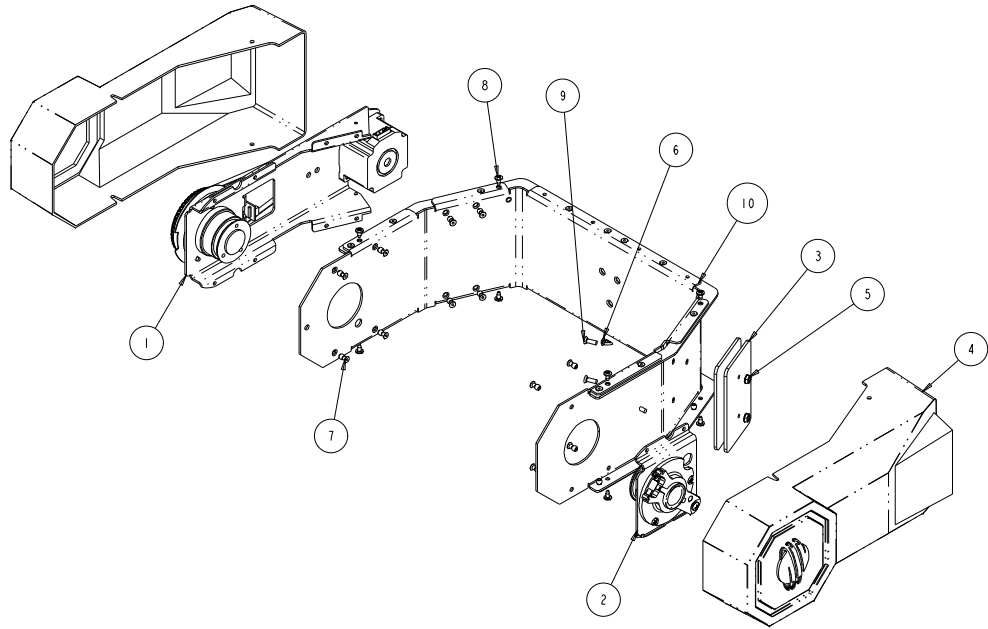


KHA003

REV.	DESCRIPTION	DATE	ENG	ECO #	APPR
1	CREATE DRAWING	24APR06	LR		



SCALE 0.500  
(COVERS REMOVED)

ITEM NO.	QTY.	FILENAME	PART NO.	REV	DESCRIPTION
10	1	KSA014	80071883	-	YOKE, ASSY RIVETED S-CMD
9	2	SCREW8-32PFU500BZ	90709185	-	SCREW, 8-32 x 1/2, PHIL, UC, CS BZ, PATCH
8	8	SCREW6-32PHIL-TRUSSX312BZ	90711048	-	SCREW, 6-32 PHIL TRUSS 5/16 CS BZ PATCH
7	12	RIVET-AK54ABS_B	90701161	-	RIVET, 54 COUNTERSUNK BLACK PAINT
6	1	PLUG250SNAPIN	90724010	-	PLUG, .093 X 11/32 OD NYLON BLACK
5	2	NUT8-32KEP	90703023	-	NUT, KEPS 8-32 KEPS NUT SZ
4	2	KS202	99080264	B	COVER, YOKE S-CMD
3	2	SY179	85000174	-	COUNTERWEIGHT, YOKE ARM, S 250
2	1	KSA012	NA	I	BEARING, ASSY TILT DAMPER SIDE S-CMD
1	1	KTA013	NA	I	ASSY, TILT MOTOR BRACKET
BILL OF MATERIALS					

UNLESS OTHERWISE SPECIFIED:	RELEASE DATE:	CE:	High End	2105 GRACY FARMS LANE	
DIMENSIONAL TOLERANCES:	ENG:	OA:		AUSTIN, TEXAS 78758	
0 PLACE DECIMAL = ±0.38	ME:			(512) 836-2242	
1 PLACE DECIMAL = ±0.25	MEG:	DRW: L.ROESSLER	*****	http://www.highend.com	
2 PLACE DECIMALS = ±0.13	ANGLES = ±0.5°	DESCRIPTION:			
FOR PAINTED PARTS REFER TO ENG. SPEC. MANUAL WI-0582		YOKE ASSEMBLY, S-CMD-H			
ALL COMPONENTS, MATERIALS AND FINISHES TO BE R6HS COMPLIANT		MATERIAL:		FINISH:	
		CHARTED		NA	

PROPRIETARY NOTICE: THIS DOCUMENT CONTAINS CONFIDENTIAL AND PROPRIETARY INFORMATION OF HIGH END SYSTEMS INC., (ALSO DBA LIGHTWAVE RESEARCH) AND IS GIVEN TO THE RECEIVER IN CONFIDENCE. THE RECEIVER ACCEPTS AND AGREES THAT, EXCEPT AS AUTHORIZED BY HIGH END SYSTEMS, THE RECEIVER WILL NOT PERMIT THE USE OF THE DOCUMENT OR ANY COPY THEREOF OR THE INFORMATION THEREIN, WILL NOT COPY OR PERMIT COPYING THE DOCUMENT OR THE INFORMATION THEREIN, AND WILL UPON COMPLETION OF THE NEED TO RETAIN THE DOCUMENT, OR UPON DEMAND, RETURN THE DOCUMENT WITHOUT RETAINING ANY OF THE INFORMATION CONTAINED THEREIN IN ANY FORM WHATSOEVER.

MIN. DRAFT	INTERPRET DIMENSIONS PER ASME Y14.5M-1994		PART NO.	DRAWING NO.	REV.
MIN. RADI	THIRD ANGLE PROJECTION		NA	KHA003	1
FLATNESS	DIMENSIONS ARE IN MILLIMETERS		DO NOT SCALE	SCALE: 0.400	SHEET: 1 OF 1
THICKNESS					
VOLUME					