

REVISION HISTORY

SCH REV	PCB REV	ECO NO.	DATE	COMMENT
1.0	1.0		7/17/97	PRODUCTION RELEASE
1.1	1.1		9/24/97	ECN
1.2	1.2		12-5-97	F1 AND F3 CHANGE
1.3	1.3	7559	1-8-98	CHANGED RJ41, BC20, BC21, C27, C41, C91
1.3.1	1.3		1-22-98	CHANGED R132 FROM 20K TO 4.7K
1.3.2	1.3	7698	3-3-98	SEE ECN FOR CHANGES
1.3.3	1.3	7847	5-7-98	CHANGED R28, 29, 30, 104, 143, 144 FROM 200R TO 20R
1.3.4	1.3	8279	1-13-99	ADDED TRANSFORM TO C14 AND OTHER ASSY DVG CHANGES
1.4	1.4		4-8-99	SEE ECN 8321 & 8456 FOR CHANGES

Copyright (c) 1994-1999 High End Systems, Inc. All rights reserved worldwide.

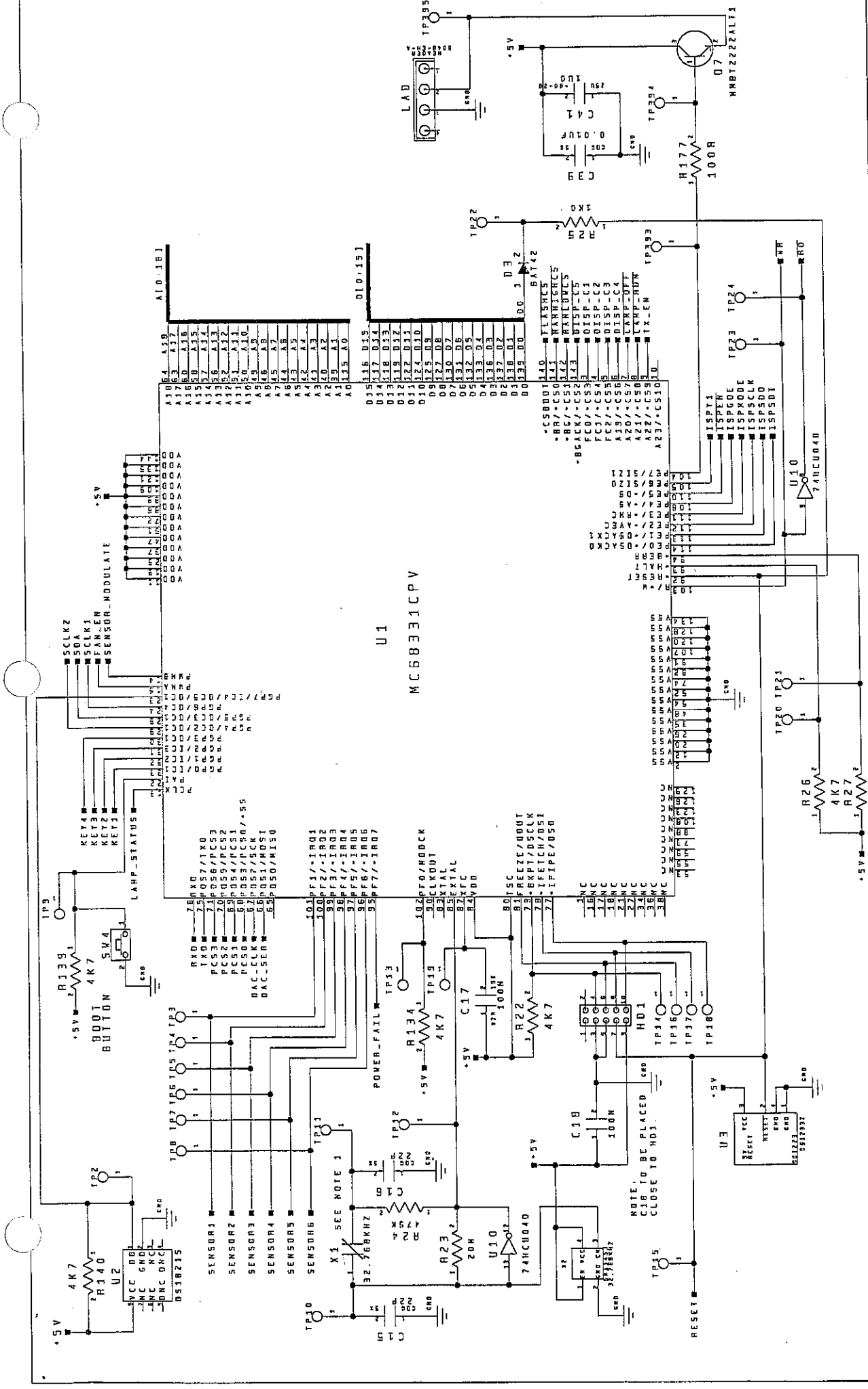
Technobeam, Lightwave Research, the Lightwave Research logo, High End Systems and the High End Systems logo are registered trademarks of High End Systems, Inc. Trademarks and trade names of others may be used in this document to refer to either such other entities or to their products. High End Systems Inc. disclaims any proprietary interest or connection to such marks or entities.

CHECK PRINT

[Handwritten Signature]
 DATE: 4/14/99
 BY: KSH
 14 Apr 99

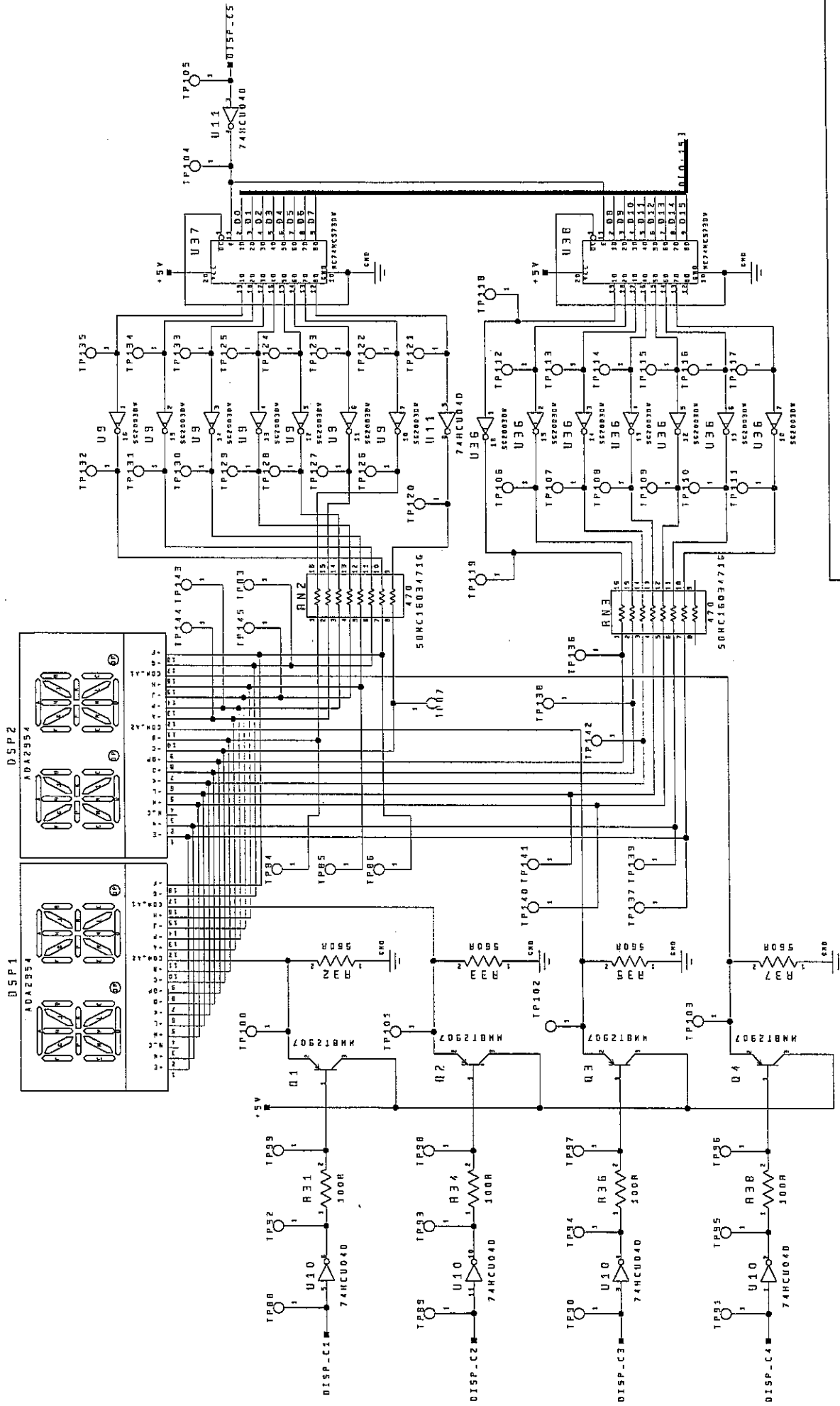
- NOTES:
- UNLESS OTHERWISE SPECIFIED:
 - ALL RESISTOR VALUES ARE IN OHMS
 - ALL RESISTORS ARE 1/8 WATT 5% OR BETTER
 - CAPACITOR VALUES ARE IN PICO FARADS
 - CAPACITOR VALUES ARE IN PICO FARADS
 - ALL NON POLARIZED CAPACITORS ARE 50V OR BETTER
 - VALUES BELOW 470PF ARE NPO/C0G TYPE 5%
 - VALUES 470PF TO 1000PF ARE X7R 10%
 - VALUES ABOVE 1000PF ARE Z5U +/- 20 %
 - ALL POLARIZED CAPACITORS ARE 20% DR BETTER
 - ALL DIODES ARE 1N4148.

HIGH END SYSTEMS INC.	
Title: TECHNODBEAM	
Function: COVER SHEET	7914
Drawing No. SCH-99030079	REV 1.4
Drawn: DRAMER	Approved: TOM GRIMES
Date: 4-8-1999-16:52	Size: A2
Page: 1	of 11



HIGH END SYSTEMS INC.
 Title: TECHNOBEAM CPU
 Function: THE BRAINS OF THE LIGHT
 Drawing No. REV. 1.4 Size B Page 2 of 11
 Date 4-8-1999-16:20
 SCH-99030079

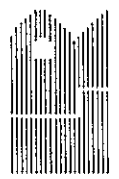
NOTES:
 1. STUFF X2 OR X1, R23, R24, C15, C16. DO NOT STUFF BOTH.

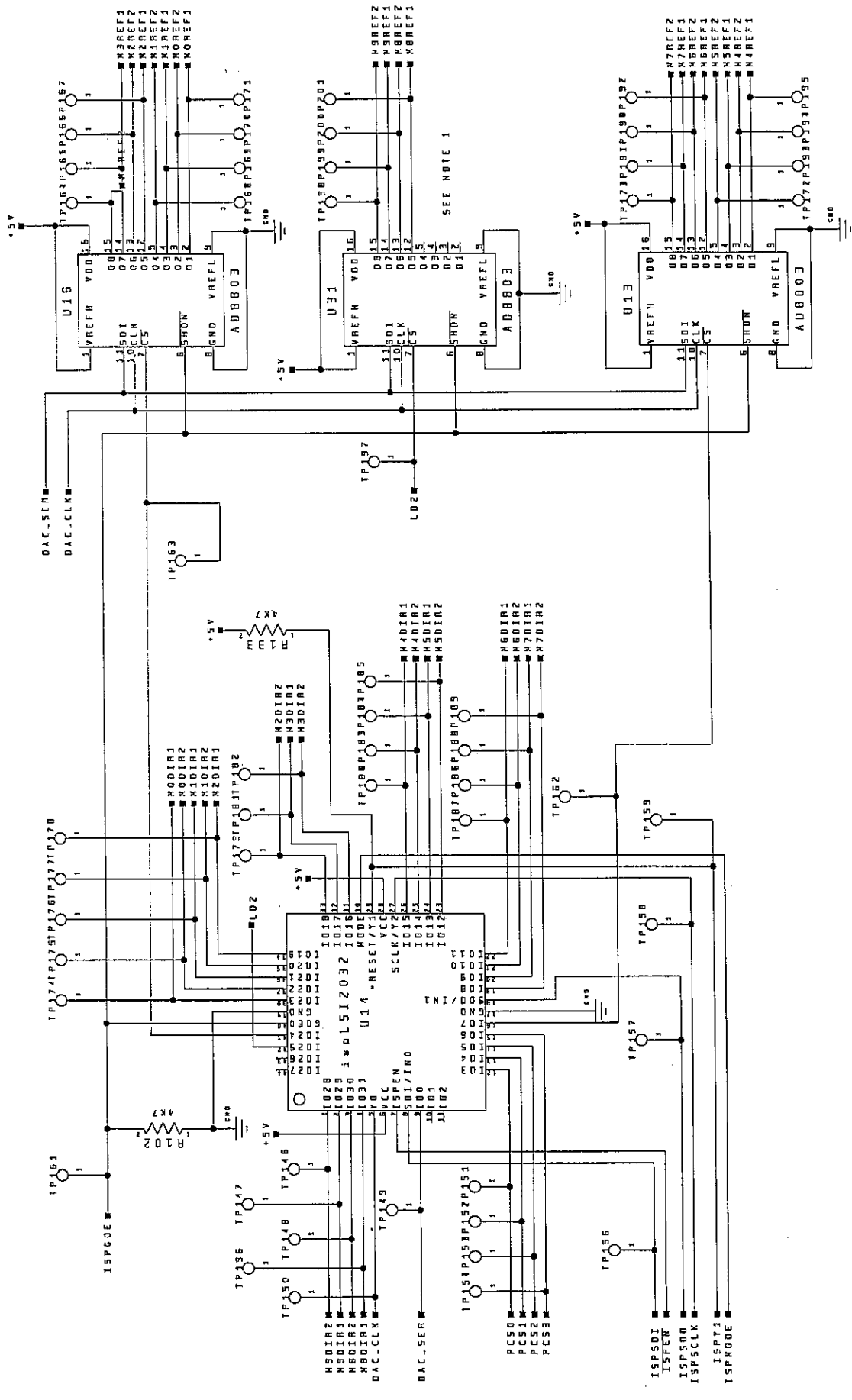


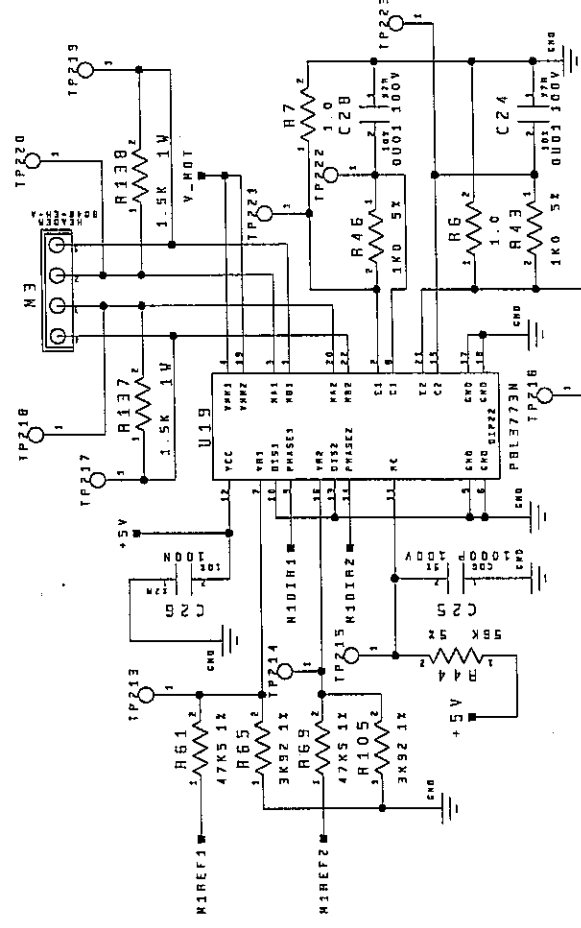
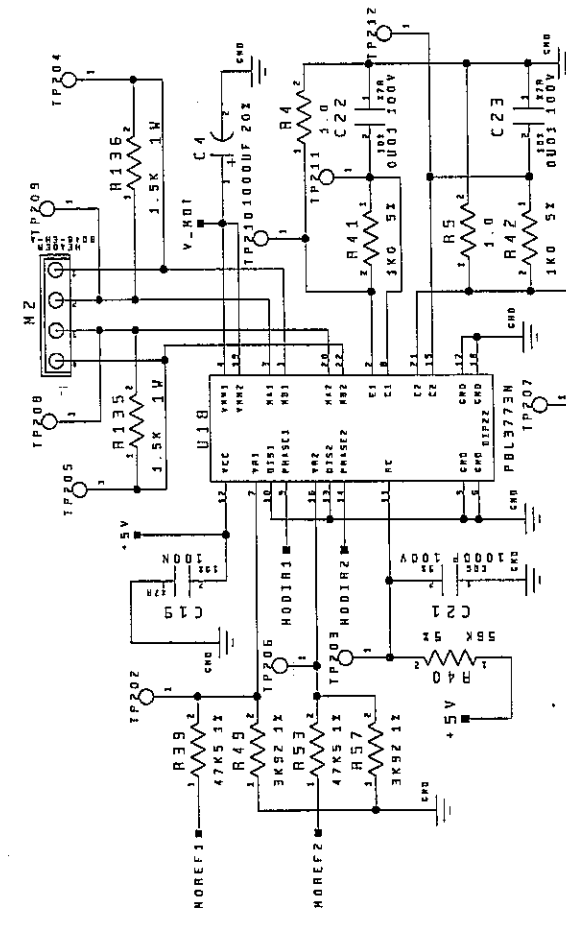
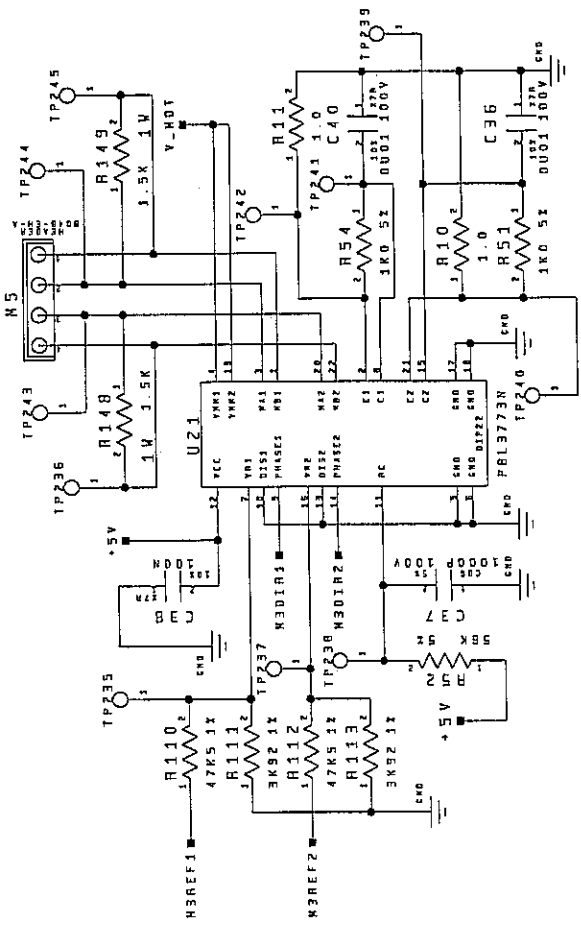
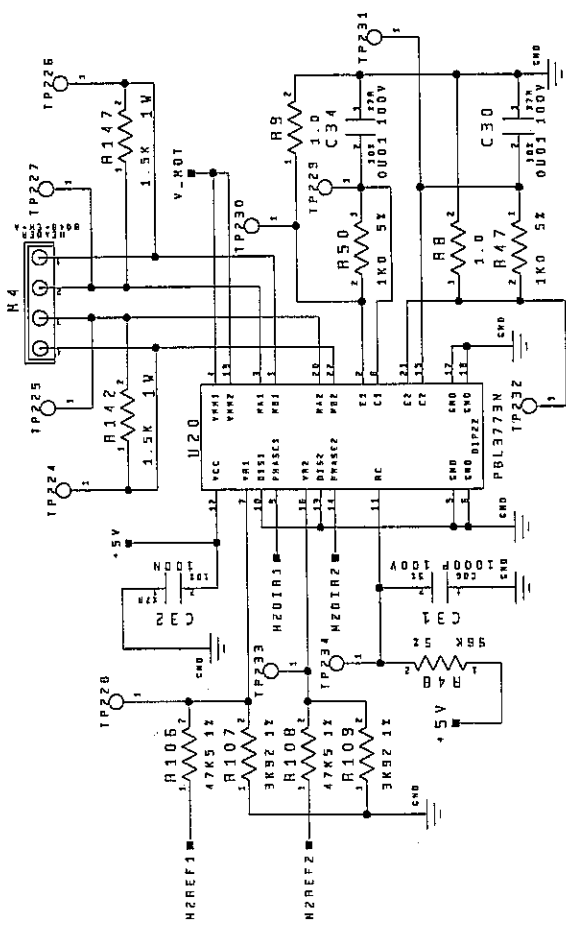
HIGH END SYSTEMS INC.

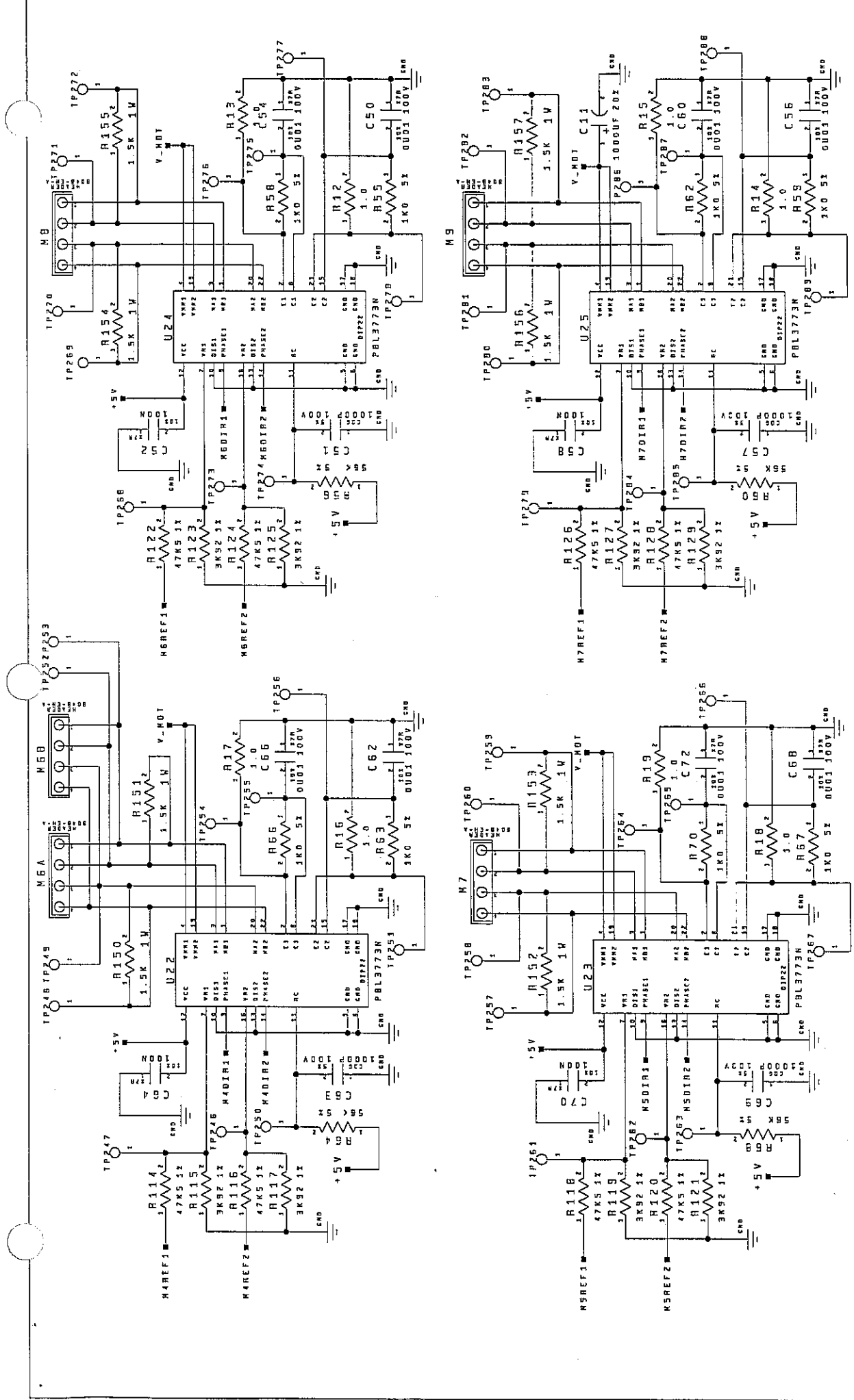
Title: **TECHNOBEAM USER INTERFACE**

Function: **DISPLAY THINGS**



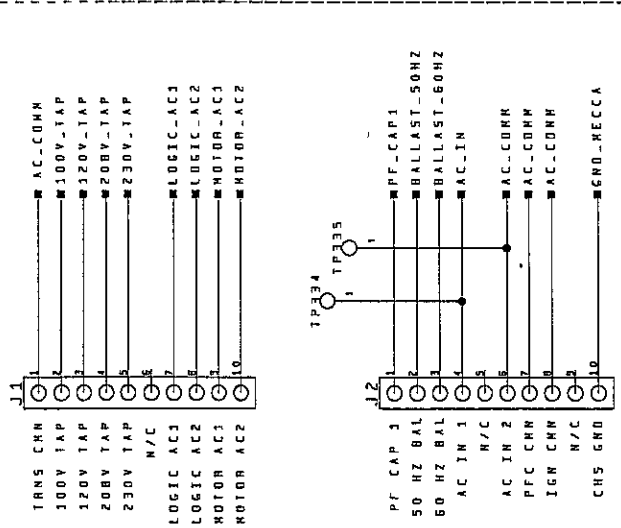




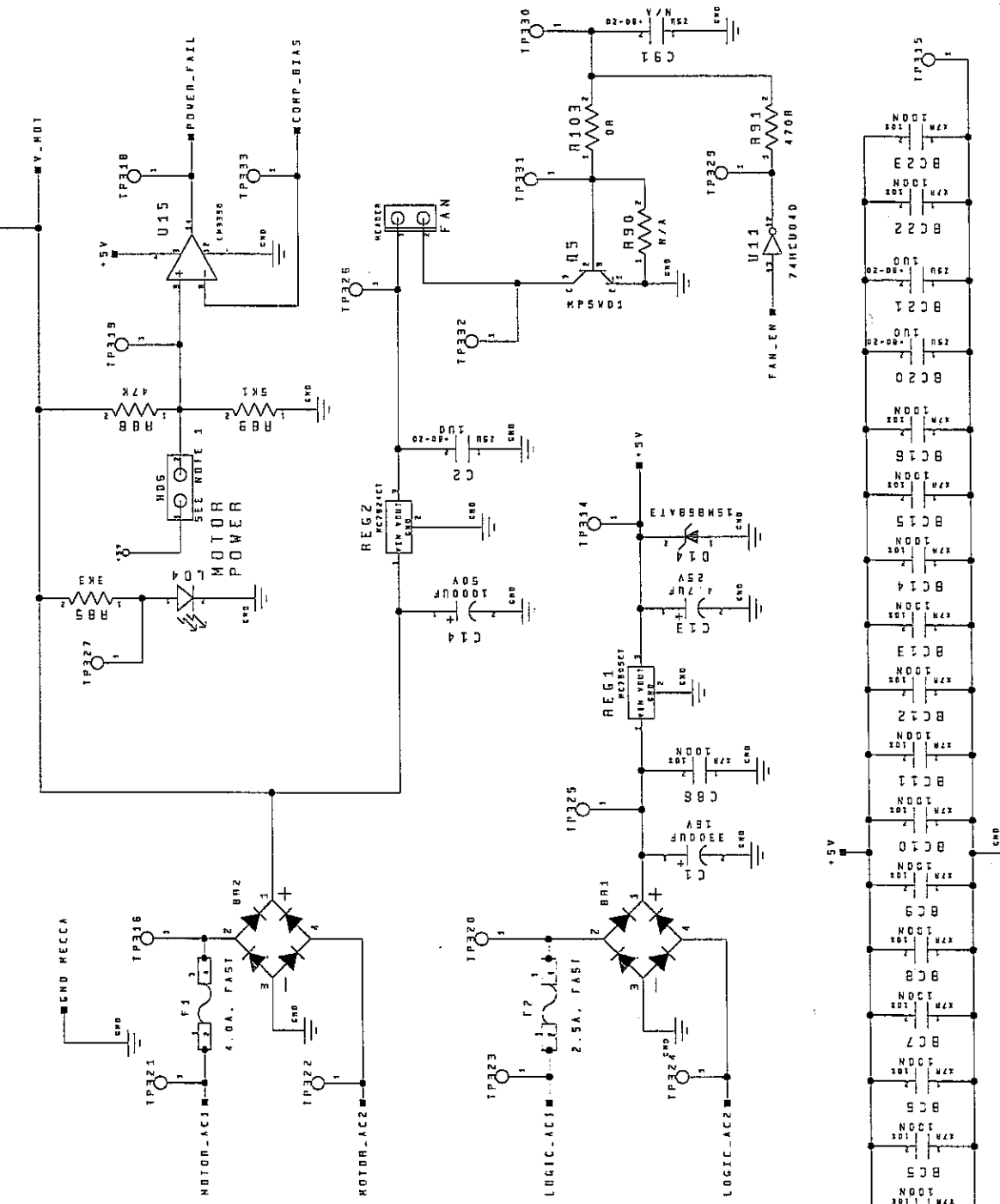


HIGH END SYSTEMS INC.
 TechnoBeam
 MOTOR DRIVERS
 Function: SHUTTER, FOCUS, TILT & PAN
 Drawing No. SCH-99030079 REV. 1.4 Size B Page 7 of 11
 Date 3-28-1999-14:00

HIGH VOLTAGE



LOW VOLTAGE

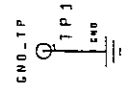


HIGH END SYSTEMS INC.

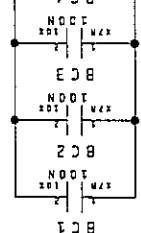
TECHNOBEAM
MOTOR AND LOGIC POWER SUPPLY

Function: MAKE THINGS GO

Date 4-8-1999-17:20
Page 9 of 11



NOTES:
 1. HD6 TO BE USED FOR QC AND TROUBLESHOOTING PURPOSES ONLY. IN NORMAL OPERATION NO JUMPER T5 TO BE INSTALLED AT HD6.

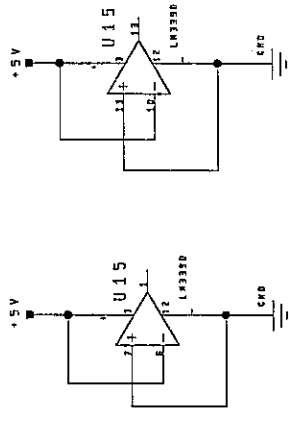
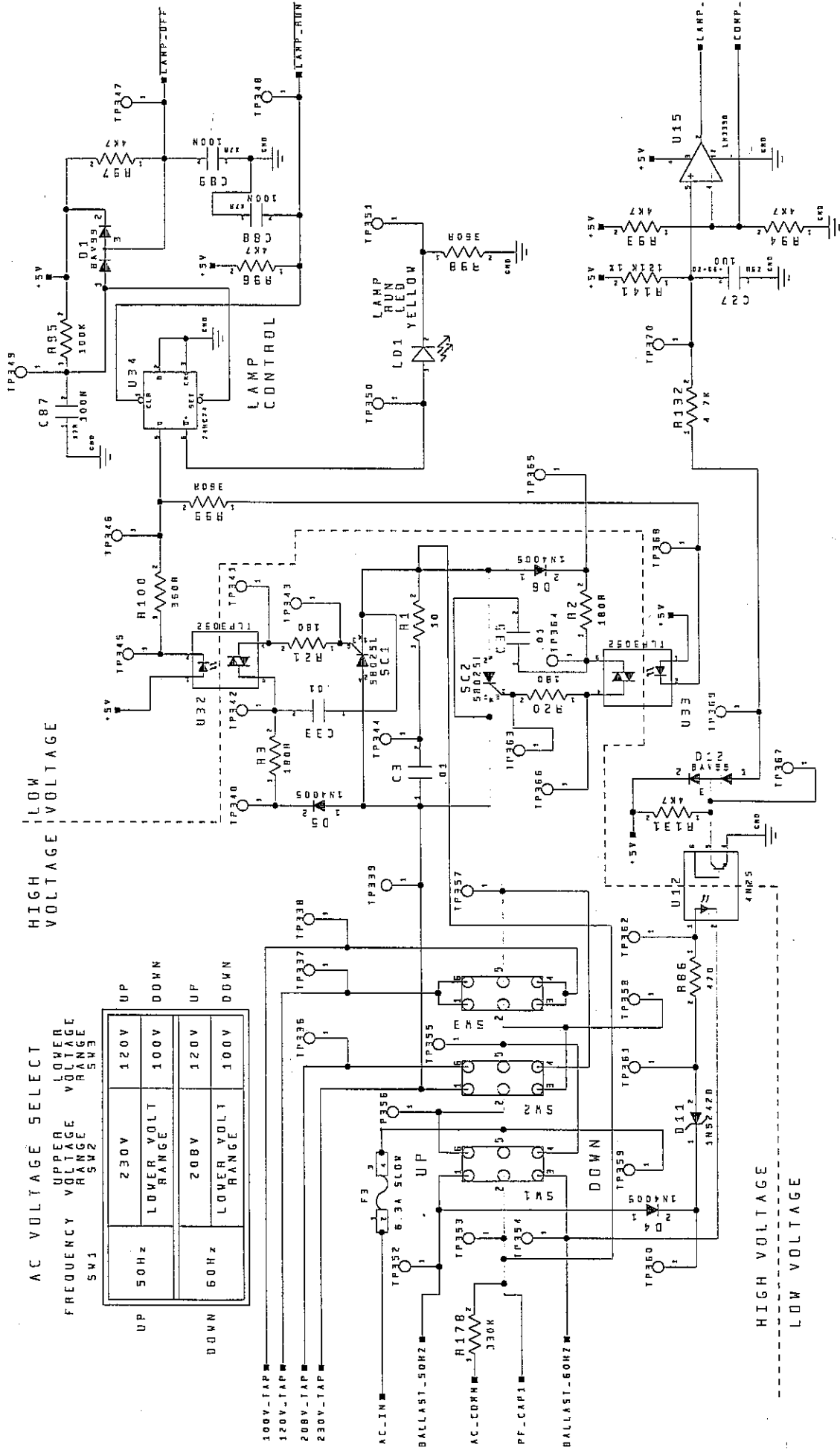


Handwritten signature

AC VOLTAGE SELECT

FREQUENCY	UPPER VOLTAGE RANGE	LOWER VOLTAGE RANGE
50 Hz	230V	120V
60 Hz	208V	100V

UP DOWN UP DOWN



HIGH END SYSTEMS INC.

Title: **TECHNOBEAM LAMP CONTROL**

Function: **LAMP ON/OFF AND RUN SENSING**

Drawing No. **REV. 1.4** Size **B** Date **2-1-1999-11:59**

5CH-99030079 Page 10 of 11

NOTES:
1. 00 NOT STUFF RV1

