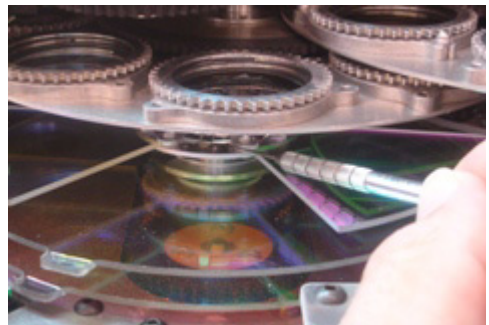
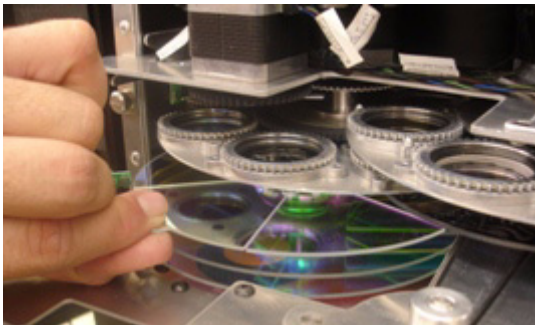
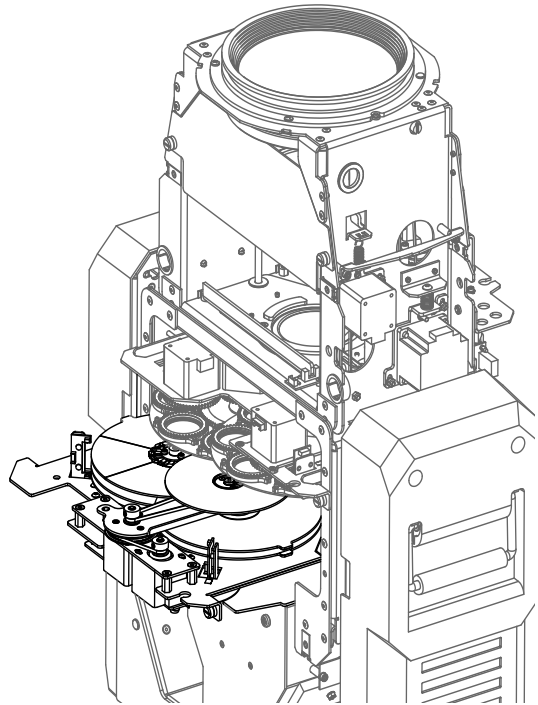

Replacing Static Color Wheel Dichroic Wedges

Replace color wedges if they are damaged or broken, to change their order in the wheel, or to install a new or custom color. (See *Related Products and Accessories* on page 5 for ordering information.)

To replace a color wedge:

1. Lock the fixture in the upright position.
2. Remove both sides of the bezel.
3. Locate the Color Mix Module and use a flathead screwdriver to loosen the two thumbscrews that hold it in the fixture.
4. Free the harness by removing the grommet from its slot next to the module.
5. Grasping the module from each side, slide it part way out of the fixture.
6. Rotate the static color wheel to access the wedge you want to replace.
7. Grasp the wedge and pull it straight out of the fixture. If the wedge has been broken, use a dental pick to remove any glass retained in the hub taking care that loose glass does not fall into the fixture.



Note: You must use a dental pic as a tool to remove any debris from the spring clip. Prying up the clip tab can result in a sprung clip that will **NOT** hold the color segment securely and cause the replacement wedge to fall out.

8. Position the new dichroic wedge with the coated side facing the lamp with the coated side facing the lamp.

Note: To determine which side of the litho is coated, place the tip of a pen against each side of the litho and view it from a slight angle. On the coated side, the tip of the

pen appears to touch its reflection. On the uncoated side, there appears to be a gap between the pen and its reflection

9. Insert the new wedge into the slot aligning the tab with the clip on the hub.

Note: *There are two wedge shapes on the static color wheel. The wedge type with an outside tab must always remain in the position directly opposite the open position. When ordering color wedges be sure to specify whether it should be a tabbed or a standard shaped wedge.*

For dichroic wedge specifications, see the intellaspot XT-1 support page at www.highend.com/support/automated_luminaires/.

10. Slide the module back into the fixture and tighten the thumbscrew screw to secure it.
11. Replace the harness grommet into the slot alongside the module
12. Reattach the bezel and retighten the captive bezel screws.

