

REVISION HISTORY

SCH REV	PCB REV	ECO #	DATE	COMMENT
1.0	1.0		04-25-05	INITIAL RELEASE
1.1	1.1	1728	06-03-05	CHANGE MOUNTING HOLES
1.2	1.2	1796	09-01-05	CORRECT SILKSCREEN / ADD NOTES TO ASSEMBLY DRAWING
1.2.1	1.2	1812	09-15-05	BOM CHANGE ONLY / CHANGE R60,R61 to 15.4K
1.2.2	1.2	2072	08-25-06	BOM CHANGE ONLY / K1 now TYCO and SEALED
1.2.3	1.2	2091	09-19-06	BOM CHANGE ONLY / REMOVE MERCURY SWITCH

DL2 BOX BOARD

ASM: 80010186 REV 1.2.3
 PCB: 99030160 REV 1.2

- 1) TITLE
- 2) C8051F320
- 3) C8051F310
- 4) KEYPAD
- 5) VOLTAGE REGULATORS
- 6) DMX / MODULE LINK 2
- 7) LEDs / VIDEO ROUTING
- 8) SENSORS
- 9) MOTOR DRIVERS
- 10) 3 PHASE PROTECTION
- 11) HIGH RES ENCODER CPU
- 12) FAN DRIVERS
- 13) MECHANICAL PARTS

Copyright (c) 1994-2005 High End Systems, Inc. All rights reserved worldwide.

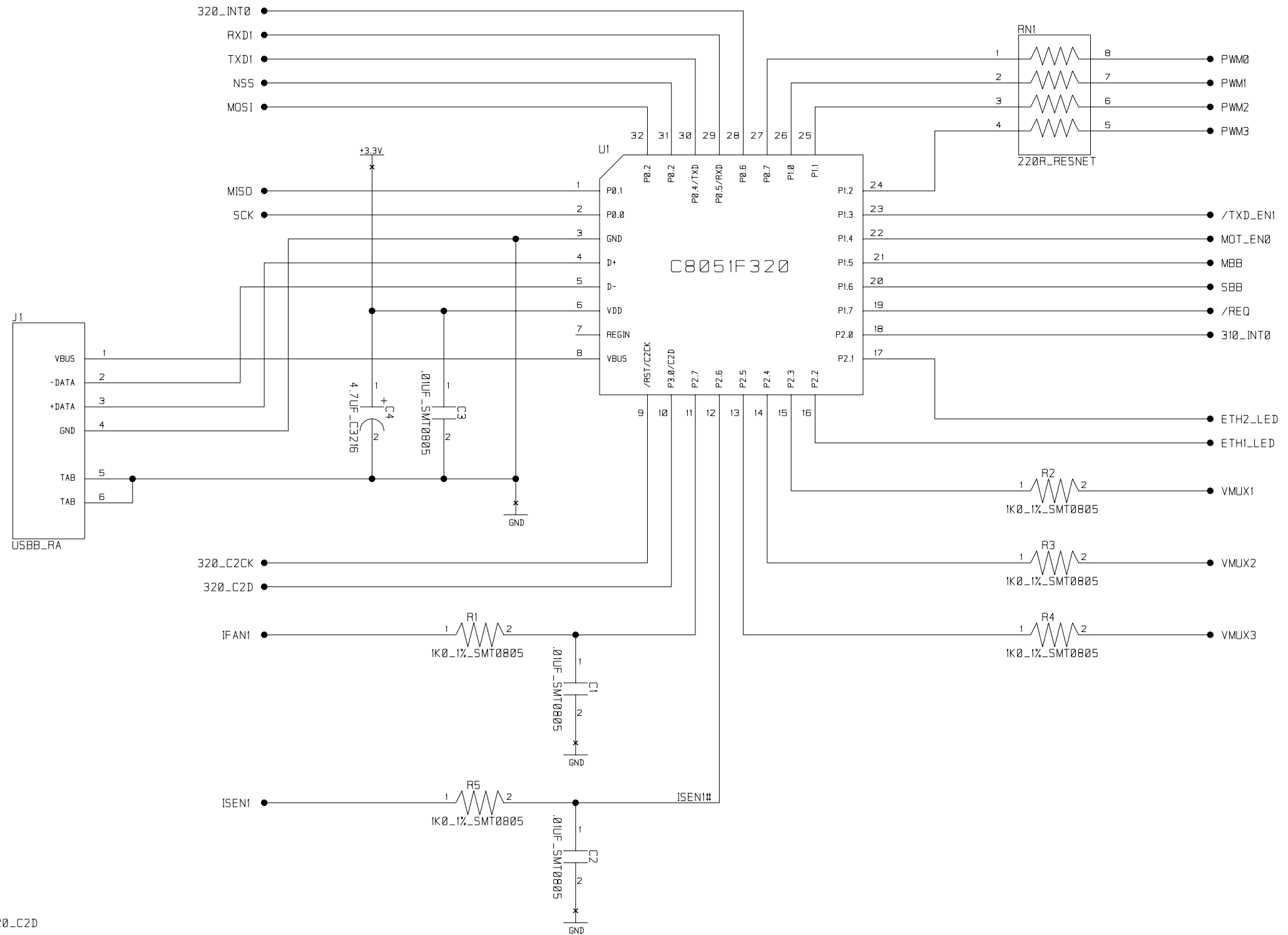
DL2, Lightwave Research, the Lightwave Research logo, High End Systems and the High End Systems logo are registered trademarks of High End Systems, Inc. Trademarks and trade names of others may be used in this document to refer to either such other entities or to their products. High End Systems, Inc. disclaims any proprietary interest or connection to such marks or entities.

HIGH END SYSTEMS INC.

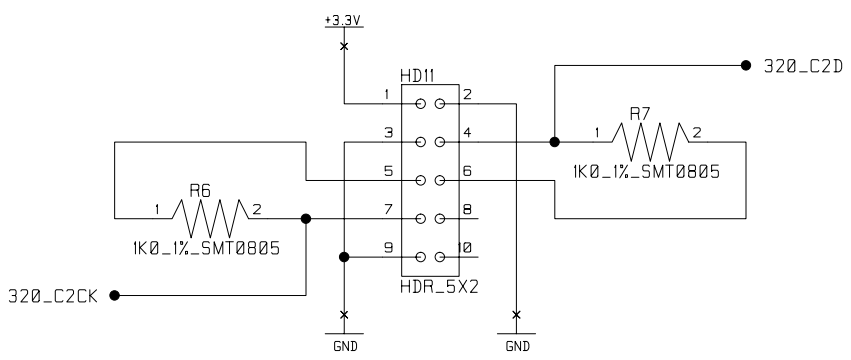


2105 GRACY FARMS LANE
 AUSTIN, TX 78758

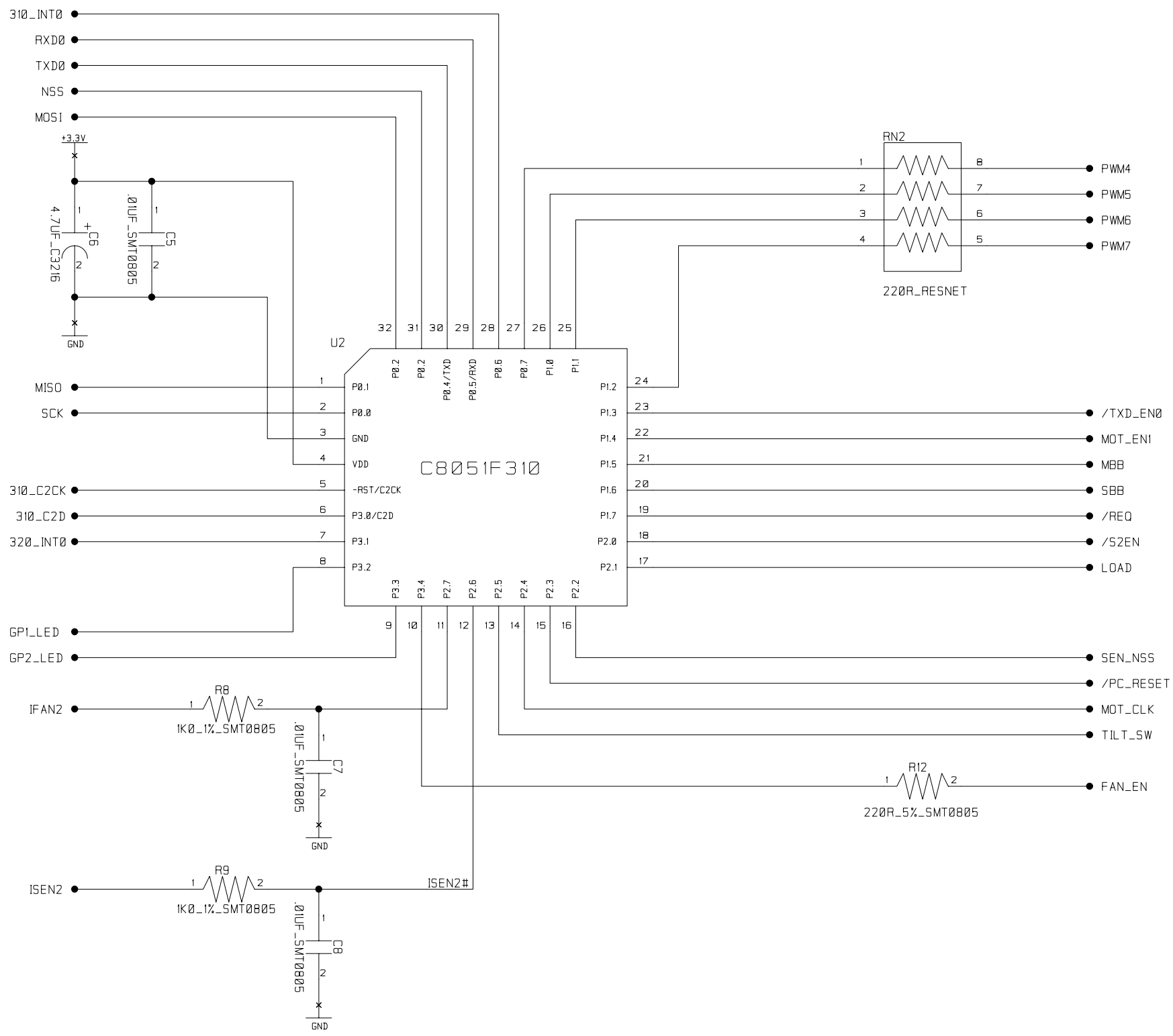
DESIGN	B. Jurek	SIZE	FSCM NO.	DWG. NO.	REV.
DRAWN	K. Lowe	a		80010186	1.2.3
ISSUED	09-19-06	SCALE		SHEET	1 of 13



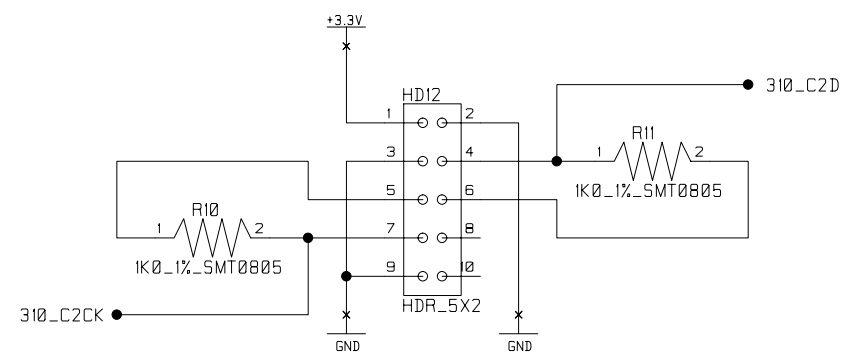
C320 C2 INTERFACE



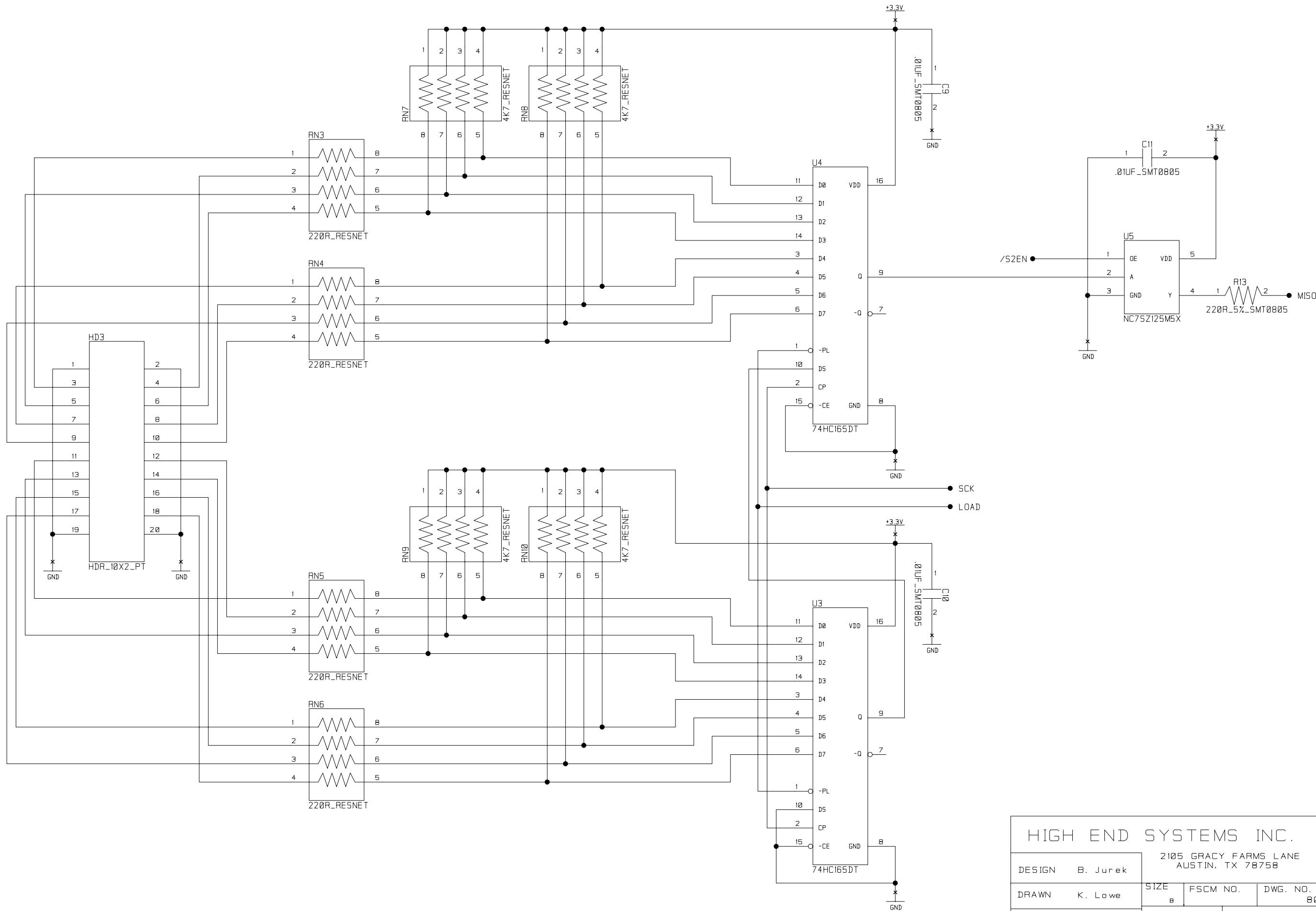
HIGH END SYSTEMS INC.					
2105 GRACY FARMS LANE AUSTIN, TX 78758					
DESIGN	B. Jurek	SIZE	FSCM NO.	DWG. NO.	REV.
DRAWN	K. Lowe	B		80010186	1.2.3
ISSUED	09-19-06	SCALE			SHEET 2 of 13



310 C2 INTERFACE

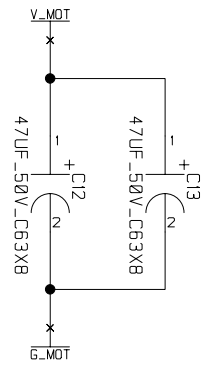


HIGH END SYSTEMS INC.					
2105 GRACY FARMS LANE AUSTIN, TX 78758					
DESIGN	B. Jurek	SIZE	FSCM NO.	DWG. NO.	REV.
DRAWN	K. Lowe	B		80010186	1.2.3
ISSUED	09-19-06	SCALE			SHEET 3 of 13

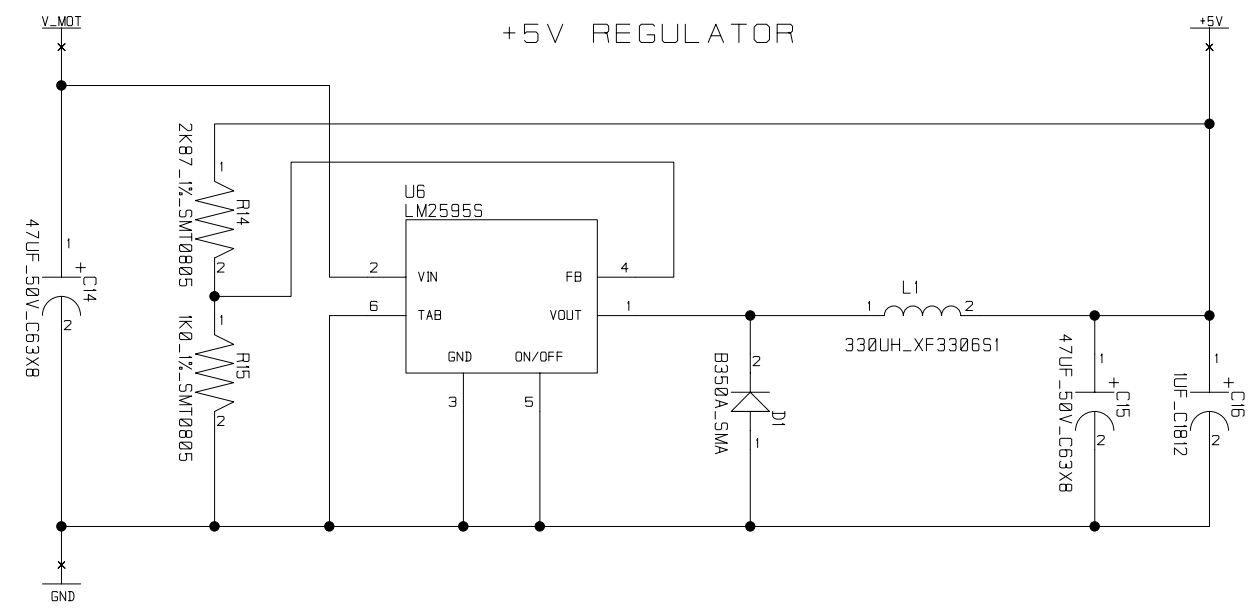


HIGH END SYSTEMS INC.				
2105 GRACY FARMS LANE AUSTIN, TX 78758				
DESIGN	B. Jurek	SIZE	FSCM NO.	DWG. NO.
DRAWN	K. Lowe	B		80010186
ISSUED	09-19-06	SCALE		REV. 1.2.3
				SHEET 4 of 13

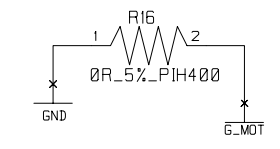
BULK DECOUPLING



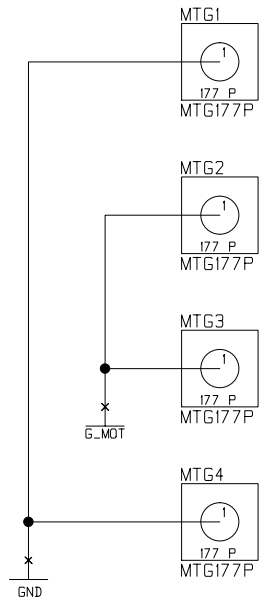
+5V REGULATOR



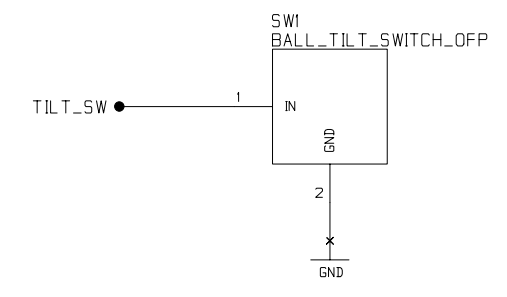
GND JUMPER



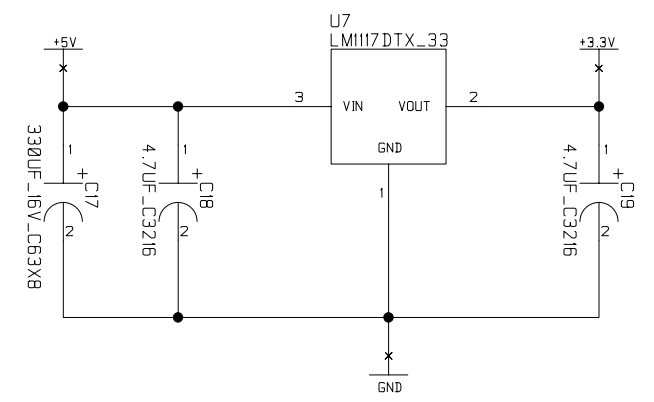
MOUNTING HOLES




TILT SWITCH



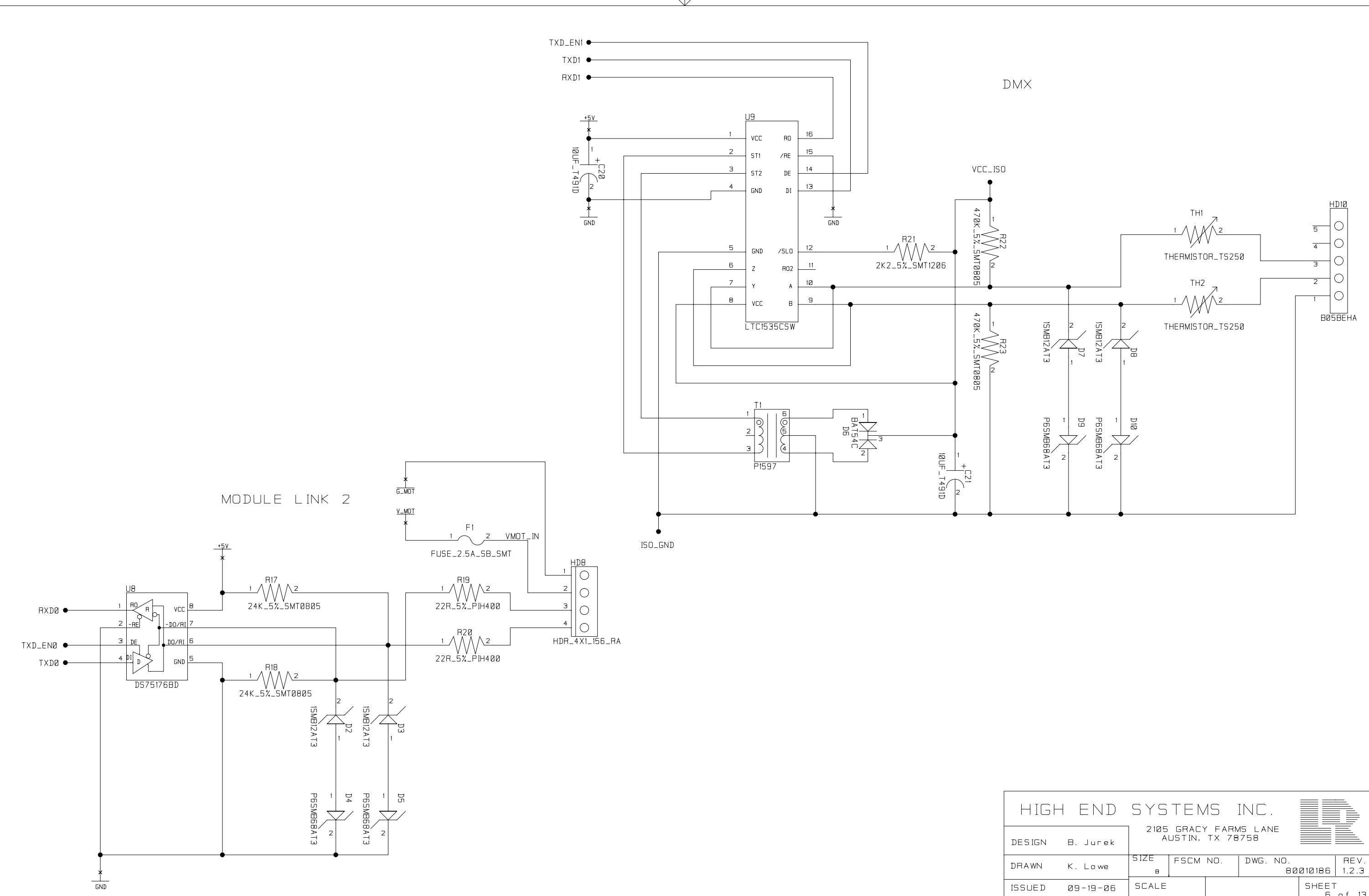
+3.3V REGULATOR




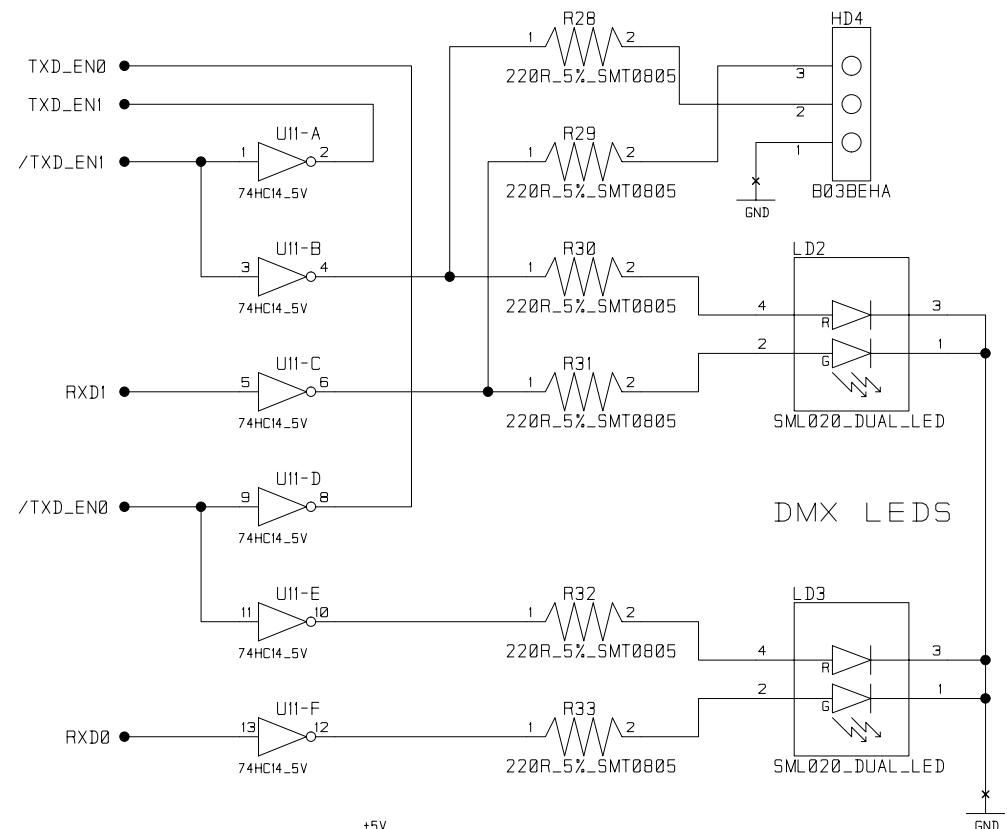
HIGH END SYSTEMS INC. 

2105 GRACY FARMS LANE
AUSTIN, TX 78758

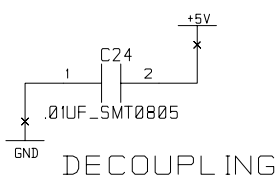
DESIGN	B. Jurek	SIZE	FSCM NO.	DWG. NO.	REV.
DRAWN	K. Lowe	B		80010186	1.2.3
ISSUED	09-19-06	SCALE		SHEET 5 of 13	



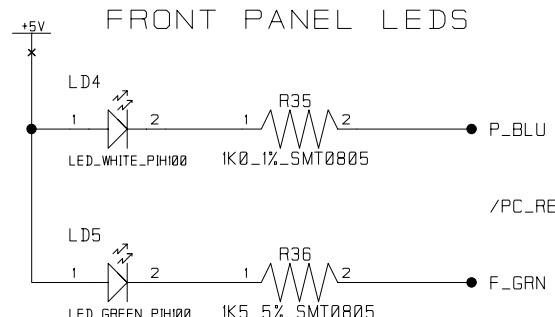
DESIGN		B. Jurek		2105 GRACY FARMS LANE AUSTIN, TX 78758		
DRAWN		K. Lowe		b	80010186	1.2.3
ISSUED		09-19-06		SCALE		SHEET 6 of 13



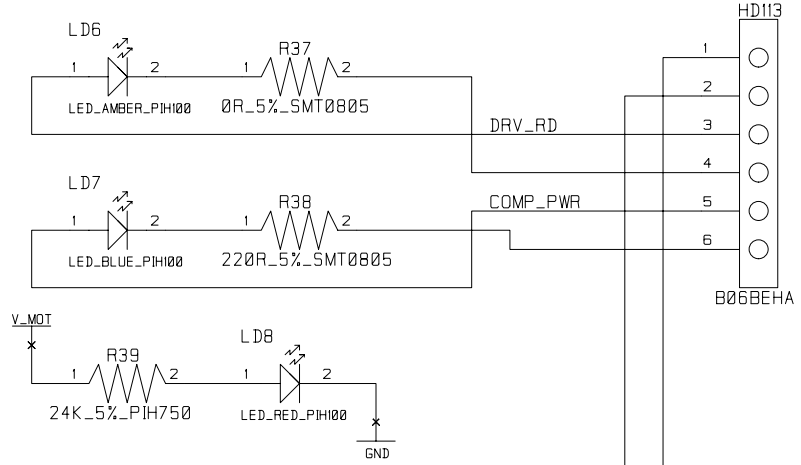
DMX LEDs



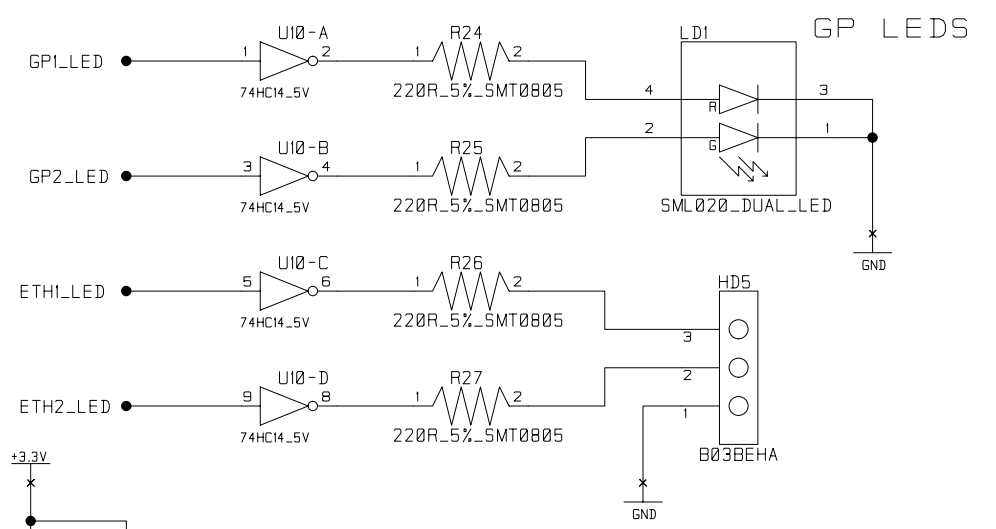
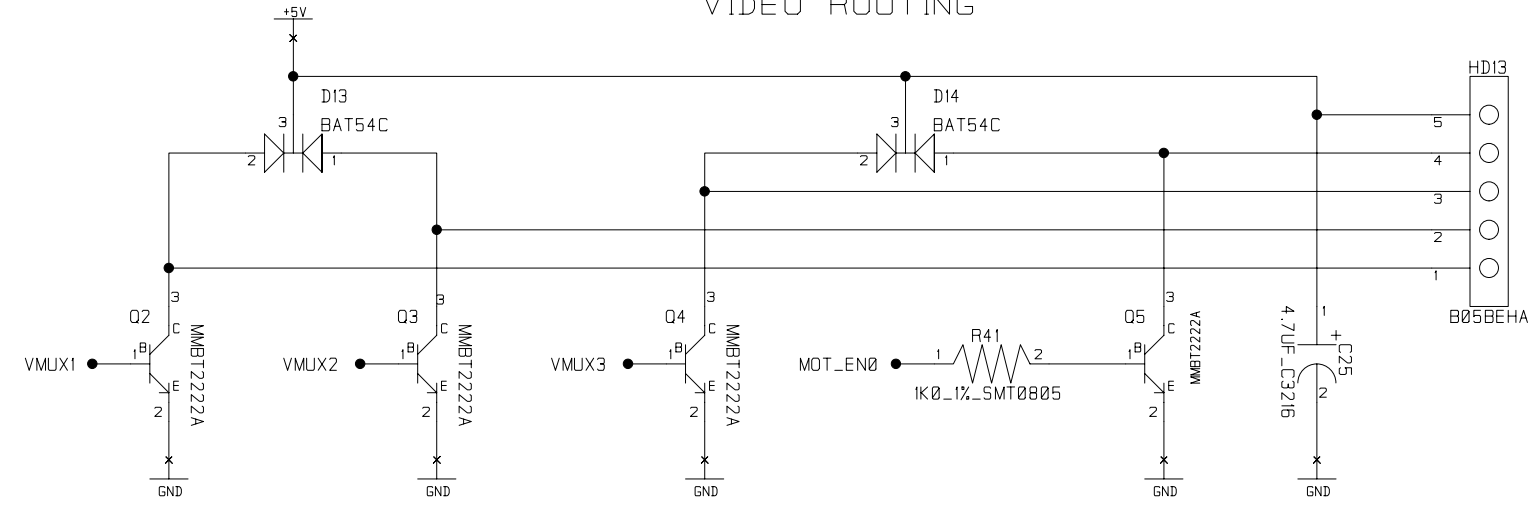
DECOUPLING



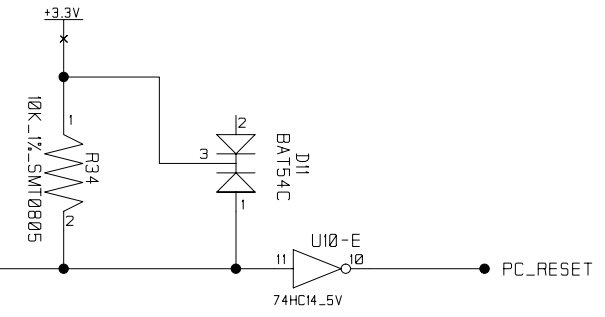
FRONT PANEL LEDs



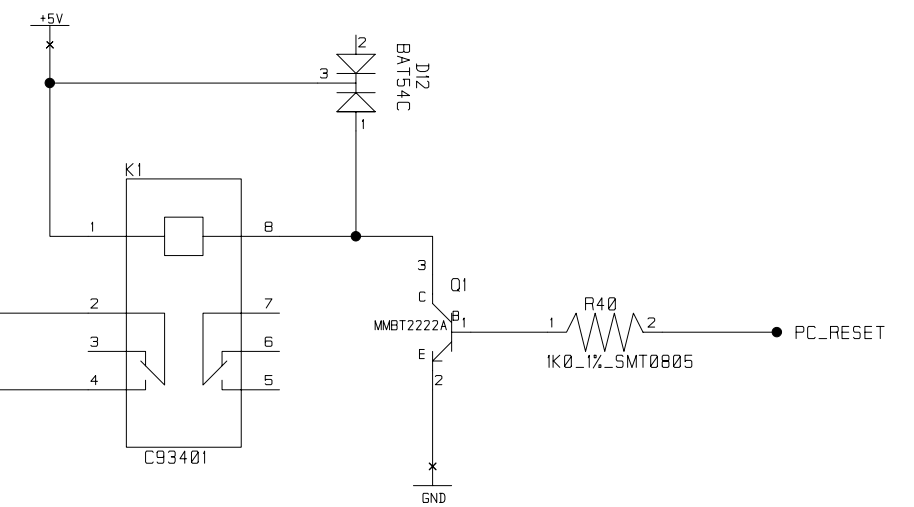
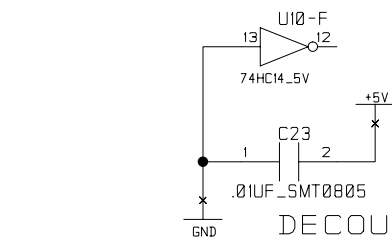
VIDEO ROUTING



GP LEDs

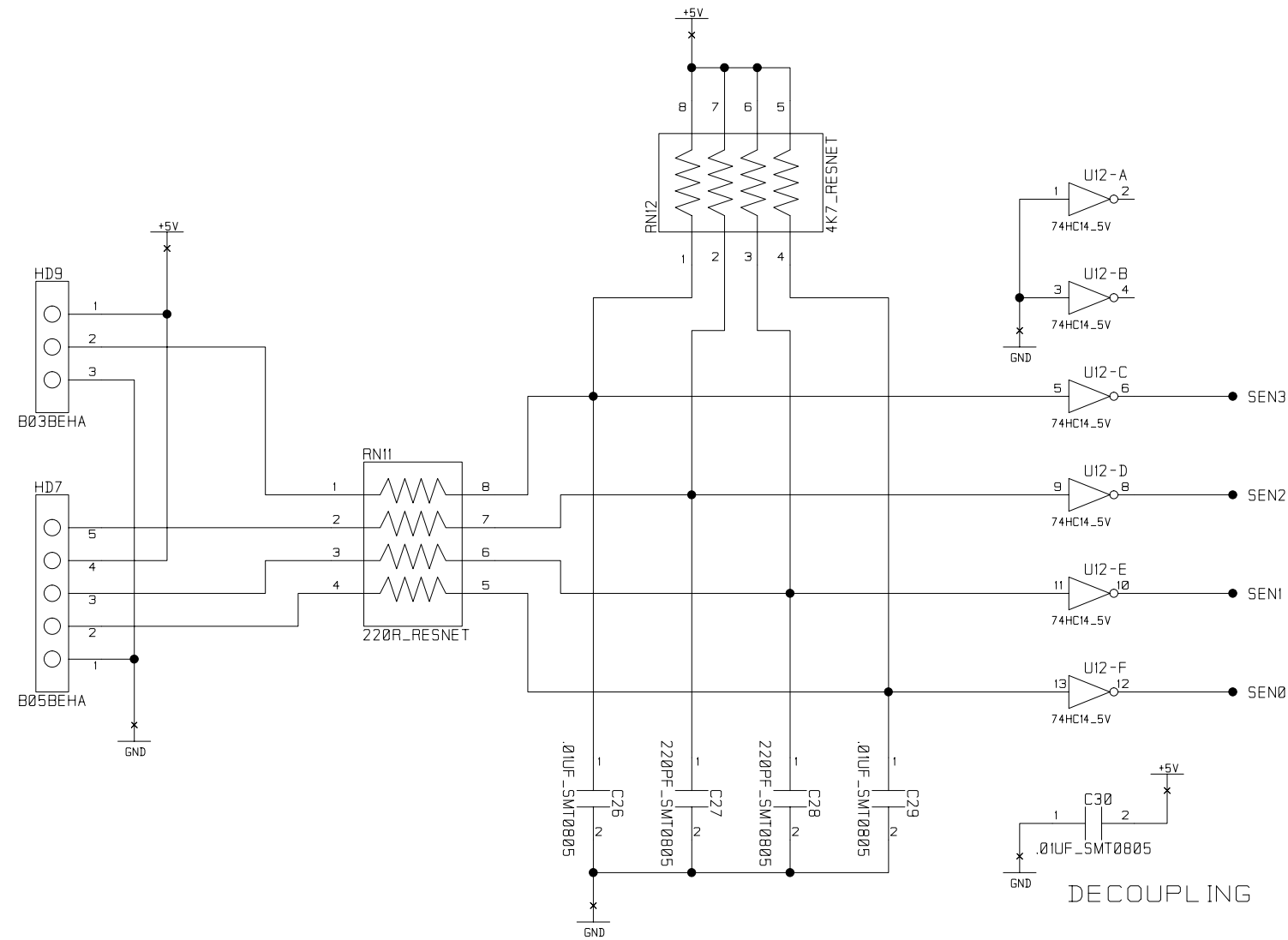



DECOUPLING



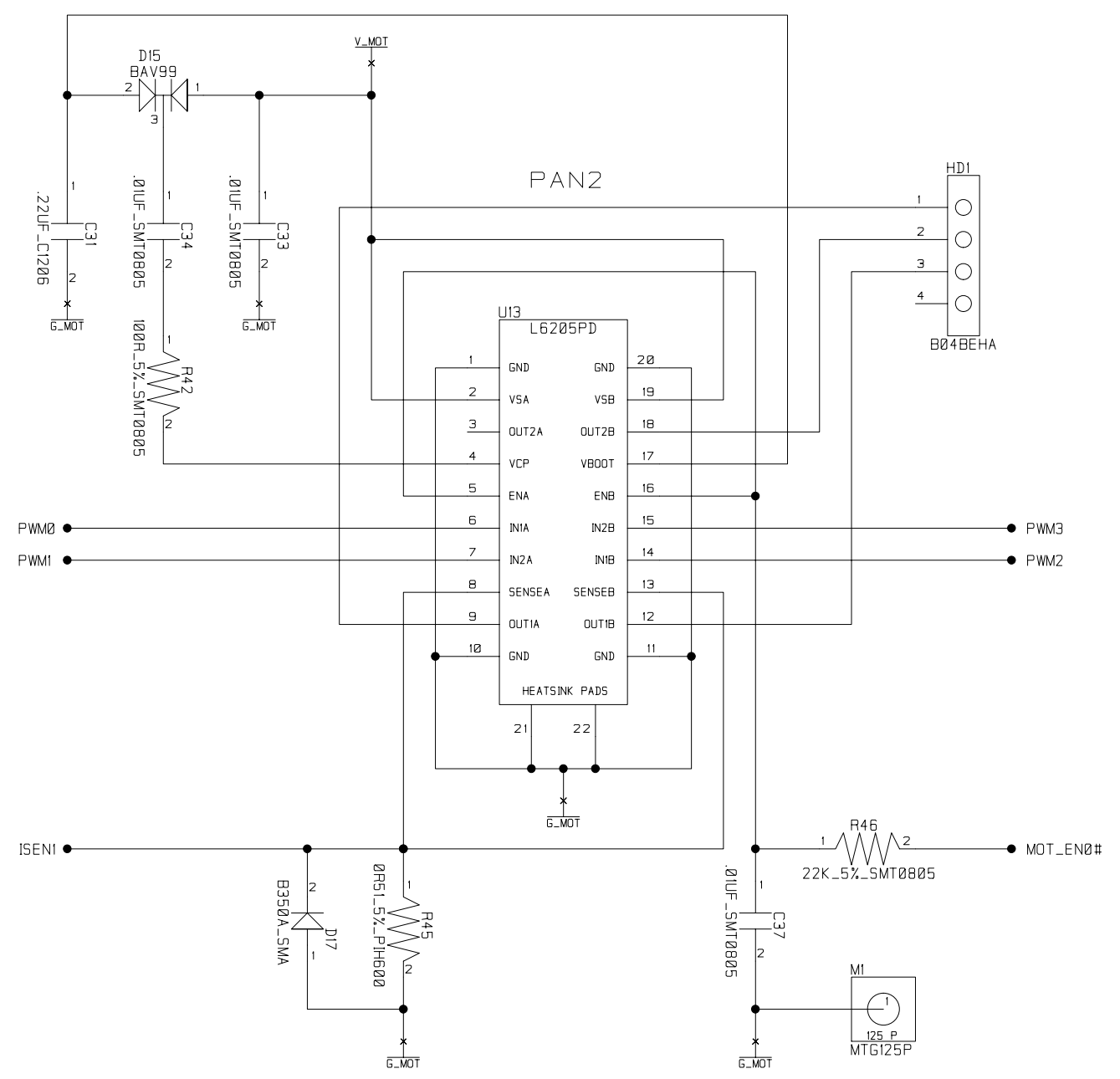
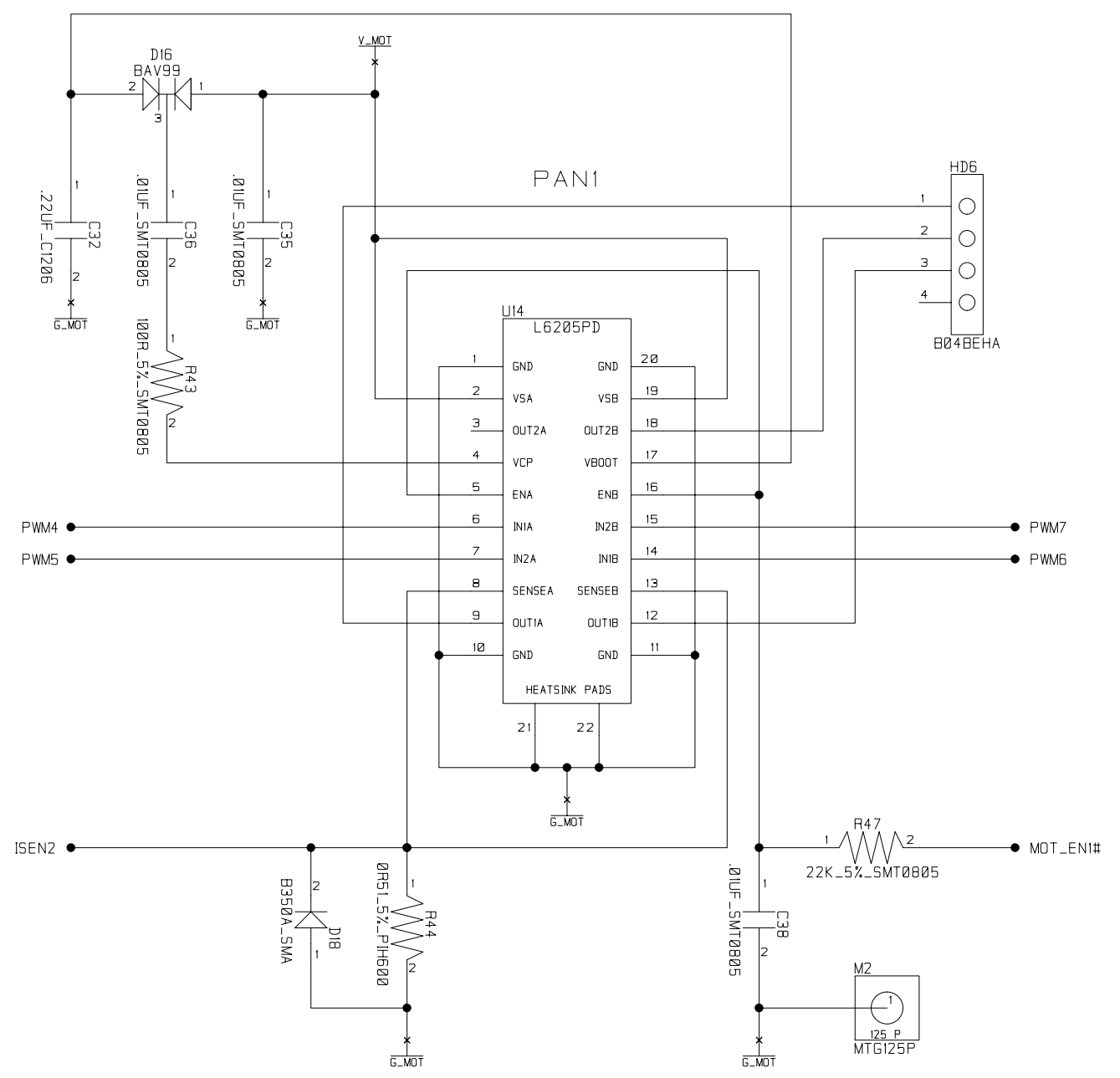
HIGH END SYSTEMS INC.				
2105 GRACY FARMS LANE AUSTIN, TX 78758				
DESIGN	B. Jurek	SIZE	FSCM NO.	REV.
DRAWN	K. Lowe	B	DWG. NO.	80010186
ISSUED	09-19-06	SCALE		1.2.3
			SHEET	7 of 13


SENSORS



HIGH END SYSTEMS INC.		2105 GRACY FARMS LANE AUSTIN, TX 78758			
DESIGN	B. Jurek	SIZE	FSCM NO.	DWG. NO.	REV.
DRAWN	K. Lowe	B		80010186	1.2.3
ISSUED	09-19-06	SCALE			SHEET 8 of 13

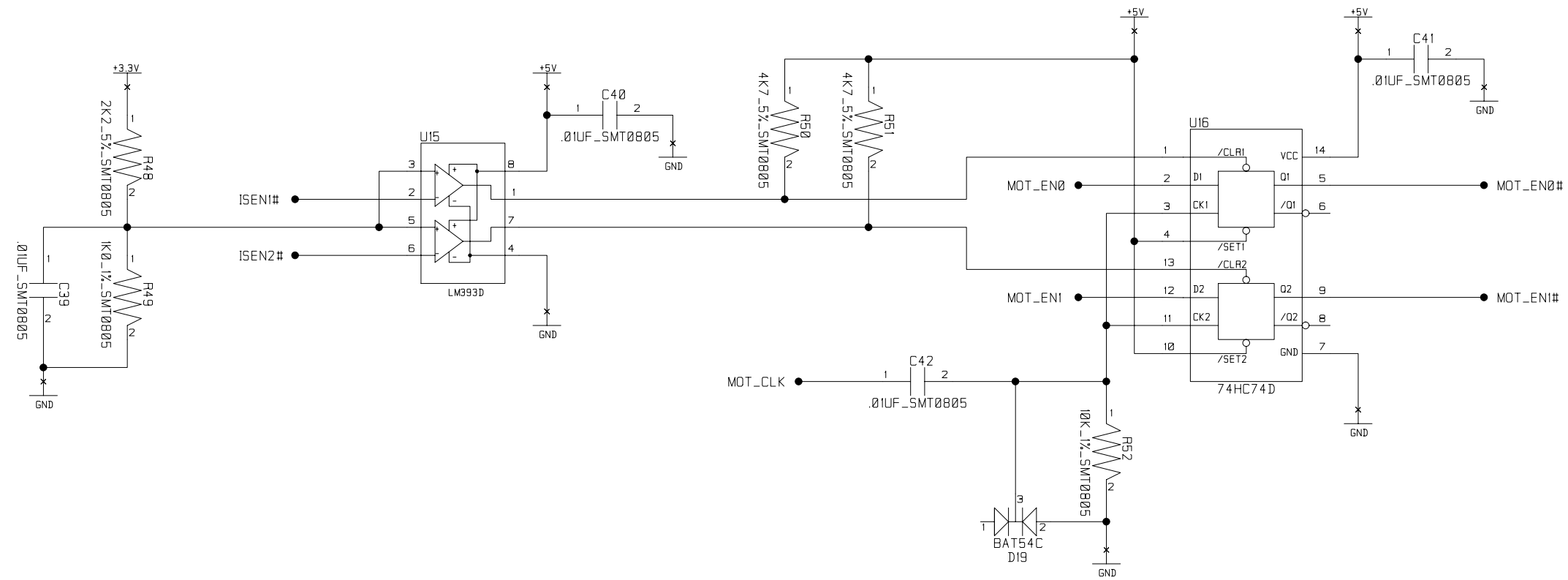
MOTOR DRIVERS




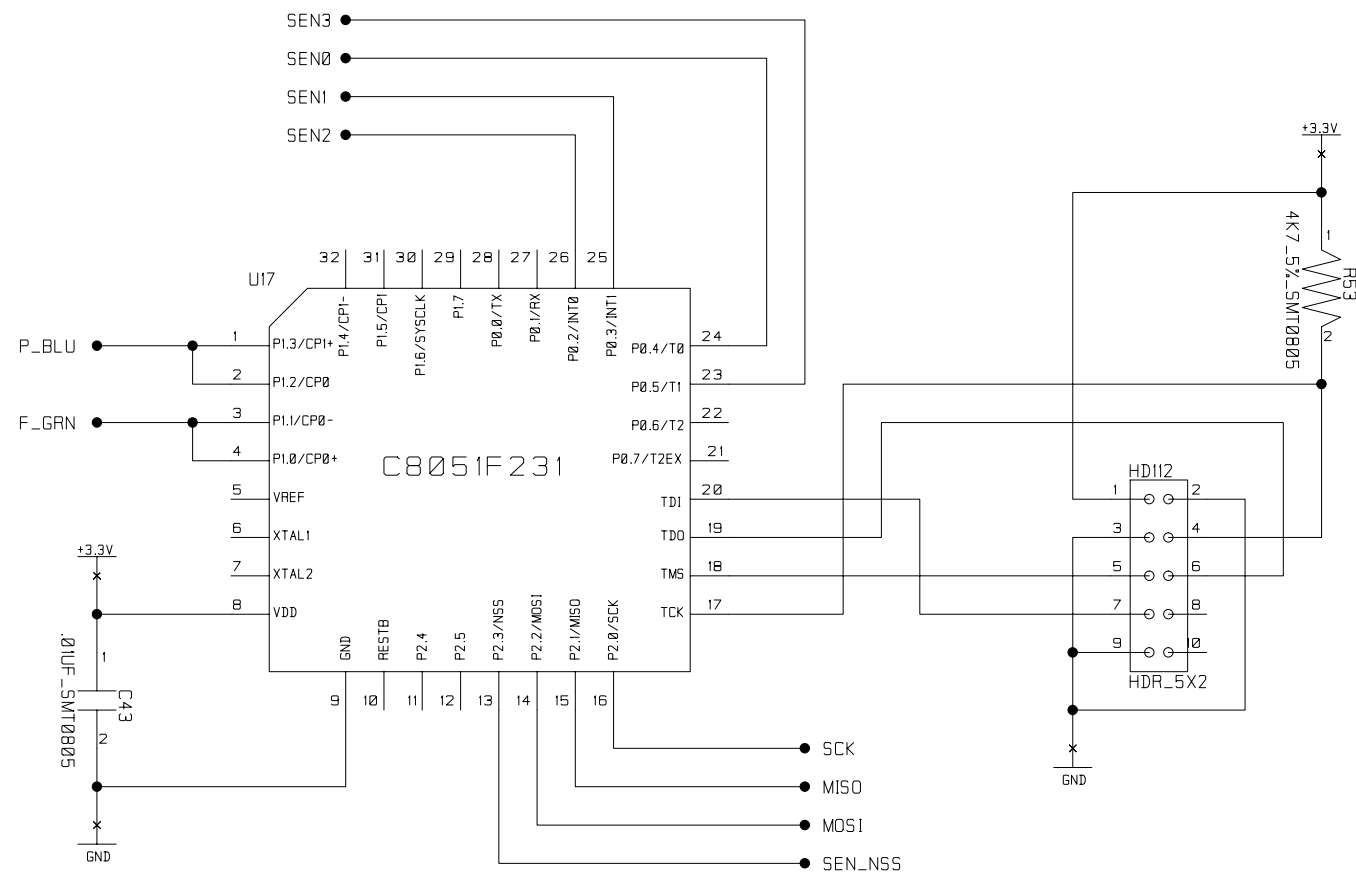
HIGH END SYSTEMS INC. 
 2105 GRACY FARMS LANE
 AUSTIN, TX 78758

DESIGN	B. Jurek	SIZE	FSCM NO.	DWG. NO.	REV.
DRAWN	K. Lowe	b		80010186	1.2.3
ISSUED	09-19-06	SCALE		SHEET	9 of 13

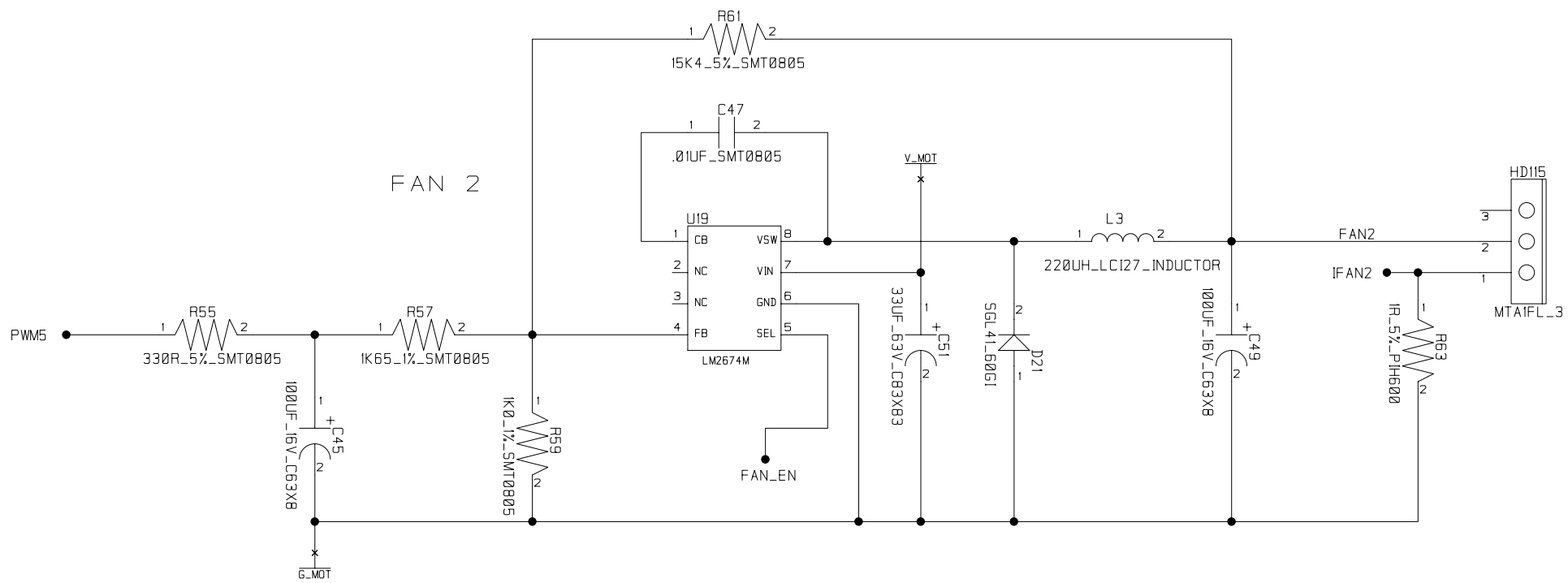
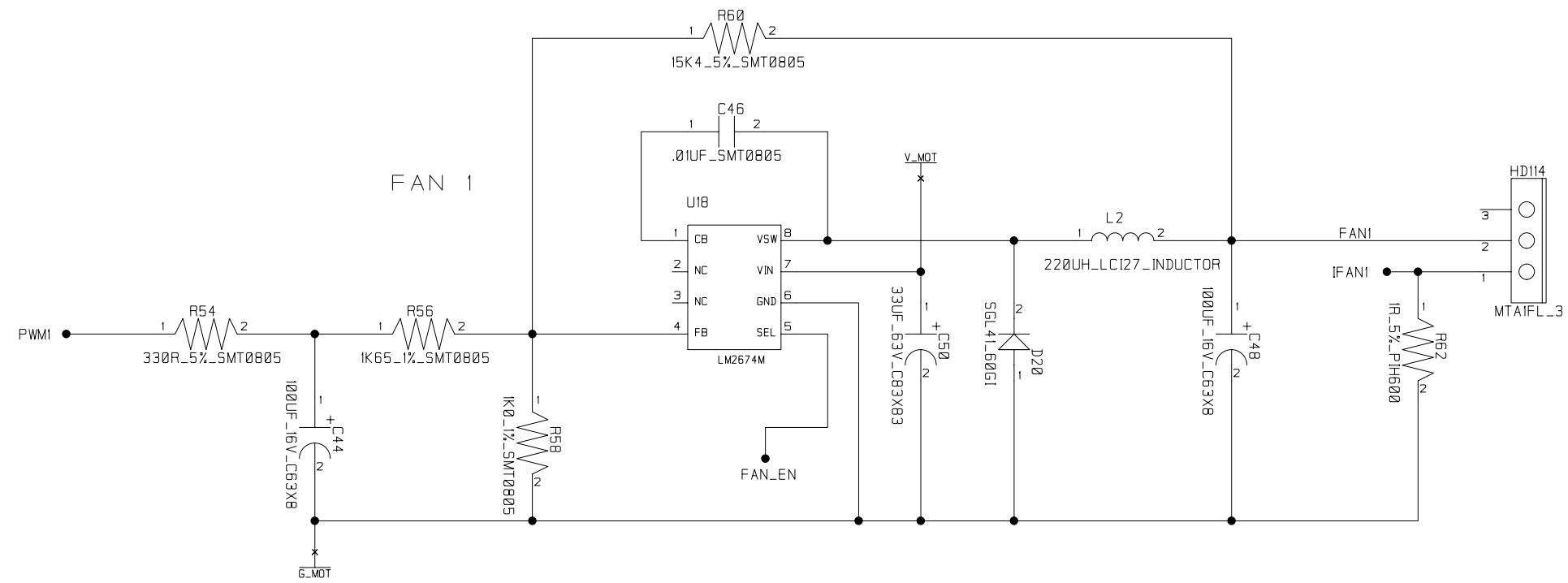
3 PHASE PROTECTION




HIGH END SYSTEMS INC.		2105 GRACY FARMS LANE AUSTIN, TX 78758			
DESIGN	B. Jurek	SIZE	FSCM NO.	DWG. NO.	REV.
DRAWN	K. Lowe	B		80010186	1.2.3
ISSUED	09-19-06	SCALE		SHEET 10 of 13	

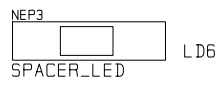



HIGH END SYSTEMS INC.		2105 GRACY FARMS LANE AUSTIN, TX 78758			
DESIGN	B. Jurek	SIZE	FSCM NO.	DWG. NO.	REV.
DRAWN	K. Lowe	B		80010186	1.2.3
ISSUED	09-19-06	SCALE		SHEET	11 of 13



HIGH END SYSTEMS INC.		2105 GRACY FARMS LANE AUSTIN, TX 78758			
DESIGN	B. Jurek	SIZE	FSCM NO.	DWG. NO.	REV.
DRAWN	K. Lowe	b		80010186	1.2.3
ISSUED	09-19-06	SCALE			SHEET 12 of 13

LED SPACERS



HIGH END SYSTEMS INC.					
2105 GRACY FARMS LANE AUSTIN, TX 78758					
DESIGN	B. Jurek	SIZE	FSCM NO.	DWG. NO.	REV.
DRAWN	K. Lowe	a		80010186	1.2.3
ISSUED	09-19-06	SCALE			SHEET 13 of 13