

REVISION HISTORY

SCH REV	PCB REV	ECO#	DATE	COMMENT
1.0	1.0		02-17-05	INITIAL RELEASE
1.1	1.1	1724	06-03-05	BOM / MOUNTING HOLE CHANGES - NOT PRODUCED, ROLLED INTO EC#1727
1.2	1.2	1727	06-03-05	BOM CHANGES - RELEASED FOR PRODUCTION
1.2.1	1.2	1758	07-25-05	BOM CHANGE - R13 CHANGED TO 1K OHM
1.2.2	1.2	1795	08-26-05	BOM CHANGE - L1 CHANGED TO 1A PART / ASSEMBLY DRAWING CHANGE
1.2.3	1.2	2088	09-18-06	BOM CHANGE - ADD TUBING TO VERT RESISTORS / ASM DRAWING CHANGE

DL2 HEAD BOARD

ASM: 80010174 REV: 1.2.3
PCB: 90030157 REV: 1.2

- 1) TITLE
- 2) CPU / FRAM
- 3) VOLTAGE REGULATORS
- 4) DIGITAL to ANALOG
- 5) FAN DRIVERS
- 6) COM
- 7) SENSORS
- 8) MOTOR DRIVER
- 9) MOTOR DRIVER
- 10) MOTOR DRIVER
- 11) MOTOR DRIVER
- 12) 3 PHASE MOTOR DRIVERS
- 13) 3 PHASE PROTECTION
- 14) ENCODER CPU
- 15) CPU RPACS
- 16) MECHANICAL PARTS

Copyright (c) 1994-2005 High End Systems, Inc. All rights reserved worldwide.

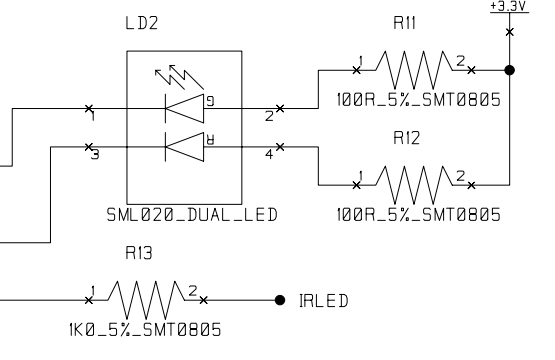
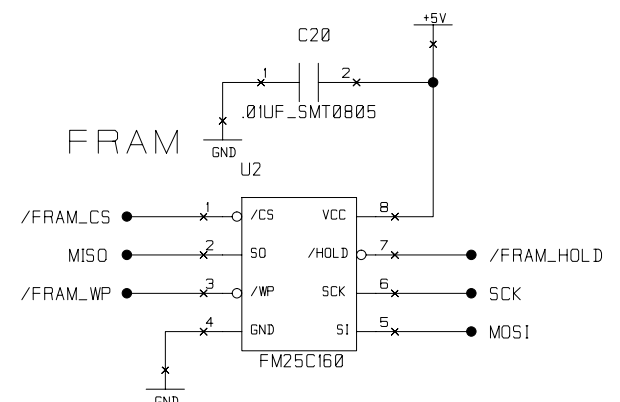
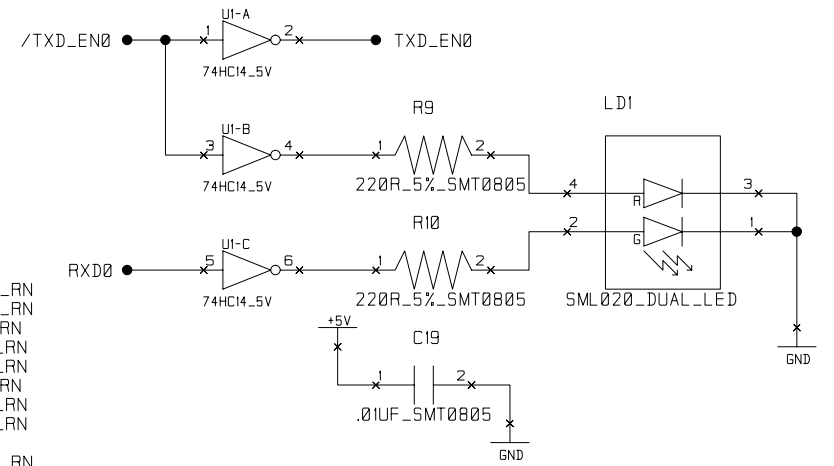
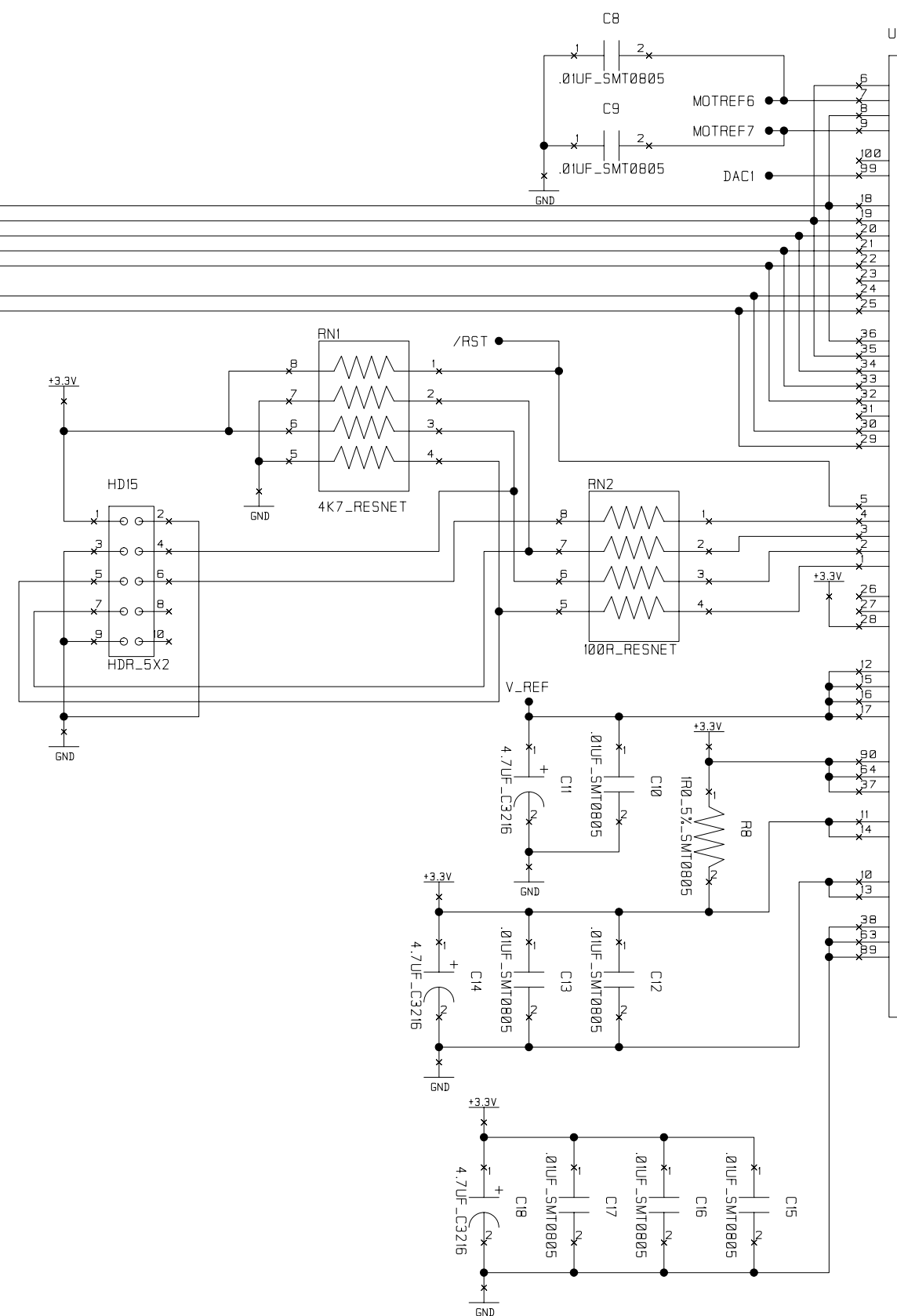
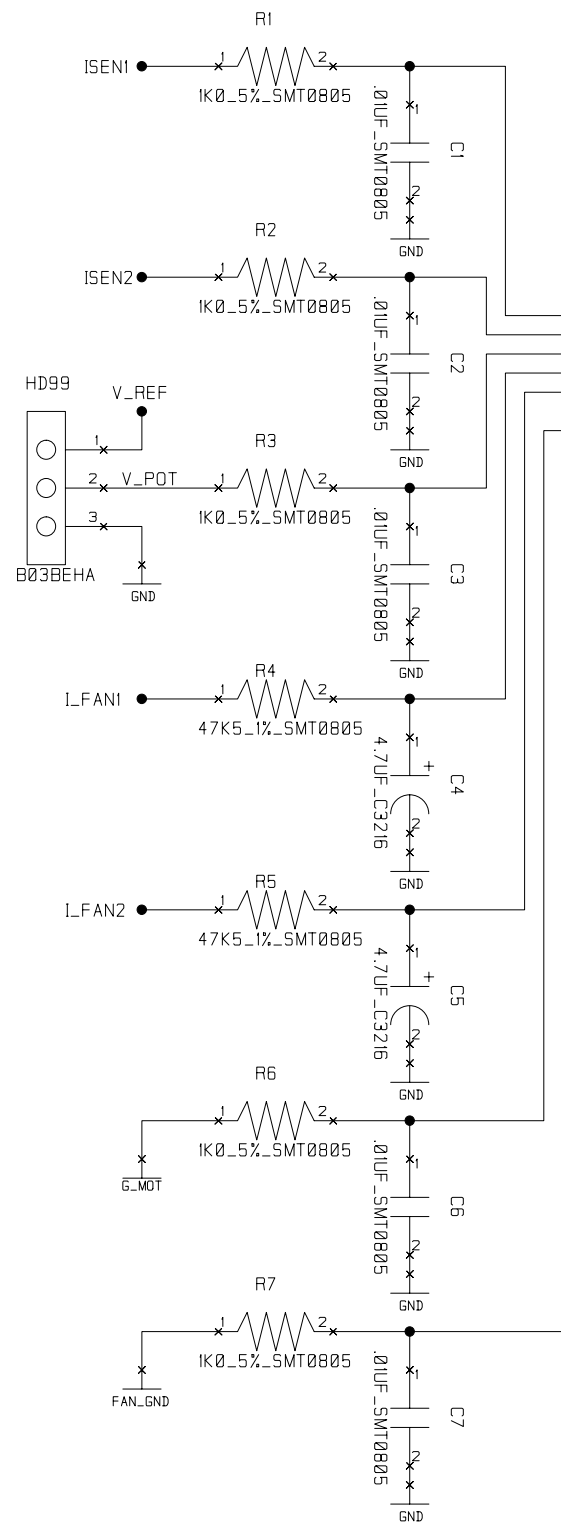
Name, Lightwave Research, the Lightwave Research logo, High End Systems and the High End Systems logo are registered trademarks of High End Systems, Inc. Trademarks and trade names of others may be used in this document to refer to either such other entities or to their products. High End Systems, Inc. disclaims any proprietary interest or connection to such marks or entities.

HIGH END SYSTEMS INC.

2105 GRACY FARMS LANE
AUSTIN, TX 78758



DRAWN	K. Lowe	SIZE	FSCM NO.	DWG. NO.	REV.
ISSUED	09-18-06	SCALE		80010174	1.2.3
				SHEET	1 of 16

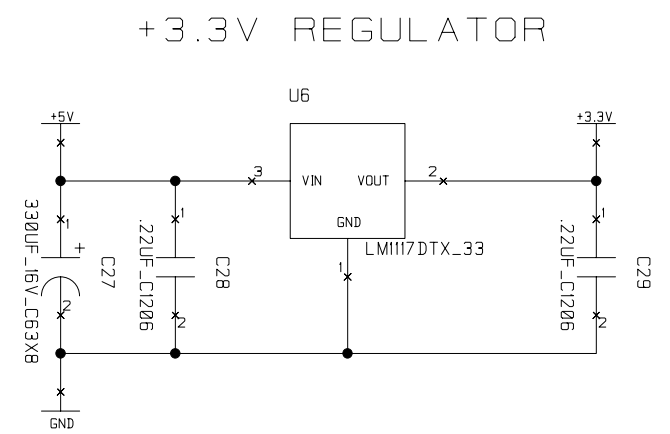
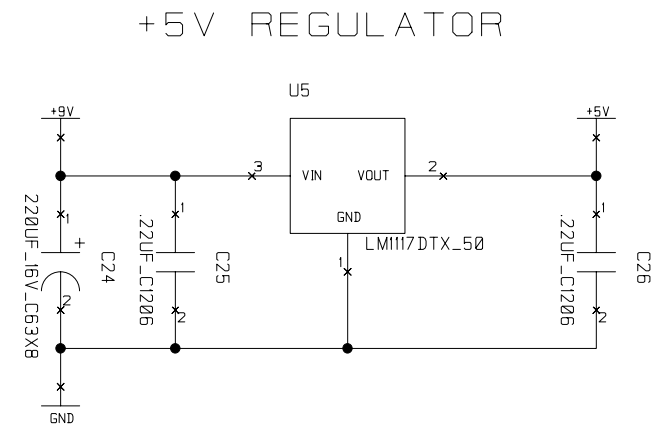
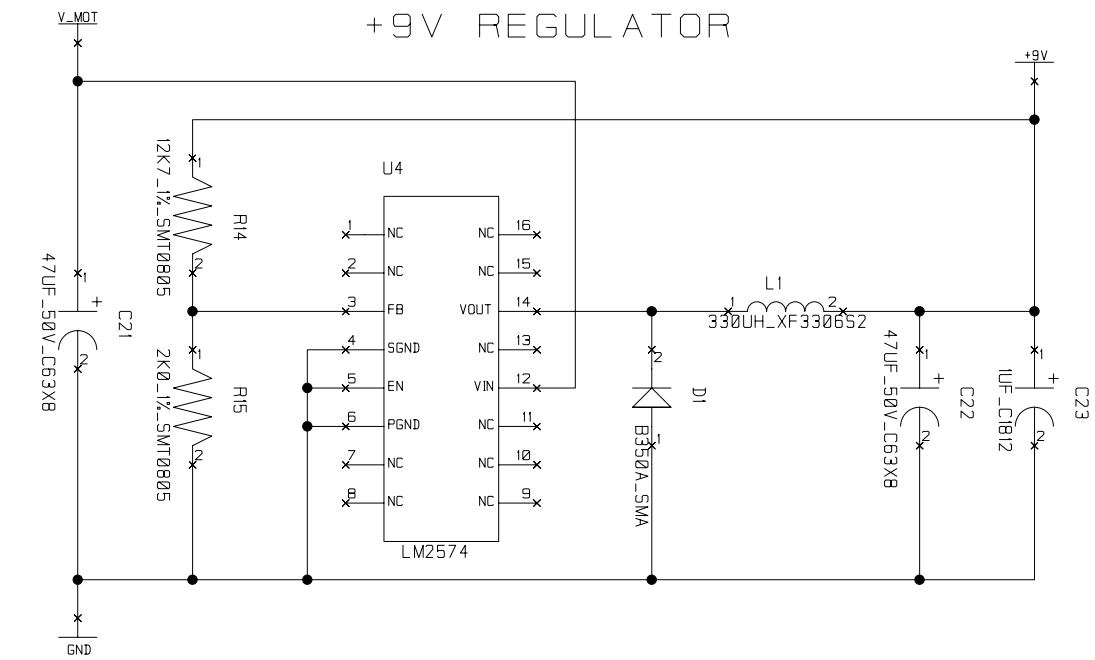


CPU1-	P0.0	62	TXD0_RN
CPU1+	P0.1	61	RXD0_RN
CPU0-	P0.2	60	SCK_RN
CPU0+	P0.3	59	MISO_RN
	P0.4	58	MOSI_RN
DAC0	P0.5	57	NSS_RN
DAC1	P0.6	56	TXD1_RN
	P0.7	55	RXD1_RN
AIN0.0	P2.0	46	PWM0_RN
AIN0.1	P2.1	45	PWM1_RN
AIN0.2	P2.2	44	PWM2_RN
AIN0.3	P2.3	43	PWM3_RN
AIN0.4	P2.4	42	PWM4_RN
AIN0.5	P2.5	41	PWM5_RN
AIN0.6	P2.6	40	SEN_NSS_RN
AIN0.7	P2.7	39	WDT_RN
AIN2.0/P1.0	P3.0	54	/TXD_EN0_RN
AIN2.1/P1.1	P3.1	53	3PH_PCK_RN
AIN2.2/P1.2	P3.2	52	DA_LOAD_RN
AIN2.3/P1.3	P3.3	51	DA_LDAC_RN
AIN2.4/P1.4	P3.4	50	
AIN2.5/P1.5	P3.5	49	PHASE0_RN
AIN2.6/P1.6	P3.6	48	PHASE1_RN
AIN2.7/P1.7	P3.7	47	PHASE2_RN
/RST	P4.0	98	PHASE3_RN
TDO	P4.1	97	PHASE4_RN
TDI	P4.2	96	PHASE5_RN
TCK	P4.3	95	PHASE6_RN
TMS	P4.4	94	PHASE7_RN
XTAL1	P4.5	93	
XTAL2	P4.6	92	
MONEN	P4.7	91	
VREF	P5.0	88	DISABL0_RN
VREFD	P5.1	87	DISABL1_RN
VREF0	P5.2	86	DISABL2_RN
VREF2	P5.3	85	DISABL3_RN
	P5.4	84	DISABL4_RN
	P5.5	83	DISABL5_RN
	P5.6	82	DISABL6_RN
	P5.7	81	DISABL7_RN
VDD3	P6.0	80	COM_SEL0_RN
VDD2	P6.1	79	/FRAM_CS_RN
VDD1	P6.2	78	/FRAM_HOLD_RN
AV+1	P6.3	77	/FRAM_WP_RN
AV+2	P6.4	76	/232EN_RN
	P6.5	75	FANTACH1_RN
	P6.6	74	FANTACH2_RN
AGND1	P6.7	73	
AGND2	P7.0	72	/FANEN1_RN
DGND1	P7.1	71	/FANEN2_RN
DGND2	P7.2	70	FANPWM1_RN
DGND3	P7.3	69	FANPWM2_RN
	P7.4	68	
	P7.5	67	3PH_EN0_RN
	P7.6	66	3PH_EN1_RN
	P7.7	65	

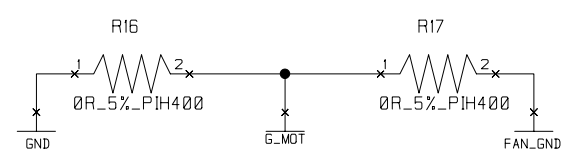
HIGH END SYSTEMS INC.

2105 GRACY FARMS LANE
AUSTIN, TX 78758

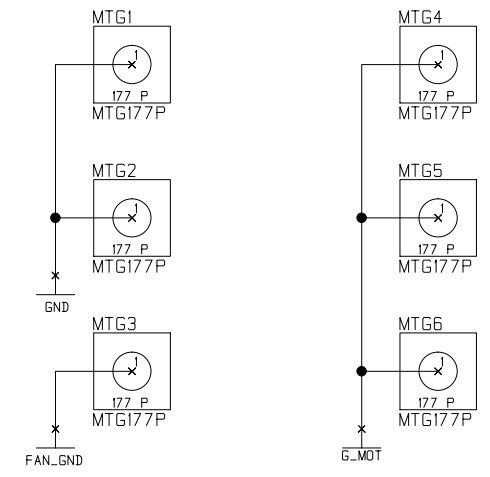
DRAWN	K. Lowe	SIZE	FSCM NO.	DWG. NO.	REV.
ISSUED	09-18-06	SCALE		80010174	1.2.3
				SHEET 2 of 16	



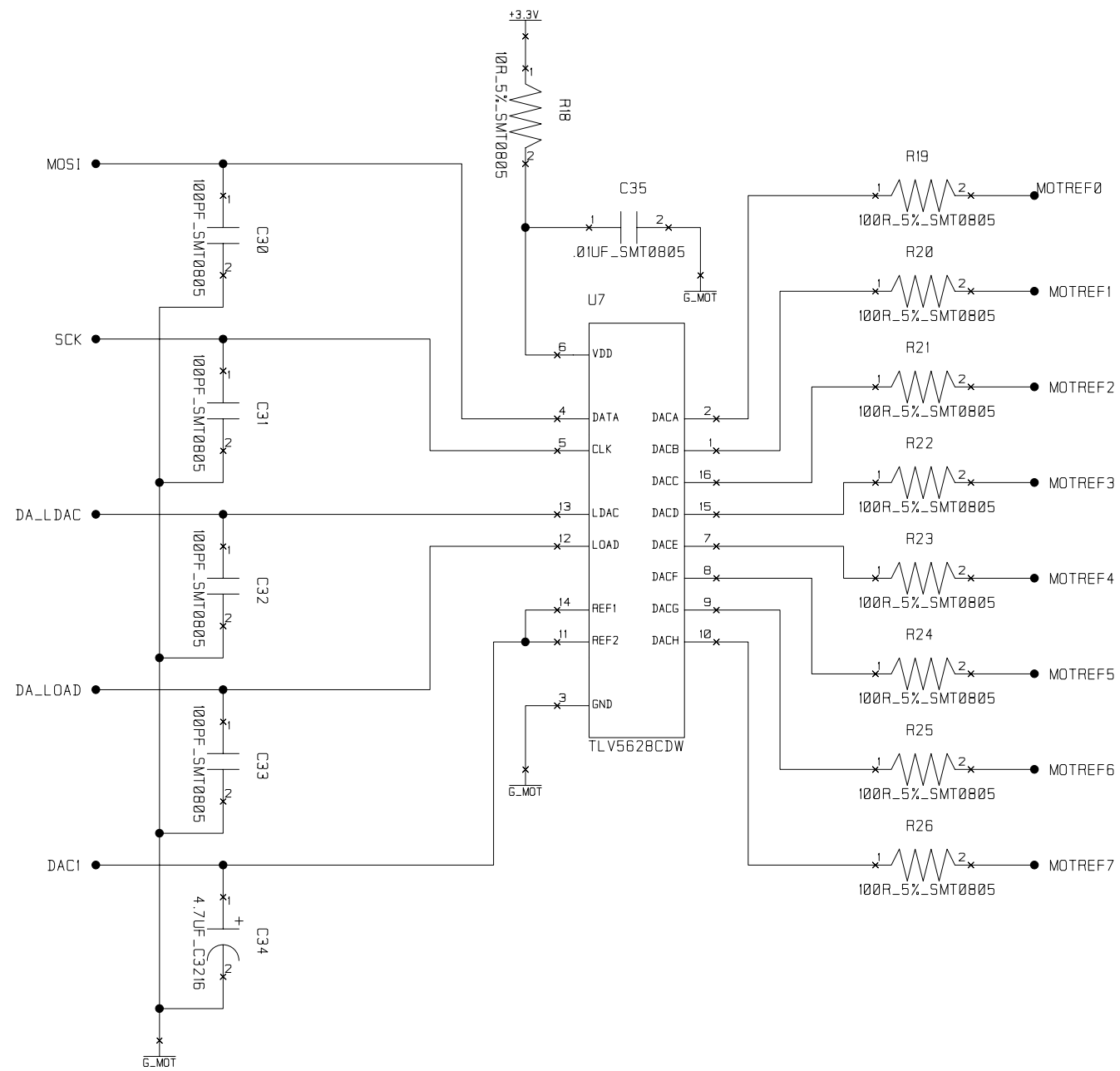
GND JUMPER OPTIONS



MOUNTING HOLES



HIGH END SYSTEMS INC.					
2105 GRACY FARMS LANE AUSTIN, TX 78758					
DRAWN	K. Lowe	SIZE	FSCM NO.	DWG. NO.	REV.
ISSUED	09-18-06	B		80010174	1.2.3
SCALE			SHEET		3 of 16

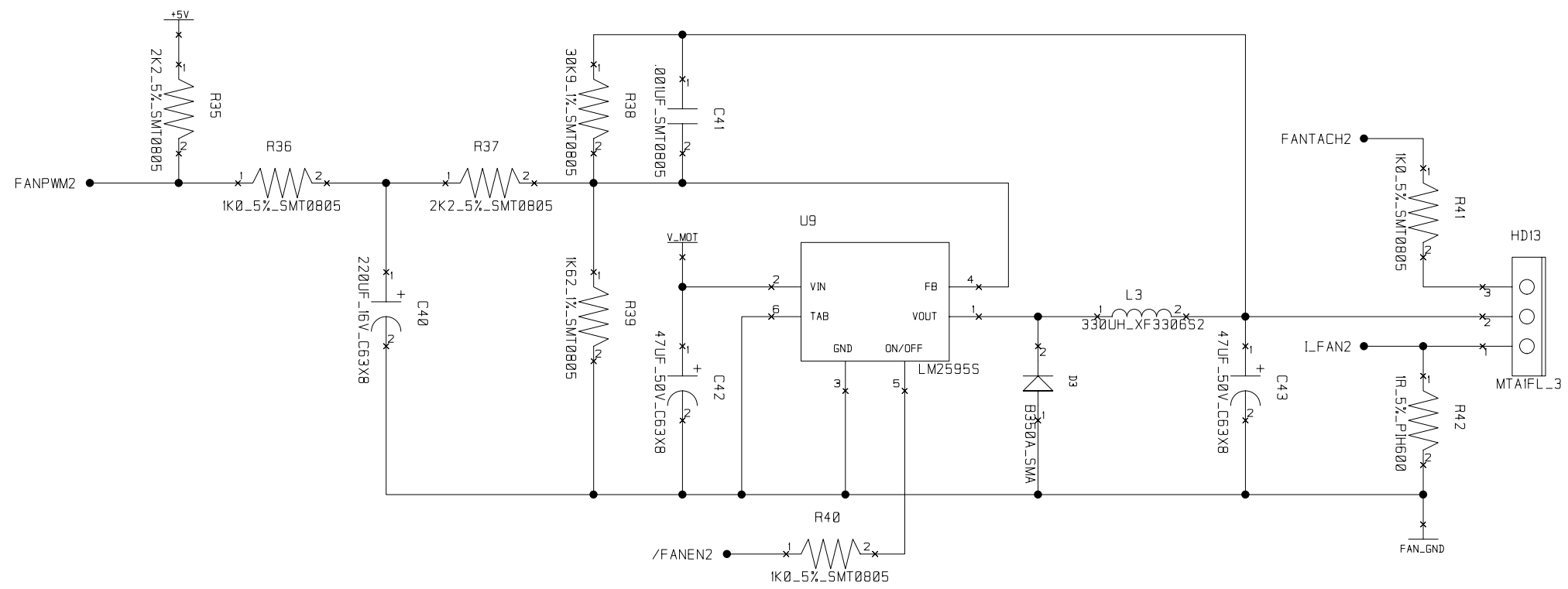
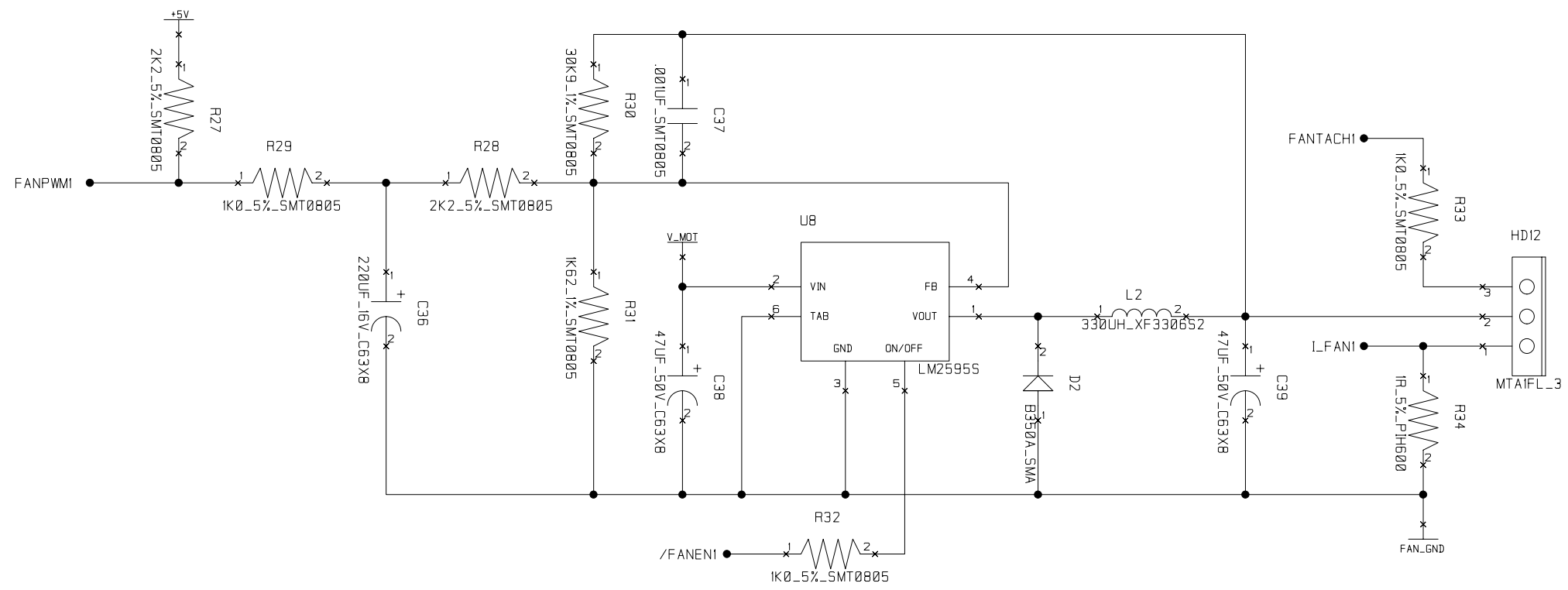


HIGH END SYSTEMS INC.

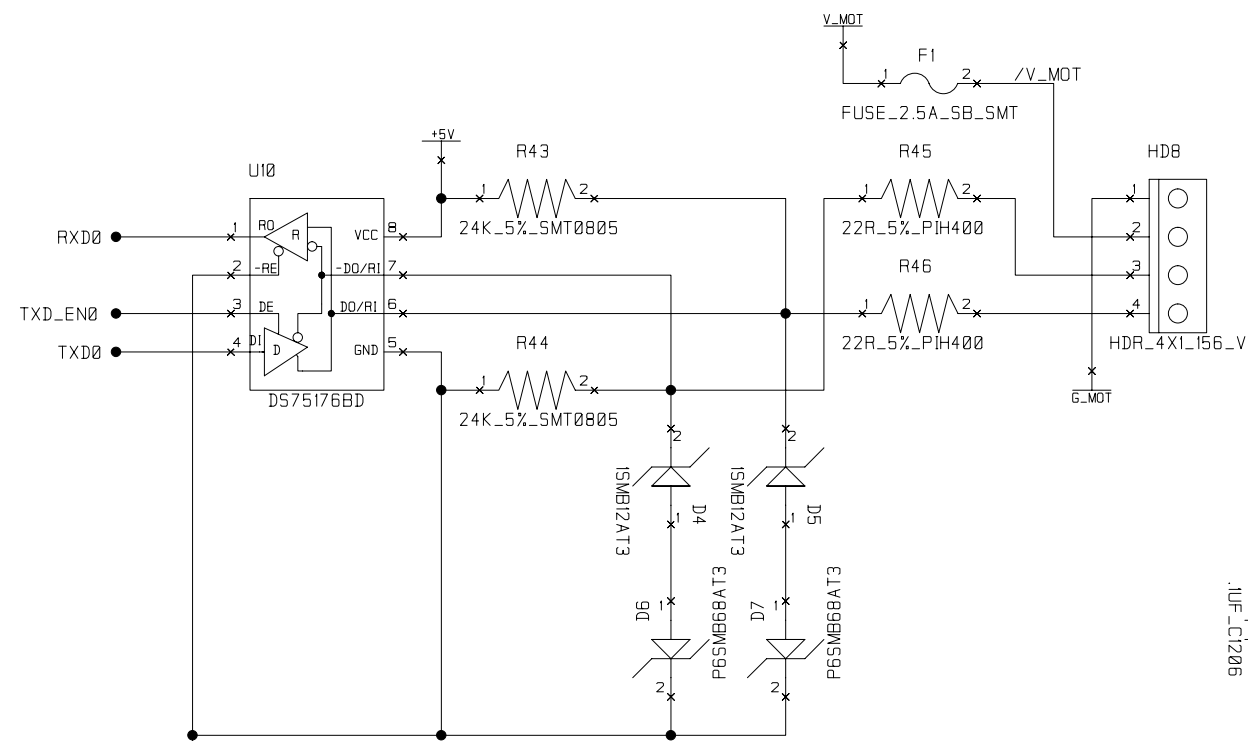
2105 GRACY FARMS LANE
AUSTIN, TX 78758



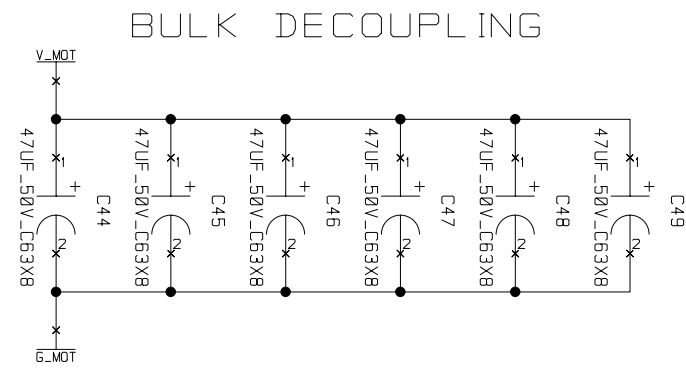
DRAWN	K. Lowe	SIZE	FSCM NO.	DWG. NO.	REV.
ISSUED	09-18-06	SCALE		80010174	1.2.3
				SHEET	
				4 of 16	



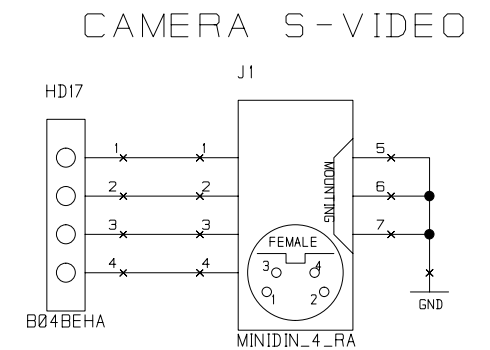
HIGH END SYSTEMS INC.					
2105 GRACY FARMS LANE AUSTIN, TX 78758					
DRAWN K. Lowe		SIZE B	FSCM NO.	DWG. NO. 80010174	REV. 1.2.3
ISSUED 09-18-06		SCALE		SHEET 5 of 16	



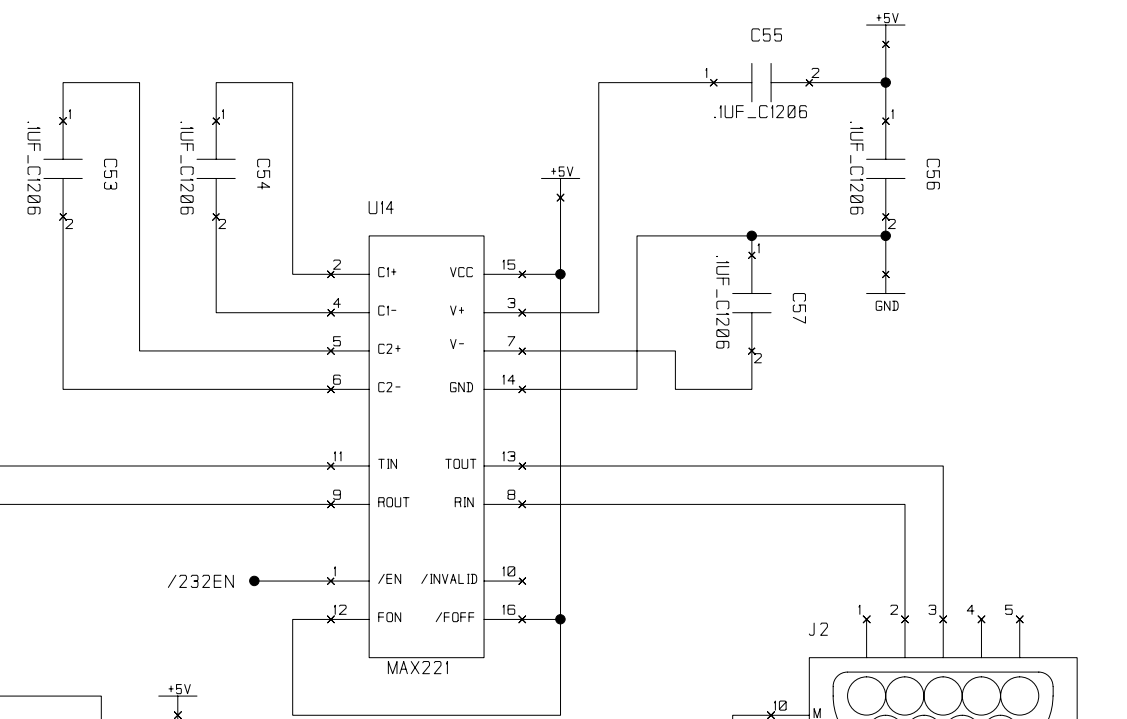
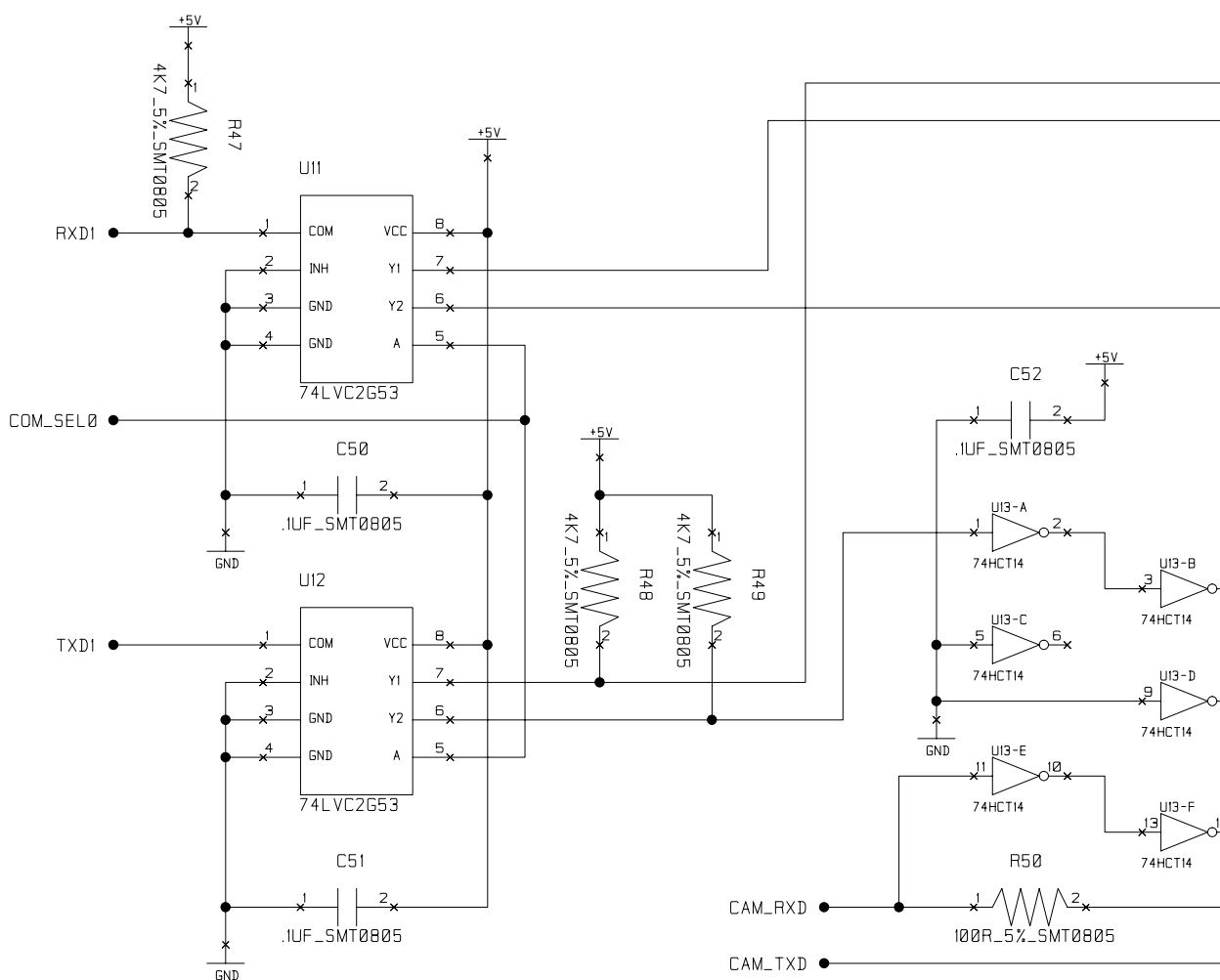
MODULE LINK



BULK DECOUPLING

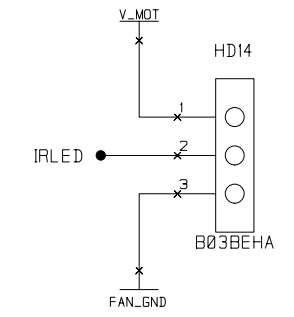


CAMERA S-VIDEO

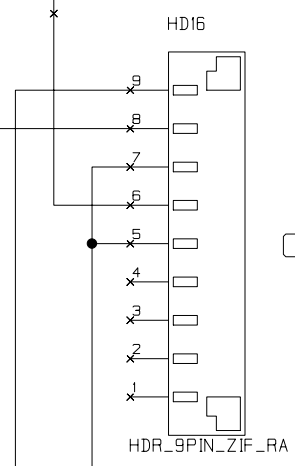


PROJECTOR

IR ILLUMINATOR

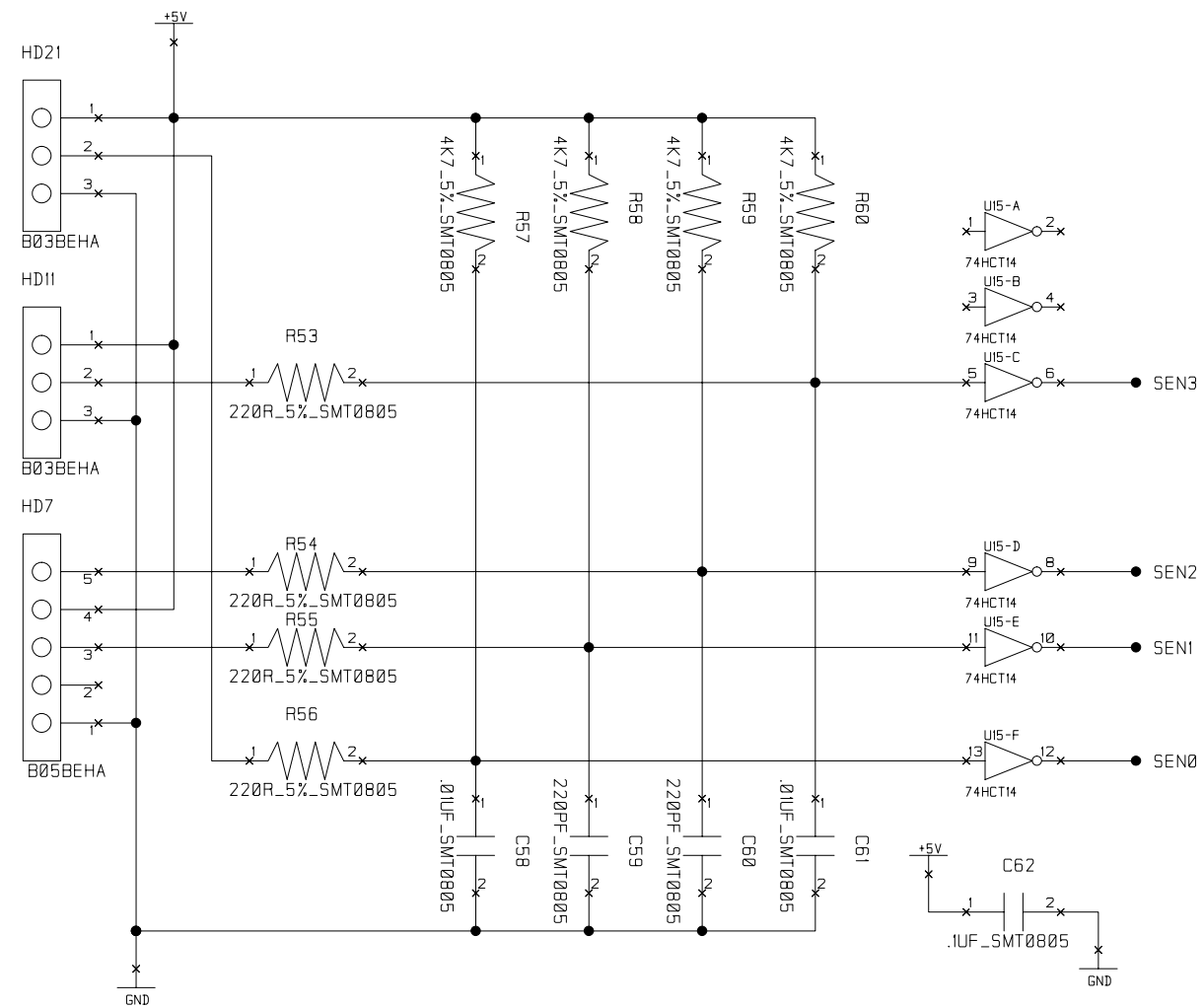


CAMERA

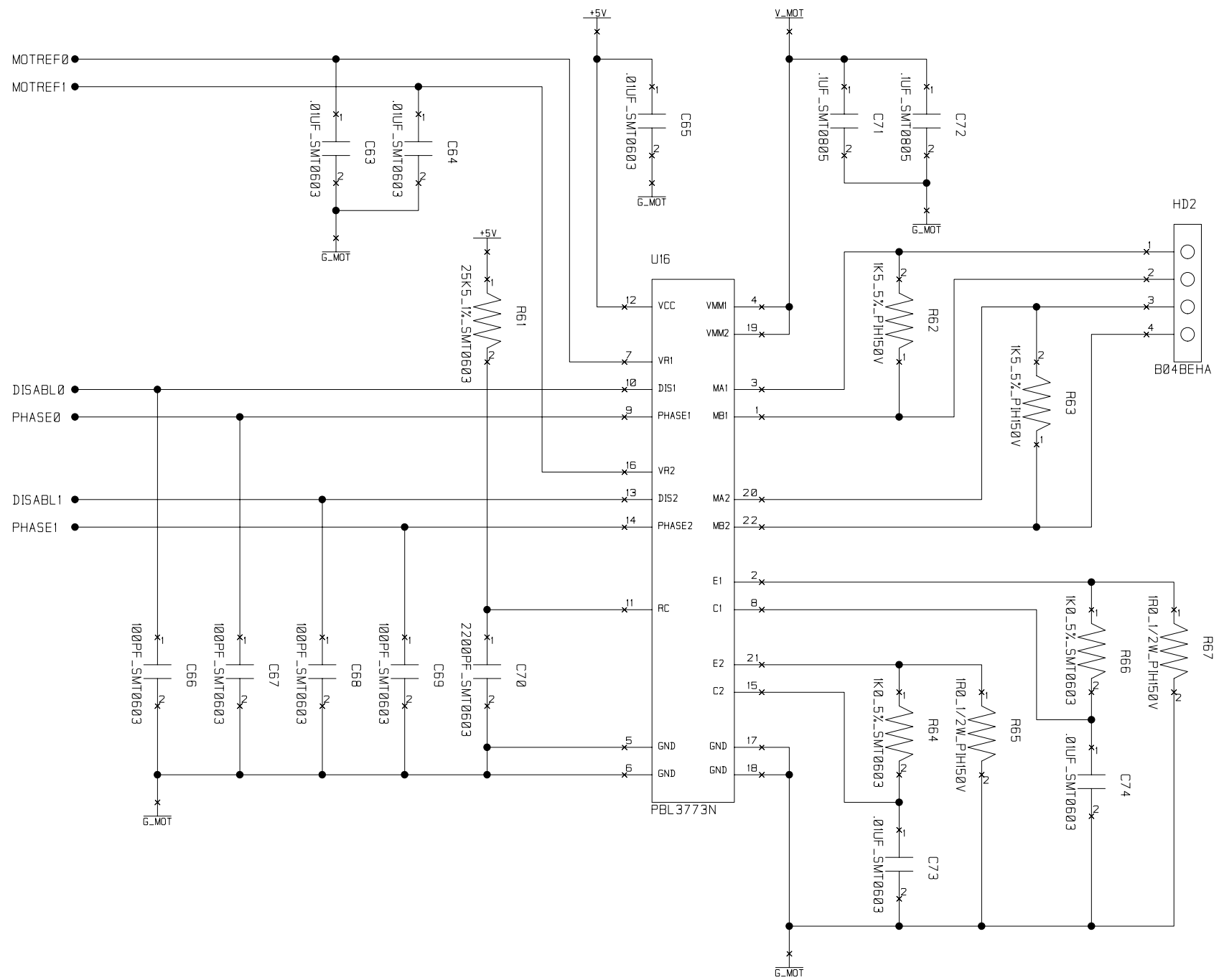


HIGH END SYSTEMS INC.
 2105 GRACY FARMS LANE
 AUSTIN, TX 78758

DRAWN	K. Lowe	SIZE	FSCM NO.	DWG. NO.	REV.
ISSUED	09-18-06	SCALE		80010174	1.2.3
				SHEET 6 of 16	

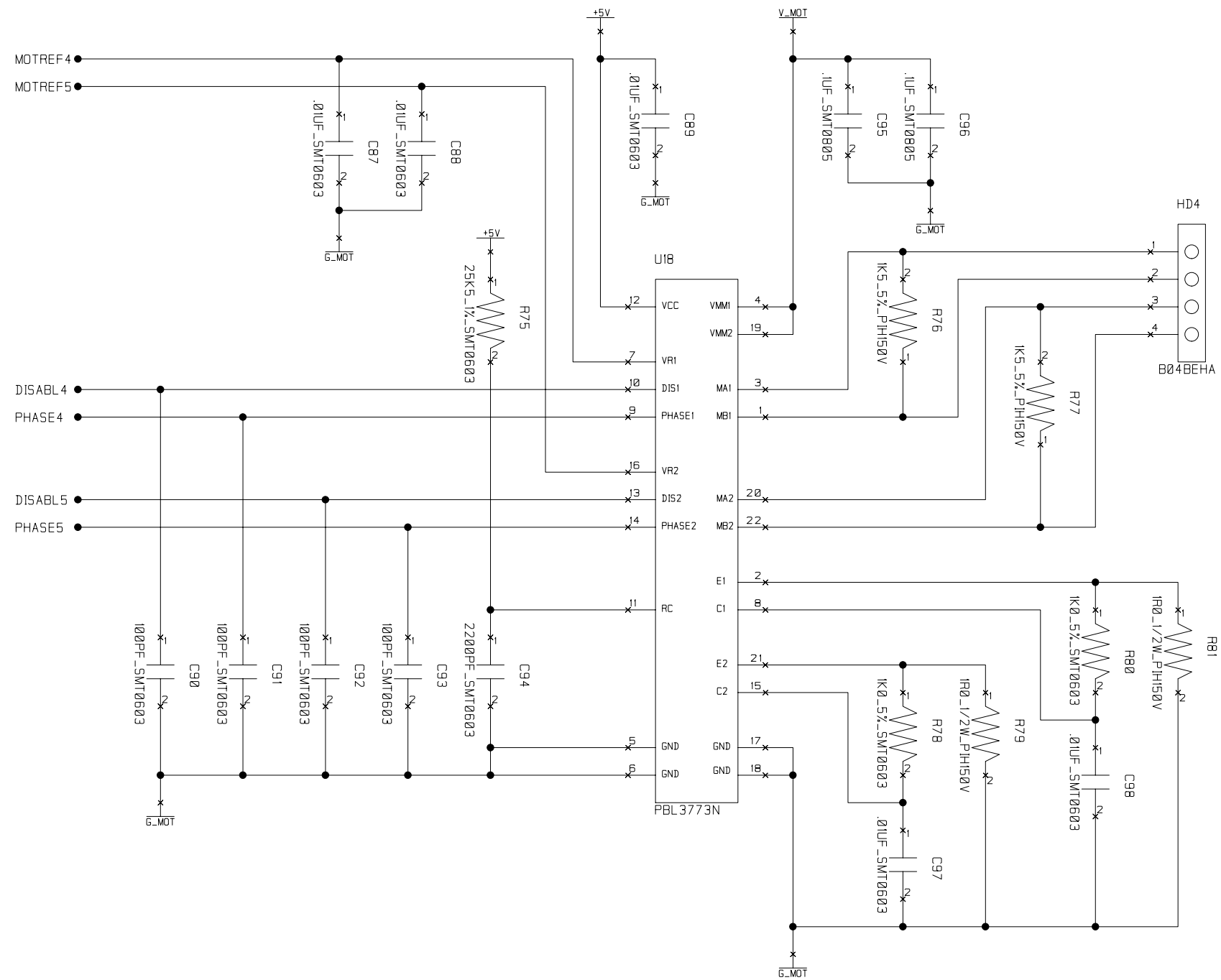


HIGH END SYSTEMS INC.					
2105 GRACY FARMS LANE AUSTIN, TX 78758					
DRAWN	K. Lowe	SIZE	FSCM NO.	DWG. NO.	REV.
ISSUED	09-18-06	B		80010174	1.2.3
SCALE		SHEET			7 of 16

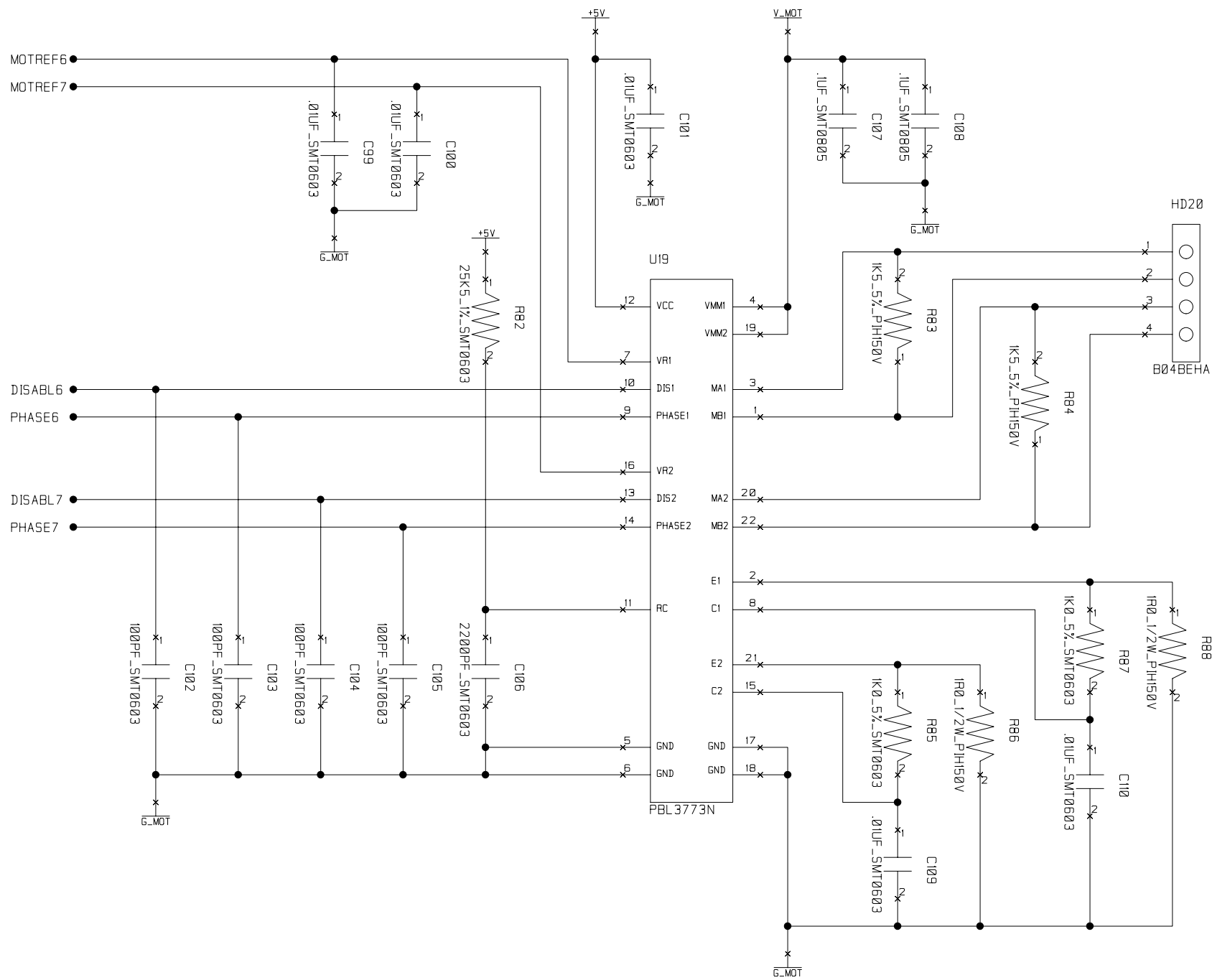



HIGH END SYSTEMS INC.
 2105 GRACY FARMS LANE
 AUSTIN, TX 78758

DRAWN	K. Lowe	SIZE	FSCM NO.	DWG. NO.	REV.
		B		80010174	1.2.3
ISSUED	09-18-06	SCALE		SHEET	
				8 of 16	



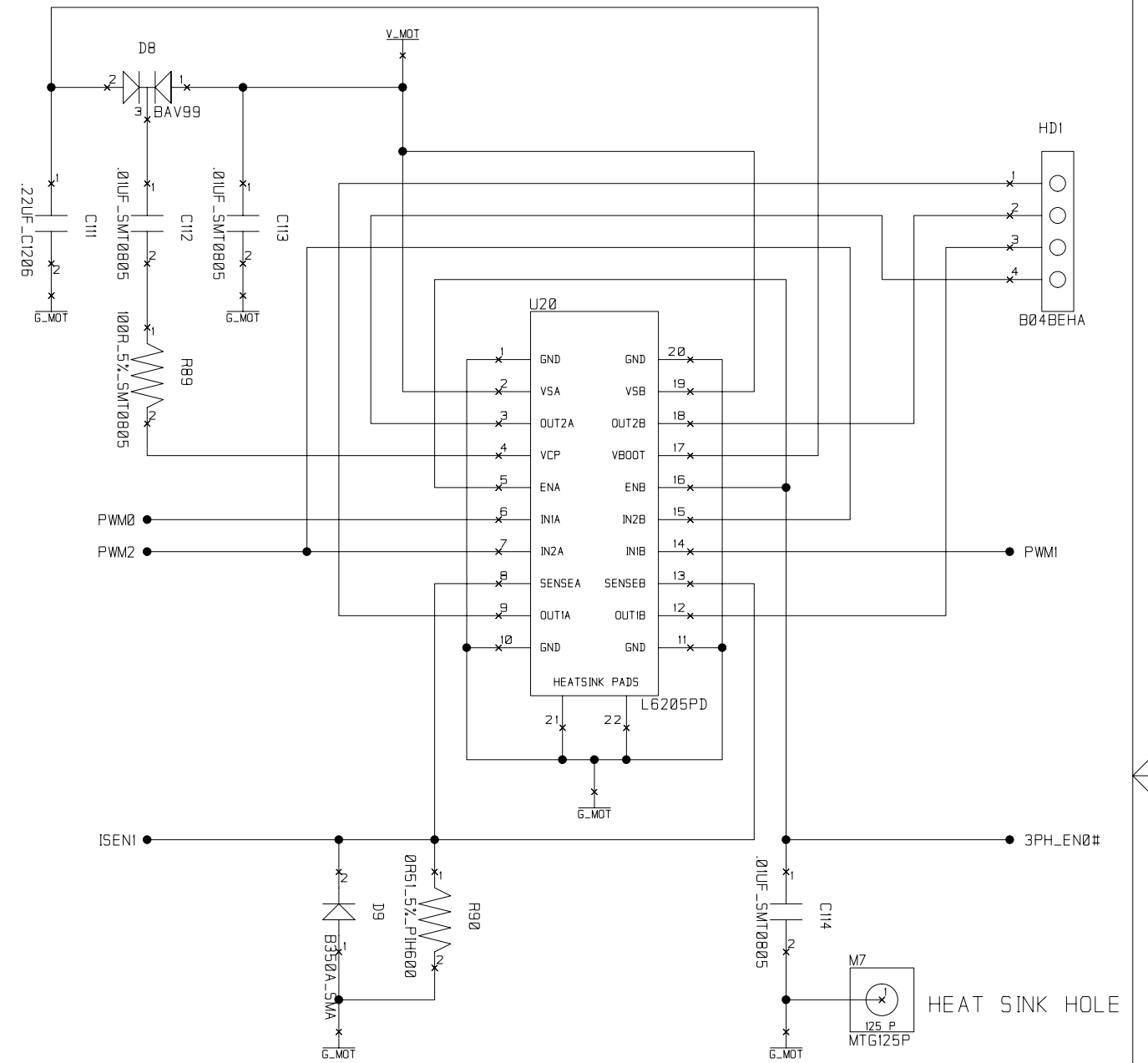
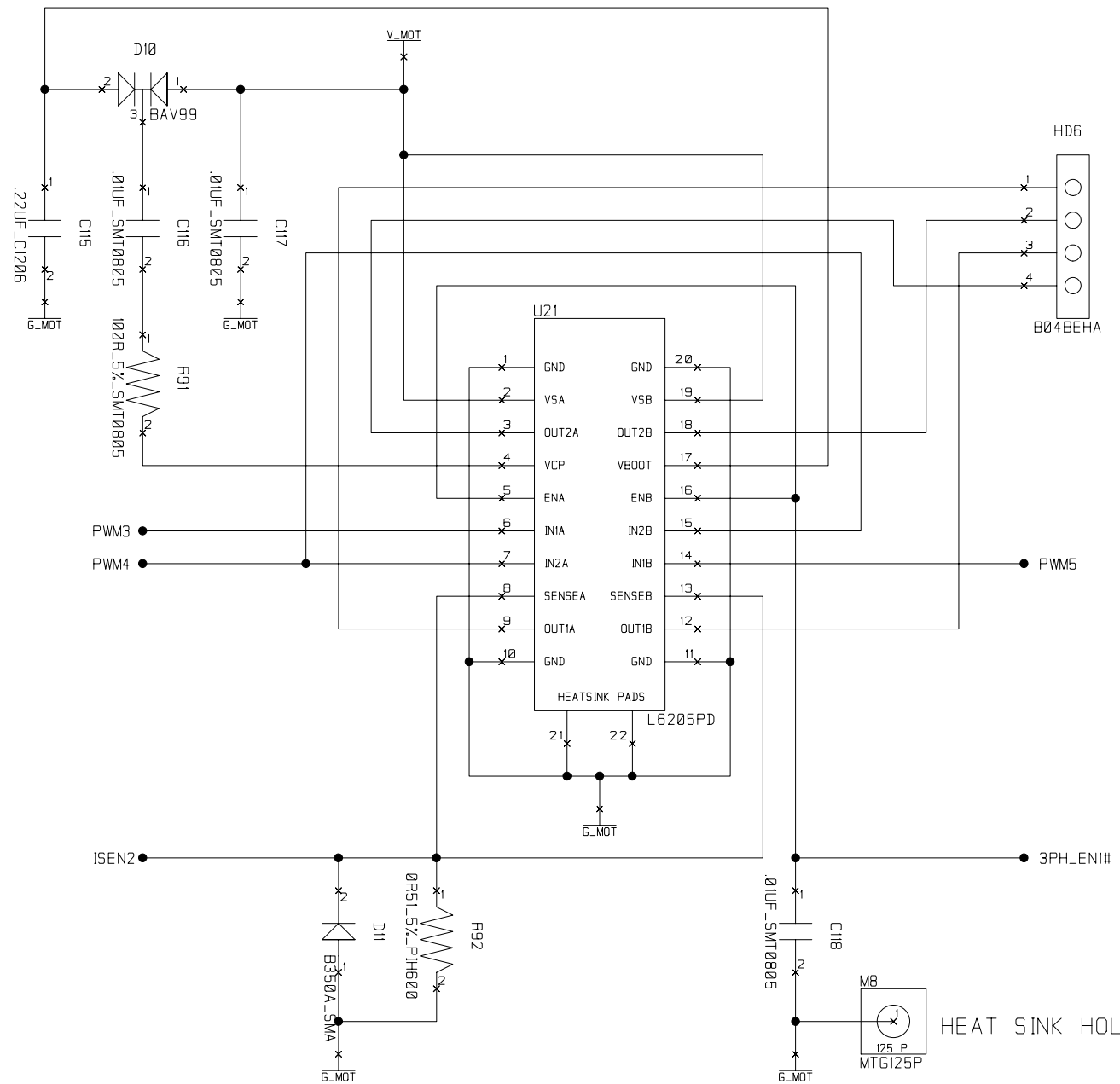
HIGH END SYSTEMS INC.		2105 GRACY FARMS LANE AUSTIN, TX 78758			
DRAWN	K. Lowe	SIZE	FSCM NO.	DWG. NO.	REV.
ISSUED	09-18-06	b		80010174	1.2.3
SCALE			SHEET		10 of 16




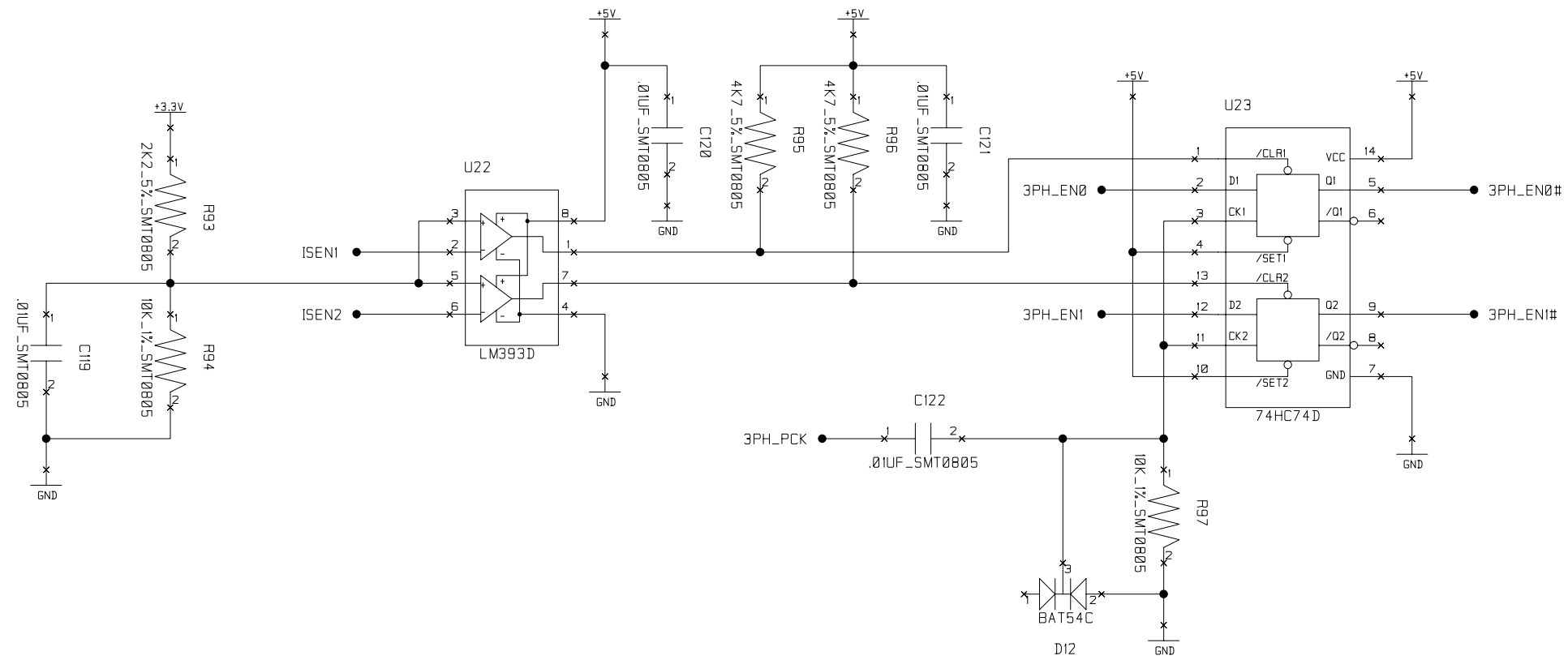
HIGH END SYSTEMS INC. 


2105 GRACY FARMS LANE
AUSTIN, TX 78758

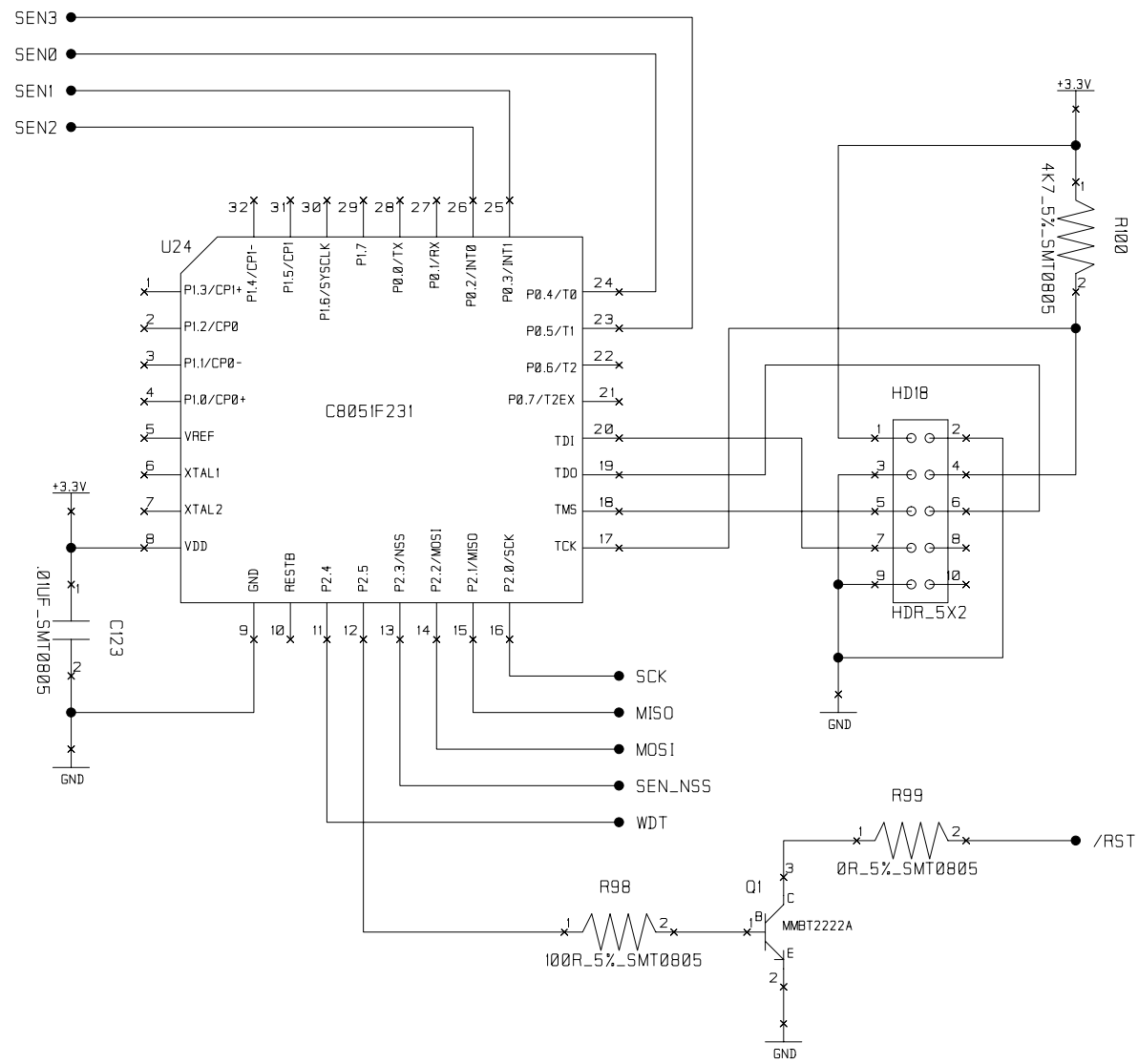
DRAWN K. Lowe	SIZE B	FSCM NO.	DWG. NO. 80010174	REV. 1.2.3
ISSUED 09-18-06	SCALE		SHEET 11 of 16	




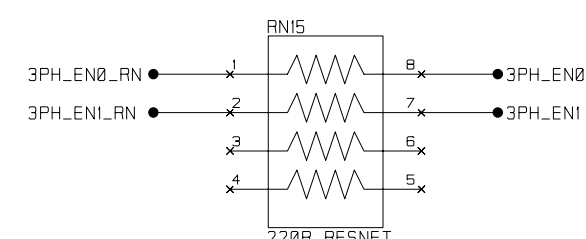
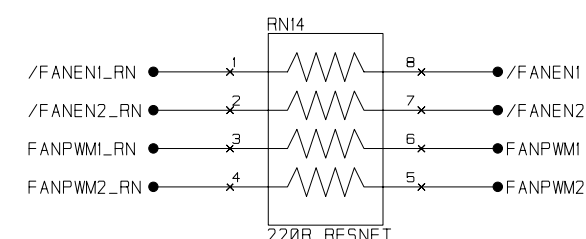
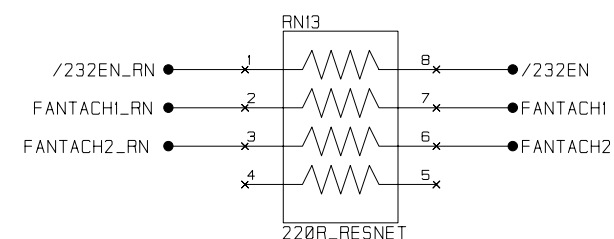
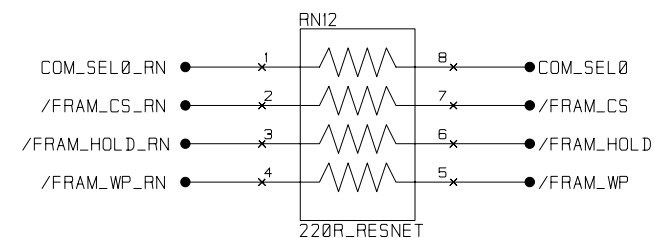
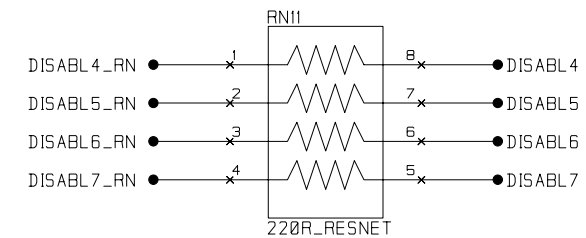
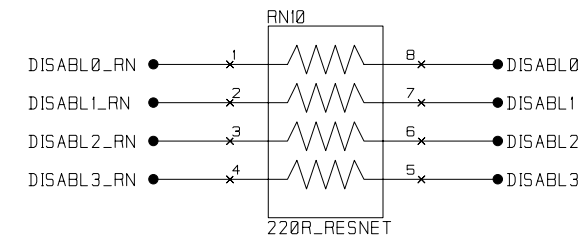
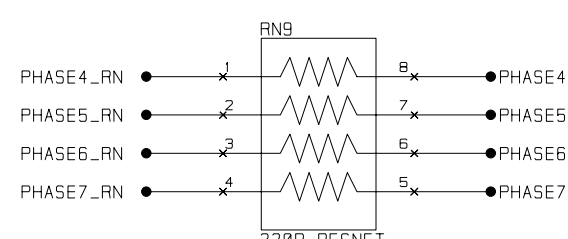
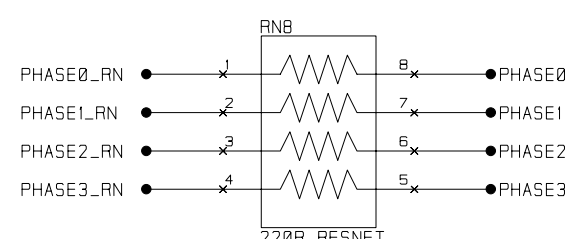
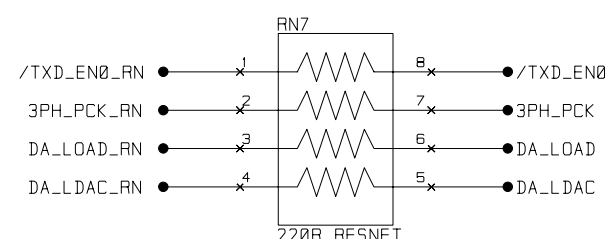
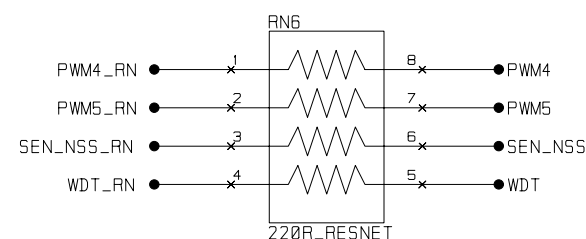
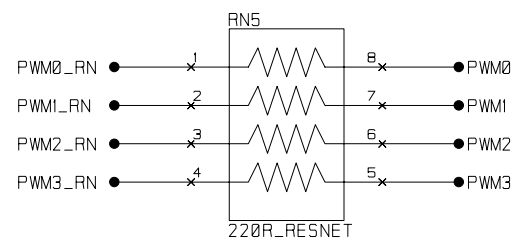
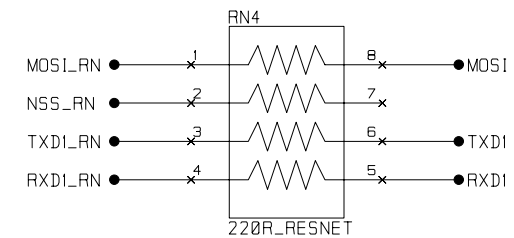
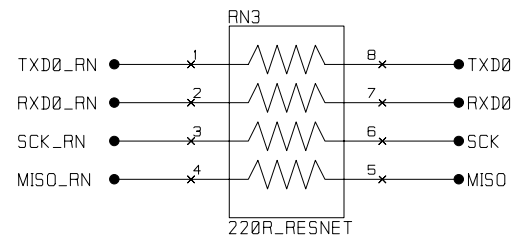
HIGH END SYSTEMS INC.				
2105 GRACY FARMS LANE AUSTIN, TX 78758				
				
DRAWN	K. Lowe	SIZE	FSCM NO.	DWG. NO.
ISSUED	09-18-06	B		80010174
SCALE				REV. 1.2.3
				SHEET 12 of 16



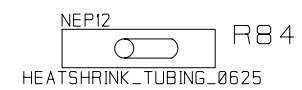
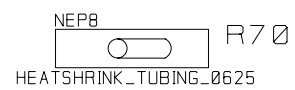
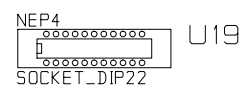
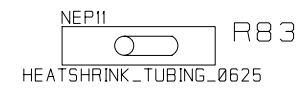
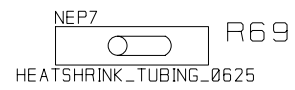
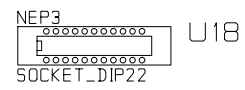
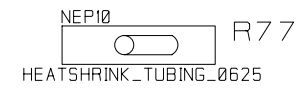
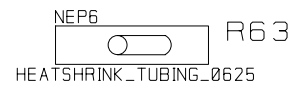
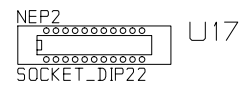
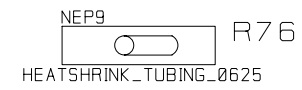
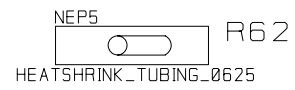
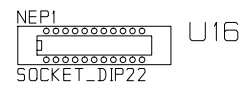
HIGH END SYSTEMS INC.					
2105 GRACY FARMS LANE AUSTIN, TX 78758					
DRAWN	K. Lowe	SIZE	FSCM NO.	DWG. NO.	REV.
ISSUED	09-18-06	B		80010174	1.2.3
SCALE		SHEET			13 of 16



HIGH END SYSTEMS INC.					
2105 GRACY FARMS LANE AUSTIN, TX 78758					
DRAWN	K. Lowe	SIZE	FSCM NO.	DWG. NO.	REV.
ISSUED	09-18-06	B		80010174	1.2.3
SCALE		SHEET			14 of 16



HIGH END SYSTEMS INC.					
2105 GRACY FARMS LANE AUSTIN, TX 78758					
DRAWN	K. Lowe	SIZE	FSCM NO.	DWG. NO.	REV.
ISSUED	09-18-06	B		80010174	1.2.3
SCALE			SHEET		15 of 16



HIGH END SYSTEMS INC.

2105 GRACY FARMS LANE
AUSTIN, TX 78758



DRAWN	K. Lowe	SIZE	FSCM NO.	DWG. NO.	REV.
ISSUED	09-18-06	a		80010174	1.2.3
		SCALE			SHEET
				16 of 16	