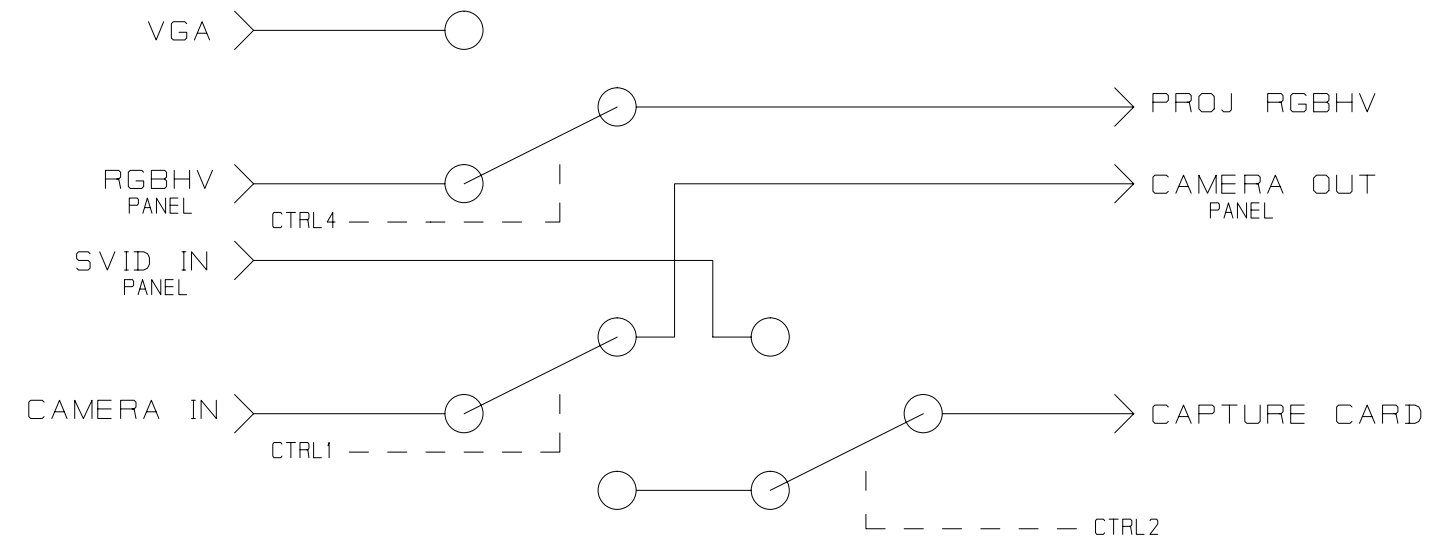


REVISION HISTORY

| SCH REV | PCB REV | ECO # | DATE | COMMENT |
|---------|---------|-------|----------|---|
| 1.0 | 1.0 | | 04-25-05 | INITIAL RELEASE |
| 1.0.1 | 1.0 | 1731 | 06-14-05 | BOM CHANGE TO J6 / NO PCB CHANGE |
| 1.0.2 | 1.0 | 1739 | 06-27-05 | BOM CHANGE TO J18 & J19 / NO PCB CHANGE |
| 1.0.3 | 1.0 | 2072 | 08-25-06 | BOM CHANGE TO K1-K7, K10-11 / NO PCB CHANGE |
| | | | | |


DL2 VIDEO INTERFACE

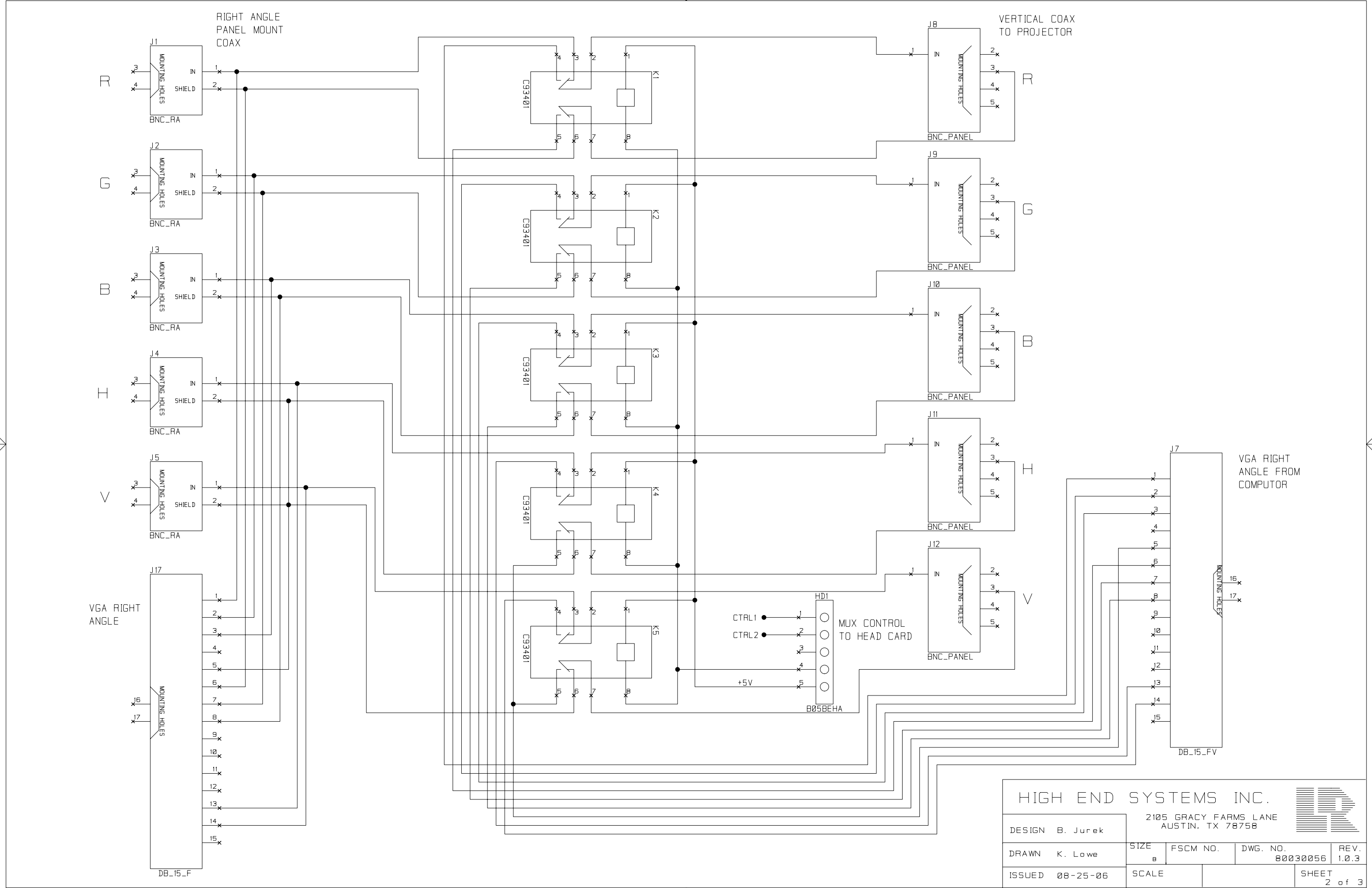
ASM: 80030056 REV: 1.0.3
PCB: 99030161 REV: 1.0



Copyright (c) 1994-2006 High End Systems, Inc. All rights reserved worldwide.

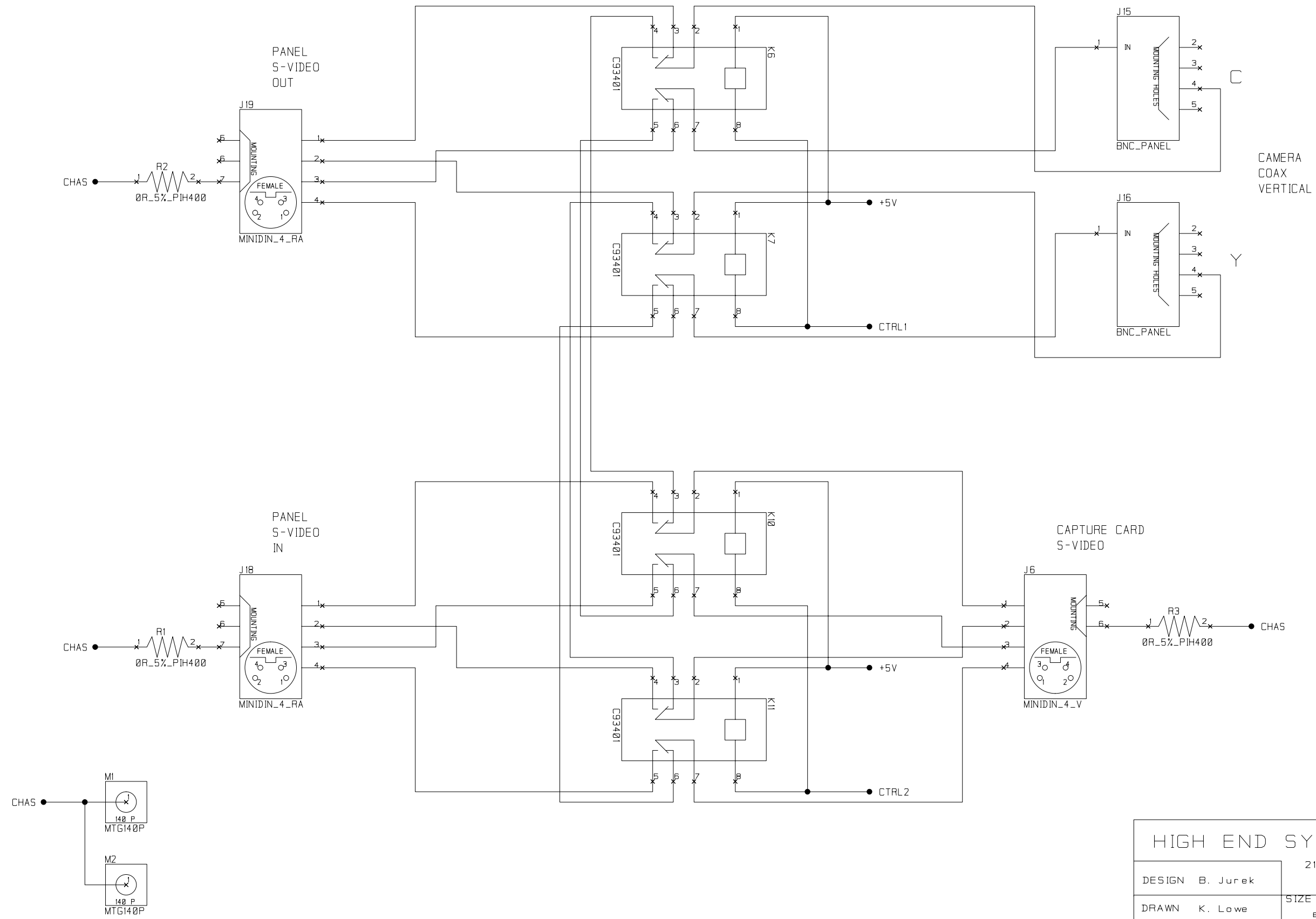
DL2, Lightwave Research, the Lightwave Research logo, High End Systems and the High End Systems logo are the registered trademarks of High End Systems, Inc. Trademarks and trade names of others may be used in this document to refer to either such other entities or to their products. High End Systems, Inc. disclaims any proprietary interest or connection to such marks or entities.

| | | | | | |
|-----------------------|----------|---|----------|---|--------|
| HIGH END SYSTEMS INC. | | 2105 GRACY FARMS LANE AUSTIN, TX 78758 | |  | |
| DESIGN | B. Jurek | SIZE | FSCM NO. | DWG. NO. | REV. |
| DRAWN | K. Lowe | a | | 80030056 | 1.0.3 |
| ISSUED | 08-25-06 | SCALE | | SHEET | 1 of 3 |



| | | | | | |
|---|----------|-------|----------|----------|--------|
| HIGH END SYSTEMS INC. | | | | | |
| 2105 GRACY FARMS LANE AUSTIN, TX 78758 | | | | | |
| DESIGN | B. Jurek | SIZE | FSCM NO. | DWG. NO. | REV. |
| DRAWN | K. Lowe | B | | 80030056 | 1.0.3 |
| ISSUED | 08-25-06 | SCALE | | | SHEET |
| | | | | | 2 of 3 |

ALL SIGNALS ARE S-VIDEO



| | | | | | |
|---|----------|-------|----------|----------|--------|
| HIGH END SYSTEMS INC. | | | | | |
| 2105 GRACY FARMS LANE AUSTIN, TX 78758 | | | | | |
| DESIGN | B. Jurek | SIZE | FSCM NO. | DWG. NO. | REV. |
| DRAWN | K. Lowe | 8 | | 80030056 | 1.0.3 |
| ISSUED | 08-25-06 | SCALE | | | SHEET |
| | | | | | 3 of 3 |