

REVISION HISTORY


| SCH REV | PCB REV | ECO# | DATE     | COMMENT         |
|---------|---------|------|----------|-----------------|
| 1.0     | 1.0     |      | 05-25-05 | INITIAL RELEASE |
|         |         |      |          |                 |
|         |         |      |          |                 |
|         |         |      |          |                 |

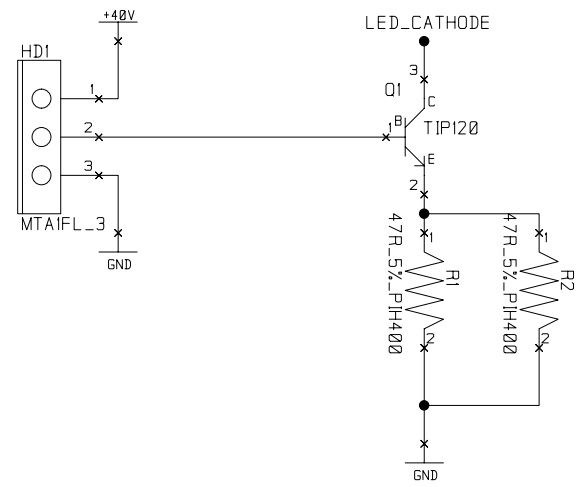
# IR ILLUMINATOR BOARD

ASM: 80060009 REV: 1.0  
PCB: 99030148 REV: 1.0

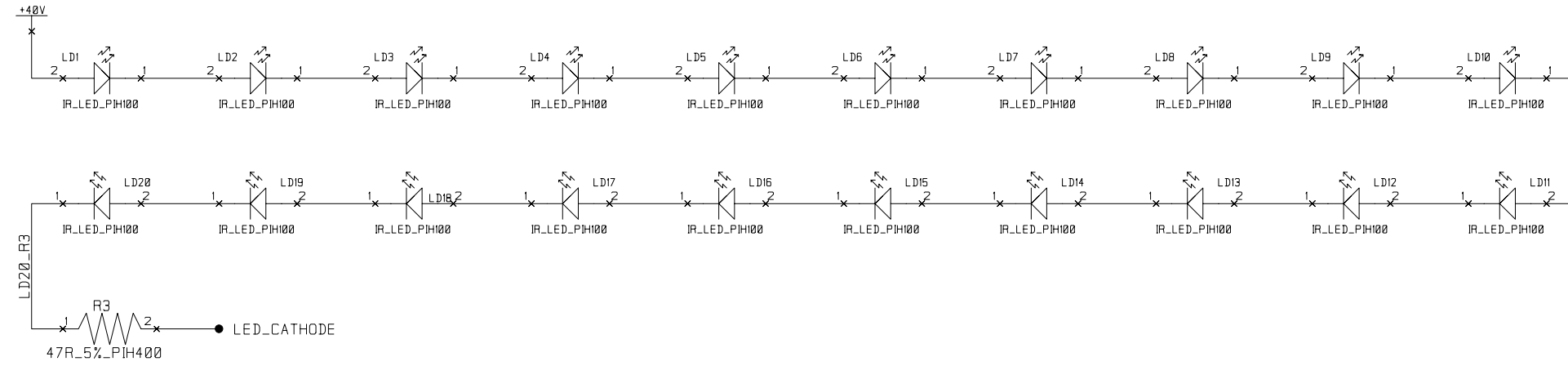
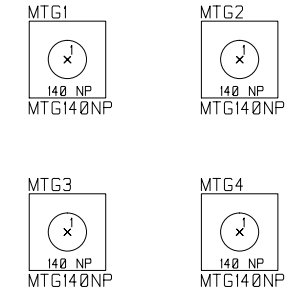
- 1) TITLE
- 2) POWER / LEDs
- 3) LEDs
- 4) MECHANICAL PARTS

Copyright (c) 1994 - 2005 High End Systems, Inc. All rights reserved worldwide. Lightwave Research, the Lightwave Research logo, High End Systems and the High End Systems logo are registered trademarks of High End Systems, Inc. Trademarks and trade names of others may be used in this document to refer to either such other entities or to their products. High End Systems, Inc. disclaims any proprietary interest or connection to such marks or entities.

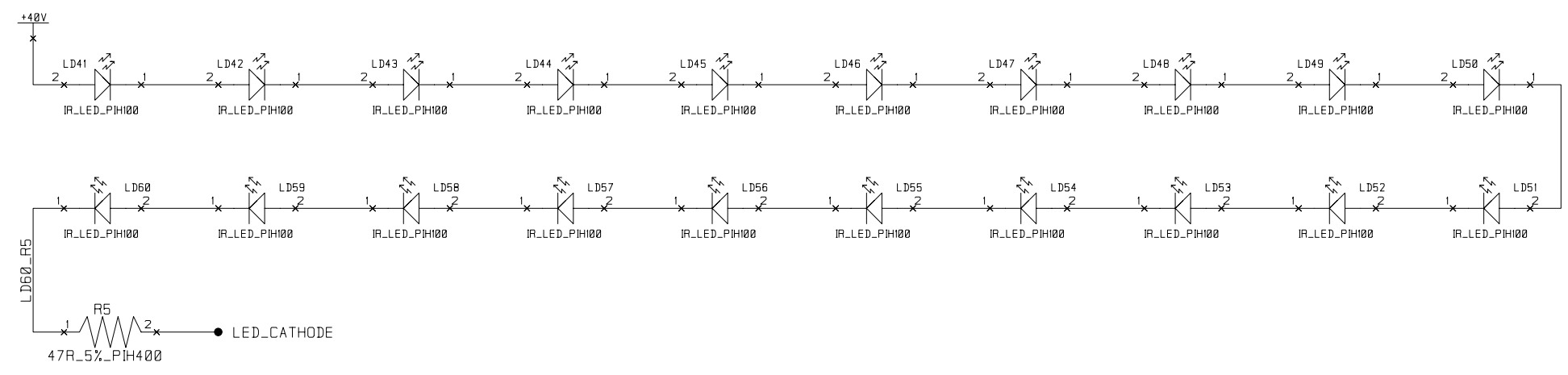
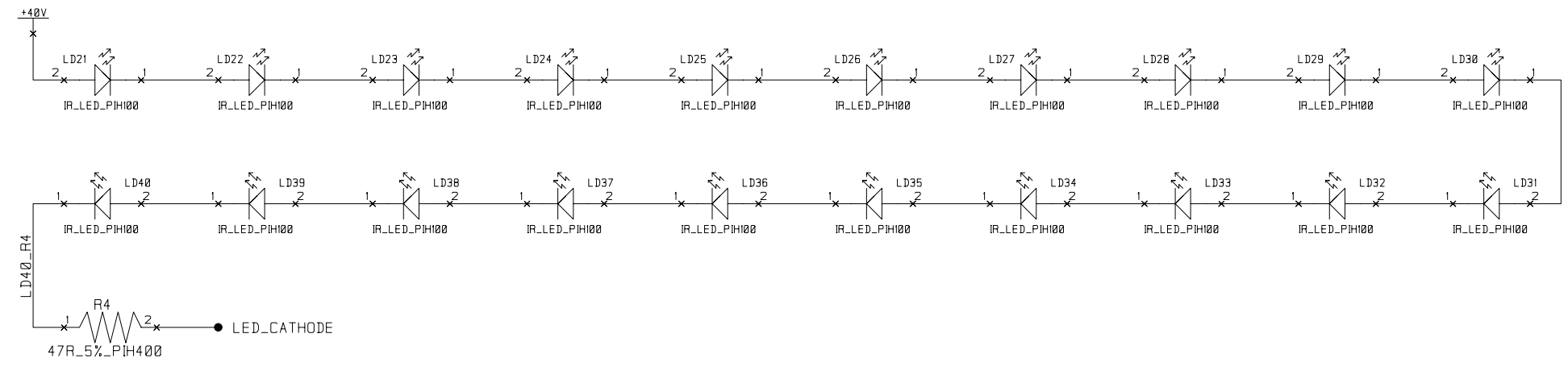
|                       |          |                                           |          |                                                                                       |
|-----------------------|----------|-------------------------------------------|----------|---------------------------------------------------------------------------------------|
| HIGH END SYSTEMS INC. |          | 2105 GRACY FARMS LANE<br>AUSTIN, TX 78758 |          |  |
| TITLE                 |          | SIZE                                      | FSCM NO. | DWG. NO.                                                                              |
| DRAWN                 | K. Lowe  | a                                         |          | 99030148                                                                              |
| ISSUED                | 05-25-05 | SCALE                                     |          | SHEET<br>1 of 4                                                                       |




MOUNTING HOLES

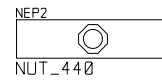
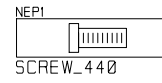


|                       |          |                                           |          |                 |      |
|-----------------------|----------|-------------------------------------------|----------|-----------------|------|
| HIGH END SYSTEMS INC. |          | 2105 GRACY FARMS LANE<br>AUSTIN, TX 78758 |          |                 |      |
| POWER / LEDs          |          | SIZE                                      | FSCM NO. | DWG. NO.        | REV. |
| DRAWN                 | K. Lowe  | b                                         |          | 99030148        | 1.0  |
| ISSUED                | 05-25-05 | SCALE                                     |          | SHEET<br>2 of 4 |      |



|                                           |          |       |          |          |                                                                                       |
|-------------------------------------------|----------|-------|----------|----------|---------------------------------------------------------------------------------------|
| HIGH END SYSTEMS INC.                     |          |       |          |          |  |
| 2105 GRACY FARMS LANE<br>AUSTIN, TX 78758 |          |       |          |          |                                                                                       |
| LEDs                                      |          | SIZE  | FSCM NO. | DWG. NO. | REV.                                                                                  |
| DRAWN                                     | K. Lowe  | B     |          | 99030148 | 1.0                                                                                   |
| ISSUED                                    | 05-25-05 | SCALE |          |          | SHEET<br>3 of 4                                                                       |

USED TO MOUNT Q1



HIGH END SYSTEMS INC.

2105 GRACY FARMS LANE  
AUSTIN, TX 78758



|        |          |       |          |          |        |
|--------|----------|-------|----------|----------|--------|
| DRAWN  | K. Lowe  | SIZE  | FSCM NO. | DWG. NO. | REV.   |
|        |          | B     |          | 99030148 | 1.0    |
| ISSUED | 05-25-05 | SCALE |          | SHEET    | 4 of 4 |