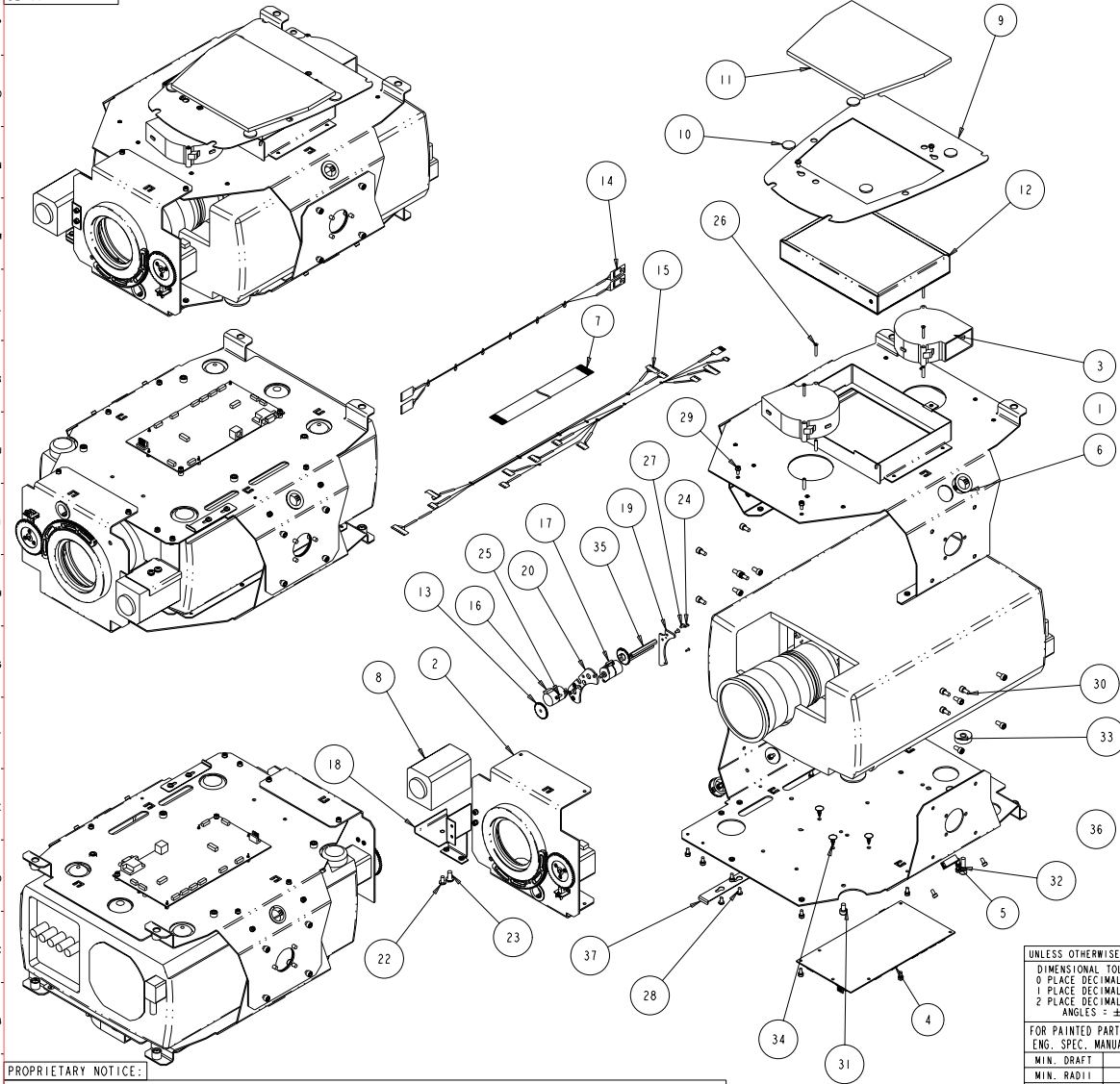


DBA004



REV.	DESCRIPTION	DATE	ENG	ECO #	APPR
4	INCORPORATE NEW AIR PLENUM/LOWER SUPRT DESIGN	06OCT04	LR		

ITEM NO.	QTY.	FILENAME	PART NO.	REV	DESCRIPTION
37	1	CAT129	99260438	-	TOOL, FILTER REMOVAL, DLI
36	1	DB155	99260469	A	SUPPORT, PROJECTOR LOWER TRAY DL
35	2	STANDOFF6MHX51	90702250	-	STANDOFF, 6MM HEX 3MM THR X SIMM L
34	4	SUPPORT_CRLCBSRE_4_01	90702207	-	STANDOFF, PCB NYLON .250
33	1	CAT336	99190088	-	SPACER, PROJECTOR MOUNT, DLI
32	1	SCREWM6AC20SS	91100620	-	SCREW, M6 SOCKET 20 SS
31	3	SCREWM6AC10SS	91100610	-	SCREW, M6 SOCKET 10 SS W/PATCH
30	14	SCREWM5AC10SSP	91100510	-	SCREW, M5 SOCKET 10 SS, W/PATCH
29	18	SCREWM4AC08BZ	91000408	-	SCREW, M4 SOCKET 08 BZ SEMS
28	4	SCREWM4PP08SBZ	91020408	-	SCREW, M4 PHIL PAN 08 SEMS BZ
27	4	SCREWM3AF06BZ	91040306	-	SCREW, M3 SOCKET CSNK FLAT 06 BZ NYTEMP
26	4	SCREWM3AF20SZP	91540320	-	SCREW, M3 CSNK FLAT 20 SZ W/PATCH
25	4	SCREWM2-5AC08SS	91102508	-	SCREW, M2.5 SOCKET 8 SS
24	2	SCREWM2AF06BZ	91040206	-	SCREW, M2 SOCKET CSNK FLAT 06 BZ NYTEMP
23	1	SCREW250-20PPW500SS	90709195	-	SCREW, 1/4-20 PHIL PAN 1/2, SS W/SEMS
22	1	SCREW10-32PPW380SS	90709196	-	SCREW, 10-32 PHIL PAN, 3/8, SS W/SEMS
21	1	DB516	90900002	-	PROJECTOR, 5000 LUMEN, 1200:1 CR
20	1	DB191	99080259	A	PLATE, MOTOR, ZOOM BRACKET DL2
19	1	DB190	99080258	A	PLATE, BASE, ZOOM BRACKET DL2
18	1	CAT161	99260421	C	MOUNT, CAMERA SUPPORT, DLI
17	1	CAT718_02	80140035	-	MOTOR, ASSY ZOOM CONTROL, DLI
16	1	CAT718_01	80140034	-	MOTOR, ASSY FOCUS CONTROL, DLI
15	1	DB702	90409187	-	HARNES, HEAD DL2
14	1	CAT711	90409160	-	HARNES, FAN, DL1
13	2	CAT261	99430108	C	GEAR, SPUR, MODULE 0.5 50T, 4 IMM
12	1	CAT503	80260014	-	FILTER, ASSY, HEPA, 14 PLEATS, DLI
11	1	CAT502	99170009	A	FILTER, AIR, FOAM 8.5 X 6.25 X .25
10	4	VELCRO-COIN750HOOK	90722019	-	FASTENER, VELCRO, VELCROIN 3/4" HOOK 88
9	1	CAT113	80071796	D	COVER, LOWER HEAD, PROJECTOR, BLK, DLI
8	1	CAT511	60040002	-	CAMERA, BLOCK, EX480B, SONY
7	1	CAT714	90409177	-	CABLE, FCC CAMERA, DLI
6	2	BUSHING-HEYCO-2140	90410030	-	BUSHING, SNAP 1" F100
5	1	BUSHING_1-00_SPLIT	90719058	-	BUSHING, OPEN/CLOSE 1.0 OD .812 ID
4	1	DB437	80010174	-	BOARD, DL2/4 HEAD CONTROL
3	2	CAT721	80270027	-	BLOWER, ASSY 28.6 CFM, W/TACH DLI
2	1	CATA021	INTERNAL	NA	ASSY, HEAD, IRIS ASSY, DLI
1	1	DBA017	80260016	-	ASSY, HEAD, AIR PLENUM DL

BILL OF MATERIALS

UNLESS OTHERWISE SPECIFIED:	RELEASE DATE:	CE:	2209 WEST BRAKER LANE AUSTIN, TEXAS 78758 (512) 832-0363 FAX (512) 832-9542 ***** http://www.highend.com	
DIMENSIONAL TOLERANCES:	ENG:	OA:		
0 PLACE DECIMAL = ±0.38	ME:			
1 PLACE DECIMAL = ±0.25	MEG:	DRW: LARRY R		
2 PLACE DECIMALS = ±0.13				
ANGLES = ±0.5°	DESCRIPTION:	HEAD, SUB-ASSY, TOP LEVEL DL2		
FOR PAINTED PARTS REFER TO	MATERIAL:	FINISH:		
ENG. SPEC. MANUAL WI-0592	CHARTED	NA		
MIN. DRAFT	INTERPRET DIMENSIONS PER	SI	PART NO.	DRAWING NO.
FLATNESS	ASME Y14.5M-1994	METRIC	INTERNAL	DBA004
THICKNESS	THIRD ANGLE PROJECTION	A1		
VOLUME	DIMENSIONS ARE IN MILLIMETERS		DO NOT SCALE	SCALE: 0.300
				SHEET: 1 OF 1

PROPRIETARY NOTICE: THIS DOCUMENT CONTAINS CONFIDENTIAL AND PROPRIETARY INFORMATION OF HIGH END SYSTEMS INC., (ALSO DBA LIGHTWAVE RESEARCH) AND IS GIVEN TO THE RECEIVER IN CONFIDENCE. THE RECEIVER ACCEPTS AND AGREES THAT, EXCEPT AS AUTHORIZED BY HIGH END SYSTEMS, THE RECEIVER WILL NOT PERMIT THE USE OF THE DOCUMENT OR ANY COPY THEREOF ON THE INFORMATION HEREIN, WILL NOT COPY OR PERMIT COPYING THE DOCUMENT WILL NOT DISCLOSE TO OTHERS EITHER THE DOCUMENT OR THE INFORMATION THEREIN, AND WILL UPON COMPLETION OF THE NEED TO RETAIN THE DOCUMENT, OR UPON DEMAND, RETURN THE DOCUMENT WITHOUT RETAINING ANY OF THE INFORMATION CONTAINED THEREIN IN ANY FORM WHATSOEVER.