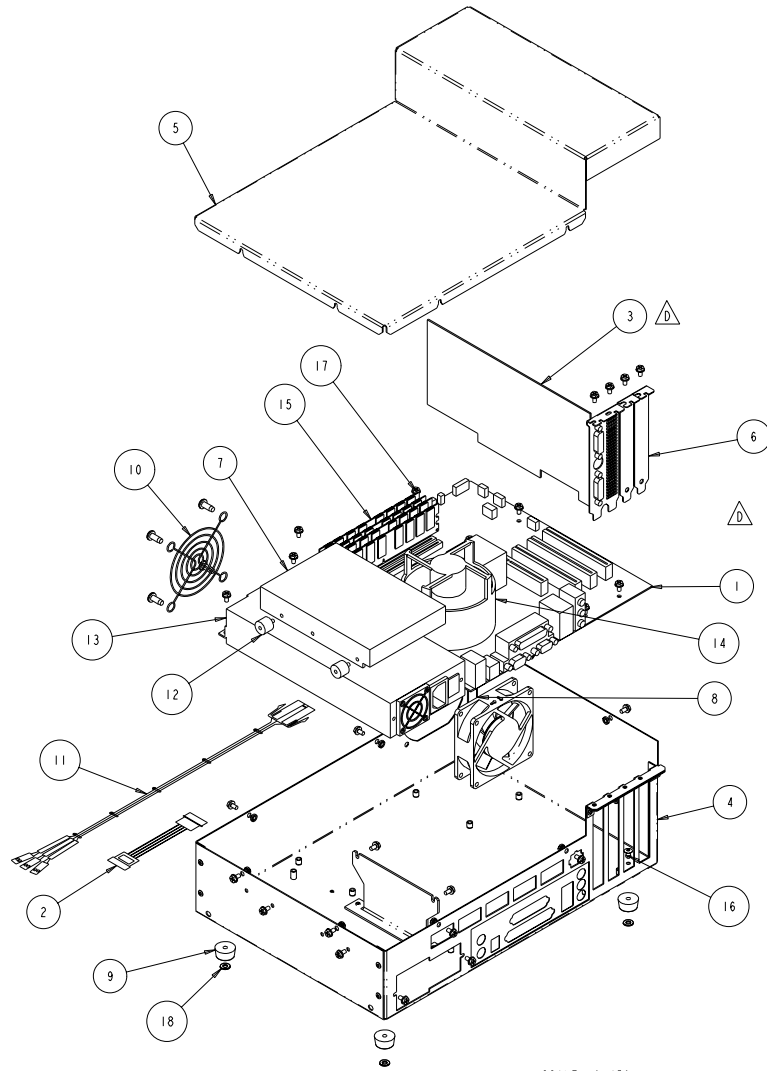


DBA010



SCALE 0.450

REV.	DESCRIPTION	DATE	ENG	ECO #	APPR
8	CHASSIS SLOT REDESIGN: FAN GRILL ADDED	16DEC04	LR		
9	REPLACE 300W PWR SUP W/350W; MOVE PWR SUP MNT HOLES IN CHASSIS	06JAN04	LR		
10	REPLACE GROMMET STYLE HARD DRV MNT SCHEME WITH (2X) ISOLATORS; ADD (2X) RAM; REPLACE VIDEO CAPTURE CARD W/ ADDITIONAL VENTED STEM	31MAR05	LR		
11	CHANGED PROCESSOR PN: 90904003 TO PN: 90904005, CHANGED MOTHERBOARD PN: 90903001 TO PN: 90903008 REMOVED WIRELESS CARD, REMOVED ONE VENTED STEM, ADDED TWO BLANK STEMS, ADDED HARNESS PN: 90409192	03MAY05	DF		
12	ADDED PN: 90409226 (DB717) CABLE ASSY	27MAY05	DF		
-	RELEASE TO PRODUCTION, EQUIVALENT TO REV 12	27MAY05	DF		
A	HARD DRV MNT SCREWS WAS PAN HEAD, NOW HEX HEAD	15JUN05	LR	#1730	DF
B	SCREWS: WAS M3.5, NOW 6-32 PHIL HEX; CHG TO H/O FAN; ITEM CHG (DBA022) ADVANCE REV ON BOM	30JUN05	LR	#1742	DF
C	REMOVED PN 90709073; CHANGE PN90711055 QTY. FROM 26 TO 29; ITEM CHG (DBA022) ADVANCE REV ON BOM	19JUL05	DF	#1748	DF
D	VIDEO CARD: WAS: 90902037 NOW: 90902040; DELETED VENTED SLOT COVER (80071863); REVERSED AIR FLOW THRU ENCLOSURE	04AUG05	DF	#1767	

ITEM NO.	QTY.	FILENAME	PART NO.	REV	DESCRIPTION
18	4	WASHER8-32S	90706009		WASHER, #8 FLAT SS .174 X .375 X .032
17	29	SCREW6-32PHW250SZ	90711055		SCREW, 6-32 PHIL HEX WSHR HEAD 1/4 SZ
16	4	RIVET54A0B	90701197		RIVET, 5/32 DOME .188 - .250 ALUMINUM
15	4	CARD_RAM_240-PIN	90903002		RAM, 240 PIN DDR2512MB 533MHZ
14	1	DB460	90904005		PROCESSOR, INTEL P4 540
13	1	DB440	90904004		POWER SUPPLY, 350W CPU, DL2
12	2	MOUNT6-32RUBBER.M-F	90410149		MOUNT, RUBBER, 6-32 THD M-F
11	1	DB709	90409192		HARNESS, MOTHERBOARD RESET DL2
10	1	GRILL_80MM-FAN	99190091		GRILL, 80MM FAN
9	4	FOOT_77_PLASTIC	90410144		FOOT, .77 OD x .16 ID x .38H PLASTIC
8	1	FAN_80MM_12V_TACH-HO	90605032		FAN, 80 X 25MM, 12V, W/TACH, 12" LEAD, HO
7	1	DISK_DRIVE80G_SATA	90903003		DISC DRIVE, SEAGATE 80 GB 7200RPM SATA
6	2	KEYSTONE_9200	99220038		COVER, EXPANSION SLOT, BLANK
5	1	DB122	99220037	A	COVER, CHASSIS CPU, DL2
4	1	DBA022	80110036	C	CHASSIS, ASSY ENCLOSURE, CPU, DL2
3	1	DB441	90902040		CARD, VIDEO, ATI RADEON X850 XT PE 256M
2	1	DB717	90409226		CABLE, SERIAL ATA POWER 6"
1	1	DB465	90903002		BOARD, MOTHER INTEL D915GX

BILL OF MATERIALS

UNLESS OTHERWISE SPECIFIED:	RELEASE DATE: 27MAY05	CE:	High End	2105 GRACY FARMS LANE AUSTIN, TEXAS 78758	
DIMENSIONAL TOLERANCES:	ENG: D. FRANKLIN	OA:		(512) 836-2242	
0 PLACE DECIMAL = ±0.38				(512) 832-4128	
1 PLACE DECIMAL = ±0.25				http://www.highend.com	
2 PLACE DECIMALS = ±0.13					
ANGLES = ±0.5°					
FOR PAINTED PARTS REFER TO ENG. SPEC. MANUAL WI-0592	DESCRIPTION: ENCLOSURE ASSY, COMPLETE, CPU DL2				
MIN. DRAFT	MATERIAL: CHARTED				
MIN. RADI	FINISH: NA				
FLATNESS	INTERPRET DIMENSIONS PER ASME Y14.5M-1994				
THICKNESS	THIRD ANGLE PROJECTION				
VOLUME	SHEET METRIC A1				
	PART NO. 80110037				
	DRAWING NO. DBA010				
	REV. D				
	DO NOT SCALE				
	SCALE: 0.630				
	SHEET: 1 OF 2				

PROPRIETARY NOTICE:

THIS DOCUMENT CONTAINS CONFIDENTIAL AND PROPRIETARY INFORMATION OF HIGH END SYSTEMS INC., (ALSO DBA LIGHTWAVE RESEARCH) AND IS GIVEN TO THE RECEIVER IN CONFIDENCE. THE RECEIVER ACCEPTS AND AGREES THAT, EXCEPT AS AUTHORIZED BY HIGH END SYSTEMS, THE RECEIVER WILL NOT PERMIT THE USE OF THE DOCUMENT OR ANY COPY THEREOF OR THE INFORMATION THEREIN, WILL NOT COPY OR PERMIT COPYING THE DOCUMENT OR THE INFORMATION THEREIN, AND WILL UPON COMPLETION OF THE NEED TO RETAIN THE DOCUMENT, OR UPON DEMAND, RETURN THE DOCUMENT WITHOUT RETAINING ANY OF THE INFORMATION CONTAINED THEREIN IN ANY FORM WHATSOEVER.

