

MECHANICAL SPECIFICATIONS

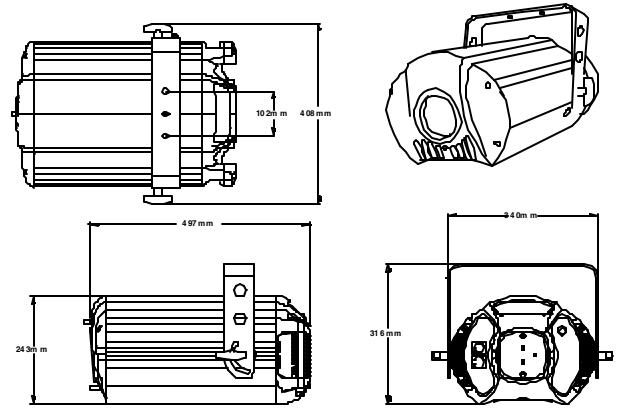
DIMENSIONS

FIXTURE		BOXED FOR SHIPPING	
in:	9.5 x 16.0 x 19.5	in:	19 x 22 x 28
mm:	243 x 408 x 497	mm:	480 x 556 x 708
Weight:	17 kg (37 lb)	Weight:	20 kg (45 lb)

Mounting Information

Color Pro HX may be mounted by attaching suitable clamps with locking washers through the holes on top of the yoke. Cheeseborough truss clamps and 1/2" nut/bolt sets may be purchased separately. Color Pro HX can also be stood on its end handles on a sturdy, stable surface.

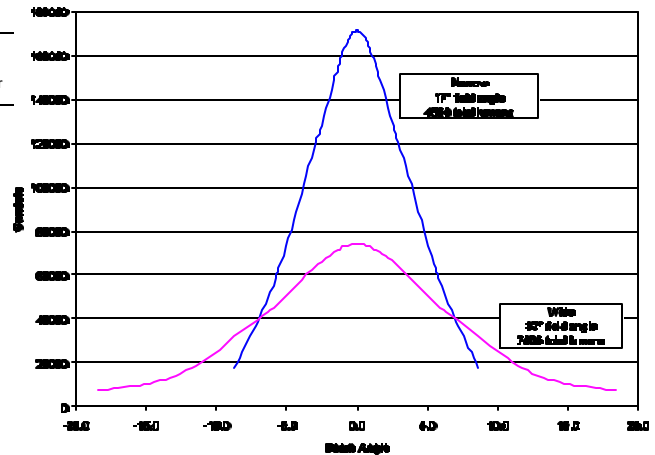
Colors Available: Black, White



ELECTRICAL SPECIFICATIONS / LIGHT SOURCE

Lamp	MSD 250/2
Power Consumption	100V 50HZ @ 3.75A 120V 50HZ @ 3.13A 208V 50HZ @ 1.8A 230V 50HZ @ 1.6A 100V 60HZ @ 3.75A 120V 60HZ @ 3.13A 208V 60HZ @ 1.8A 230V 60HZ @ 1.6A
Rated Power	375W
Power Factor	120V, 60HZ: 0.96 230V, 50HZ: 0.90
Lumen Output	7,000 ANSI lumens
Color Temperature	6500K
Lamp Life	2,000 hours

Throw	Center Beam	Beam Angle	Field Angle
	Center Beam Candela	Beam Angle Degrees	Field Angle Degrees
	170,000	10	17
Throw	Center Beam	Beam Diameter	Field Diameter
5	6800	0.9	1.5
10	1700	1.7	3.0
15	756	2.6	4.5
20	425	3.5	6.0
25	272	4.4	7.5
30	189	5.2	9.0
35	139	6.1	10.5
40	106	7.0	12.0
45	84	7.9	13.5
50	68	8.7	14.9
55	56	9.6	16.4
60	47	10.5	17.9
65	40	11.4	19.4
70	35	12.2	20.9
75	30	13.1	22.4
80	27	14.0	23.9
85	24	14.9	25.4
90	21	15.7	26.9
95	19	16.6	28.4
100	17	17.5	29.9



For Metric figures, read "Center Beam" values as in lux, and the throw and diameters will be in meters.
For US figures, read "Center Beam" values as in footcandles, and the throw and diameters will be in feet.

$$\text{Illuminance} = \frac{\text{Candela}}{\text{Distance}^2}$$

OPERATION

Pan: 0°	Tilt: 0°	Control Options: DMX-512, On Board Programming, Time Code Sync, Fixture Talkback
Zoom : Yes (manual)	Field Angle: 17° - 37°	Address Methods: LED Display, Fixture Talkback

Software Upgrades Operating software may be downloaded from the High End Systems web site (www.highend.com), and uploaded using a High End Systems dongle.

Compliances Color Pro HX is CE, CETL, and ETL compliant.

DMX Data Connectors 5-pin male and female XLR connectors

Environmental Specifications Minimum distance to flammable objects: 1.0m (3.28 ft) Maximum ambient temperature: 50°C (122°F)
Minimum distance to lighted object: 1.0m (3.28 ft) Maximum exterior surface temperature: 80°C (176°F)

PART NUMBERS

Fixtures

- 45010001 - Color Pro HX Color Mixing Luminaire, w/lamp
- 45010001W - Color Pro HX Color Changing Luminaire, w/lamp

Accessories

- 26040002 - DMX Upload Dongle

Lamps

- 55030051 - Color Pro Replacement Lamp, Philips MSD 250/2

Flight Cases

- 45070001 - Road Case, Color Pro Series Single Fixture
- 45070002 - Road Case, Color Pro Series Dual Fixtures

DMX CHANNELS

Standard Protocol

Channel	Function
1	Dim
2	Red (-Cyan)
3	Green (-Magenta)
4	Blue (-Yellow)
5	Effects
6	Control

Enhanced Protocol

Channel	Function
1	Dim
2	Shutter
3	Color Function
4	Red (-Cyan)
5	Green (-Magenta)
6	Blue (-Yellow)
7	Effects
8	Motor Speed
9	Control

DMX Channels: 6
Fixtures per Universe: 85

DMX Channels: 9
Fixtures per Universe: 56

Internal Preset Scene Memory: 2 banks. 16 Scenes per Bank

COLOR WHEEL



Color Pro HX features CMY color mixing, as well as a separate black light filter.

EFFECTS WHEEL



Color Pro HX features a beam shaping (lenticular) wheel.

GOBO HOLDER

Color Pro HX features a gobo holder inside the fixture for optional gobo installation.

Gobo Specifications Standard size "E" metal gobos
Diameter: 1.47 in (37.5 mm)