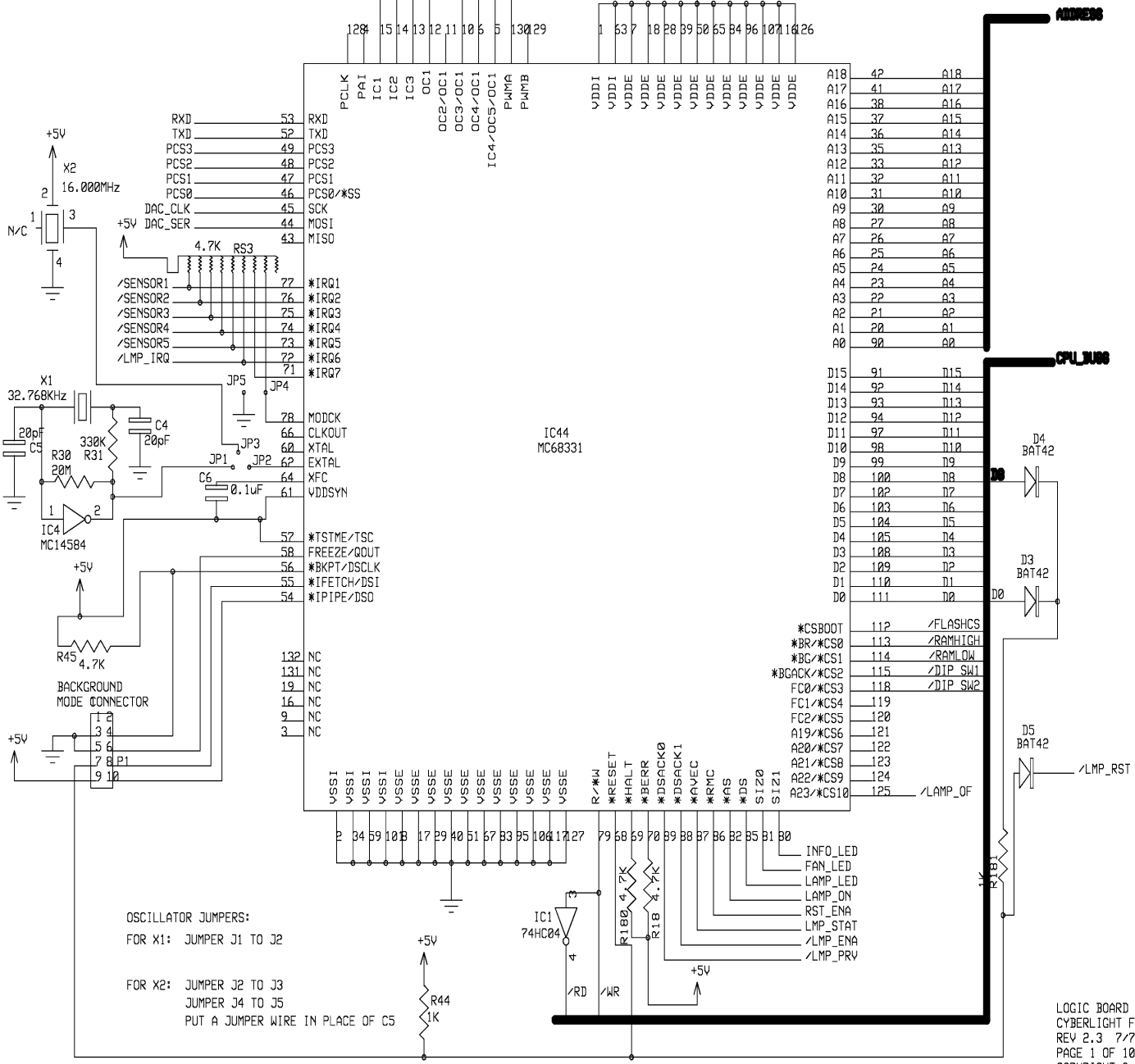
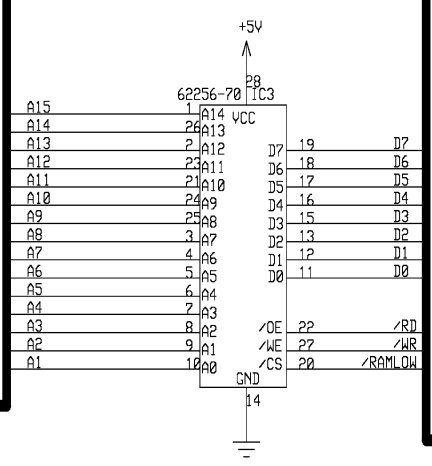
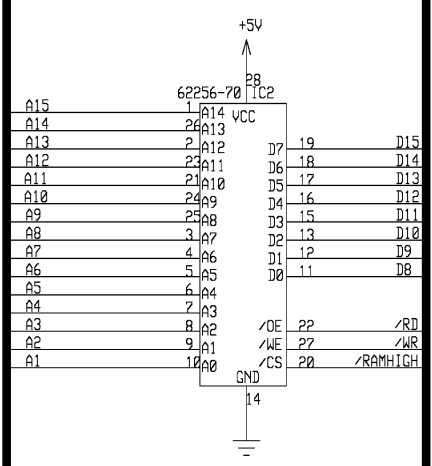
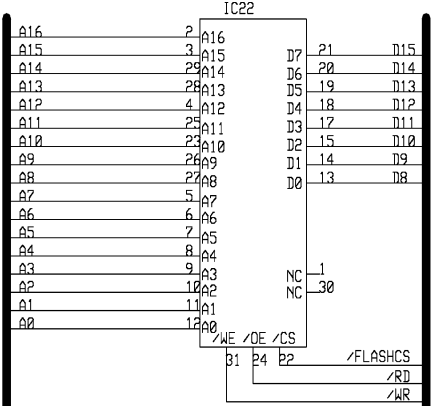


RST\_ADC  
FIXV\_ADC  
THRM\_ADC



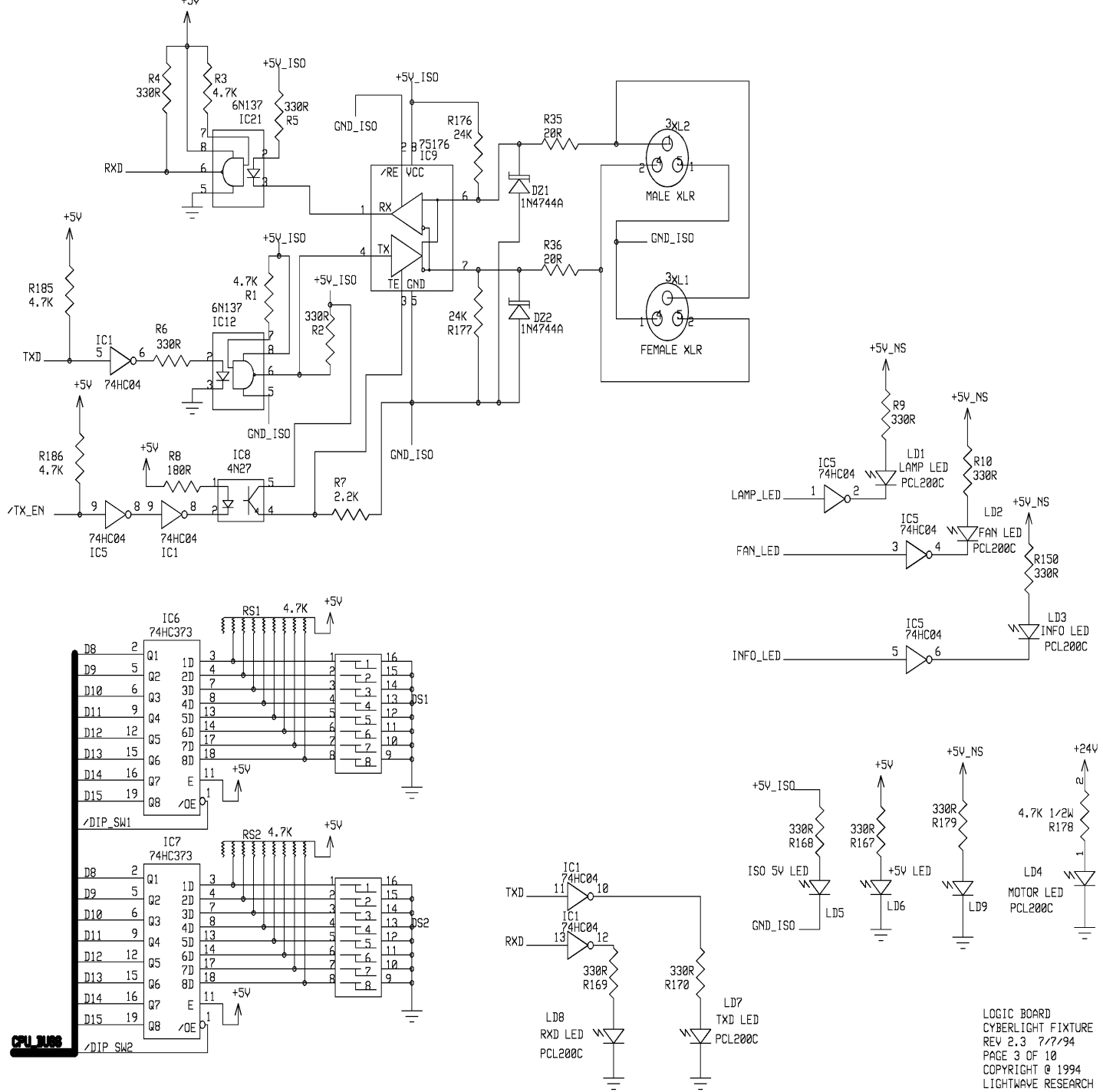
OSCILLATOR JUMPERS:  
FOR X1: JUMPER J1 TO J2  
  
FOR X2: JUMPER J2 TO J3  
JUMPER J4 TO J5  
PUT A JUMPER WIRE IN PLACE OF C5

*CSBOOT	112	/FLASHCS
*BR/*CS0	113	/RAMHIGH
*BC/*CS1	114	/RAMLOW
*BGACK/*CS2	115	/DIP SW1
FC0/*CS3	118	/DIP SW2
FC1/*CS4	119	
FC2/*CS5	120	
A19/*CS6	121	
A20/*CS7	122	
A21/*CS8	123	
A22/*CS9	124	
A23/*CS10	125	/LAMP_OF

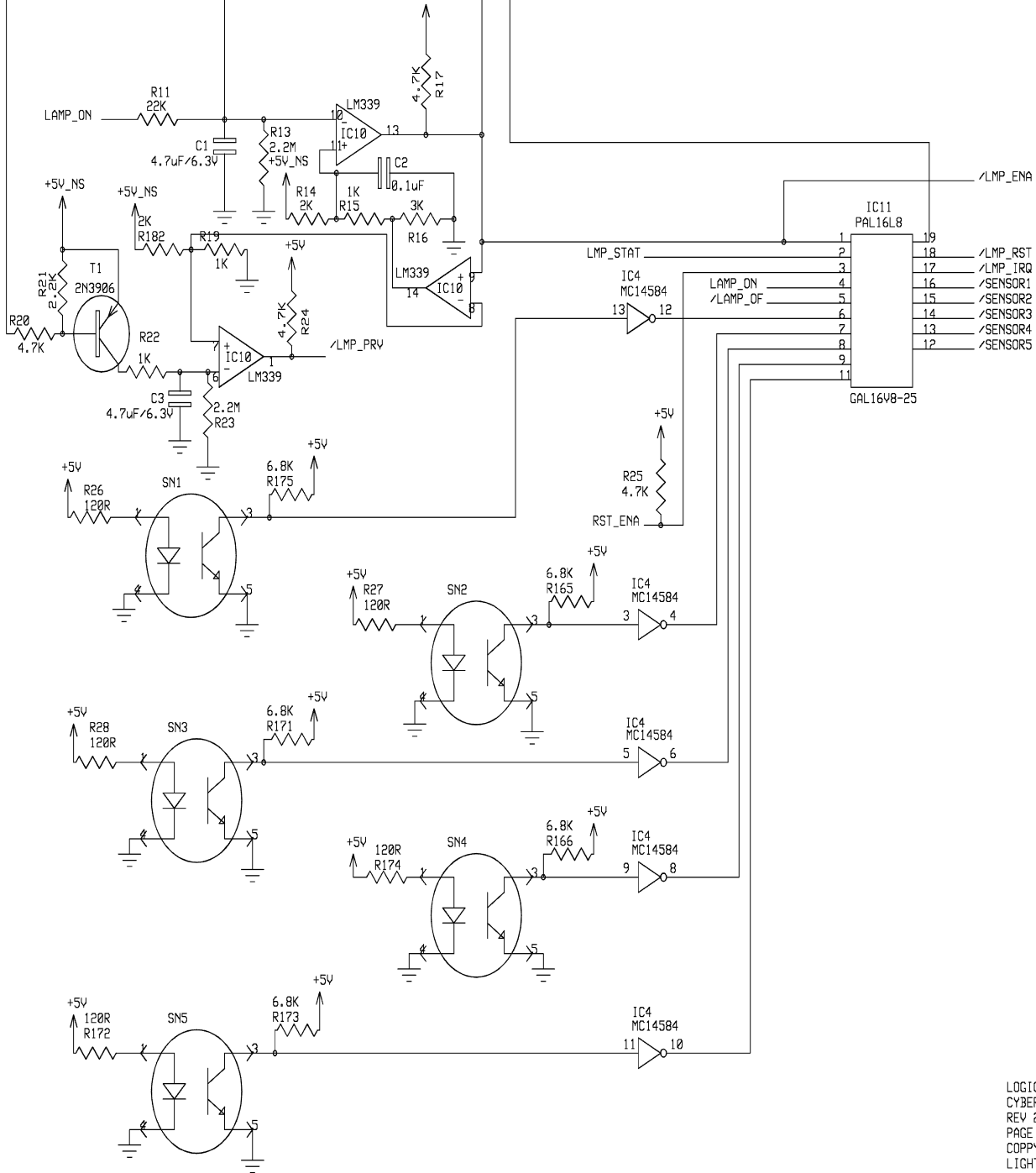


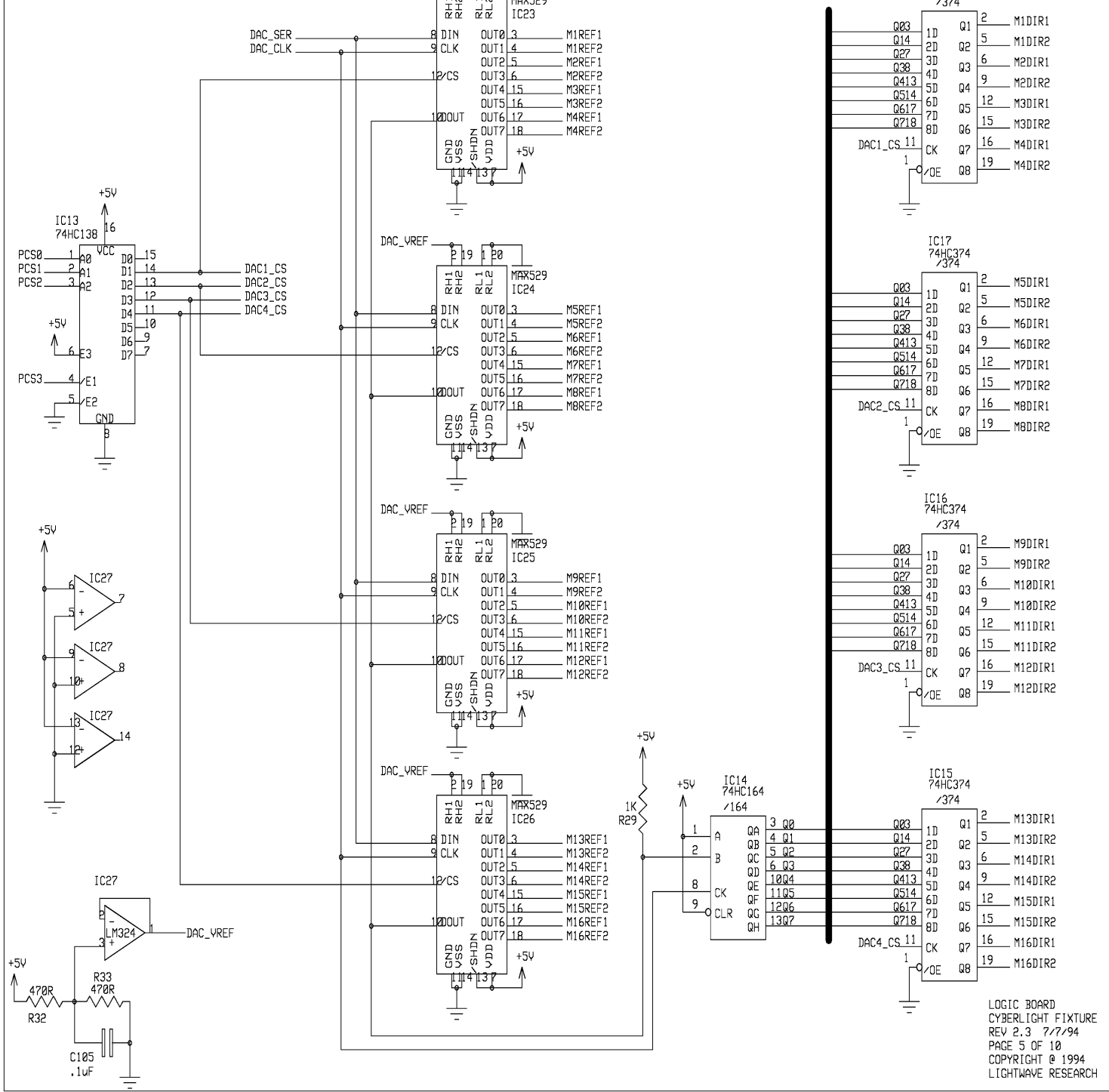
ADDRESS

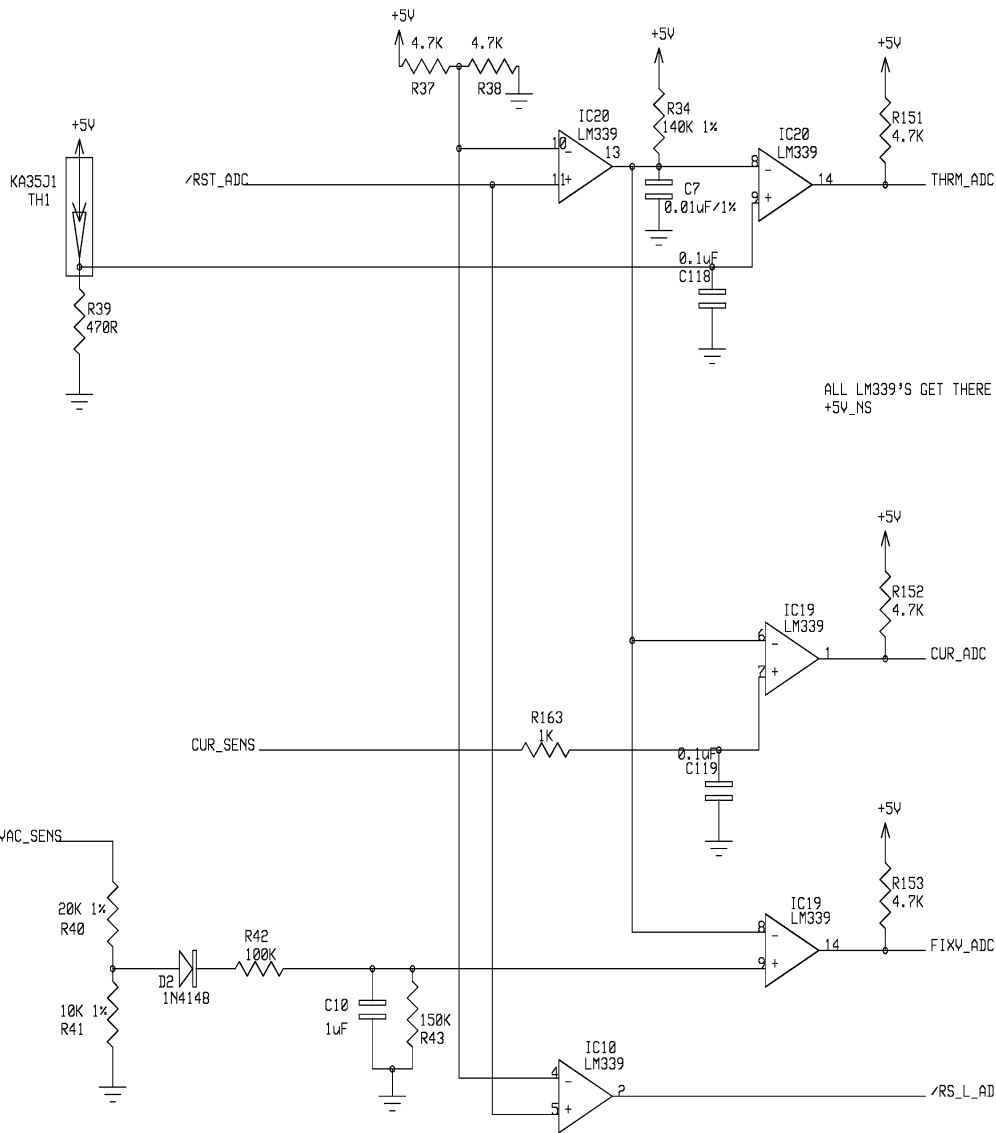
CPU\_BUS



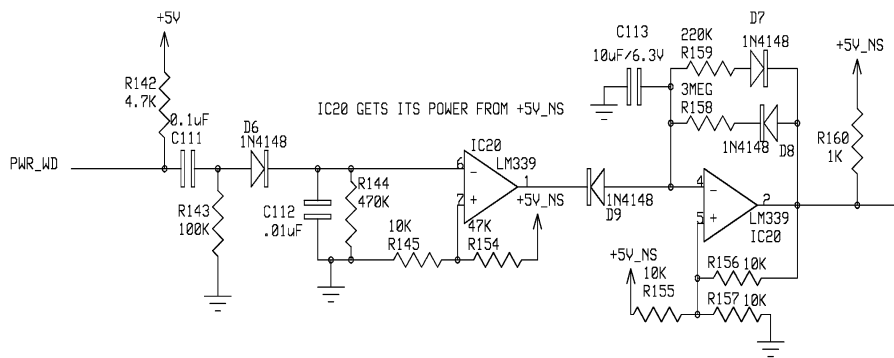
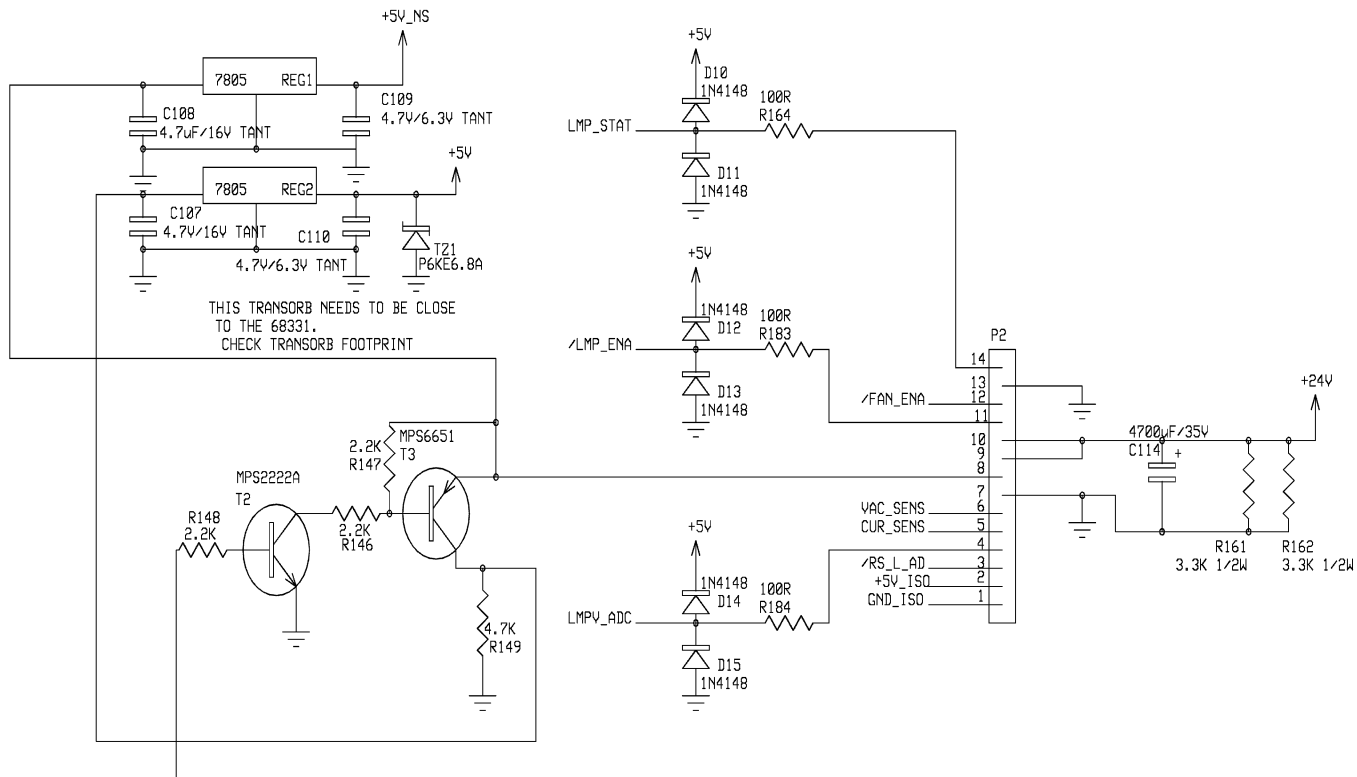
LOGIC BOARD  
 CYBERLIGHT FIXTURE  
 REV 2.3 7/7/94  
 PAGE 3 OF 10  
 COPYRIGHT © 1994  
 LIGHTWAVE RESEARCH

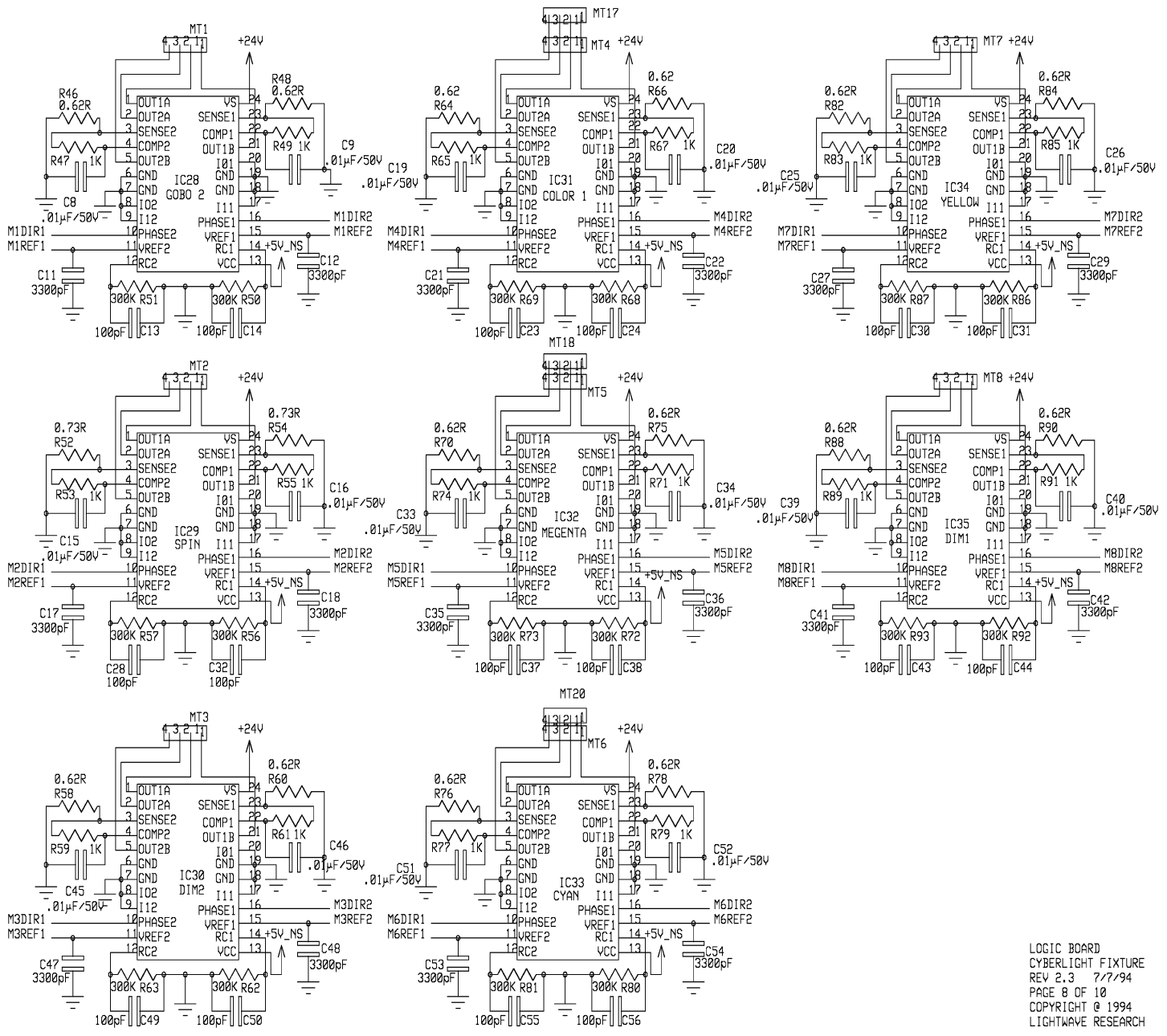






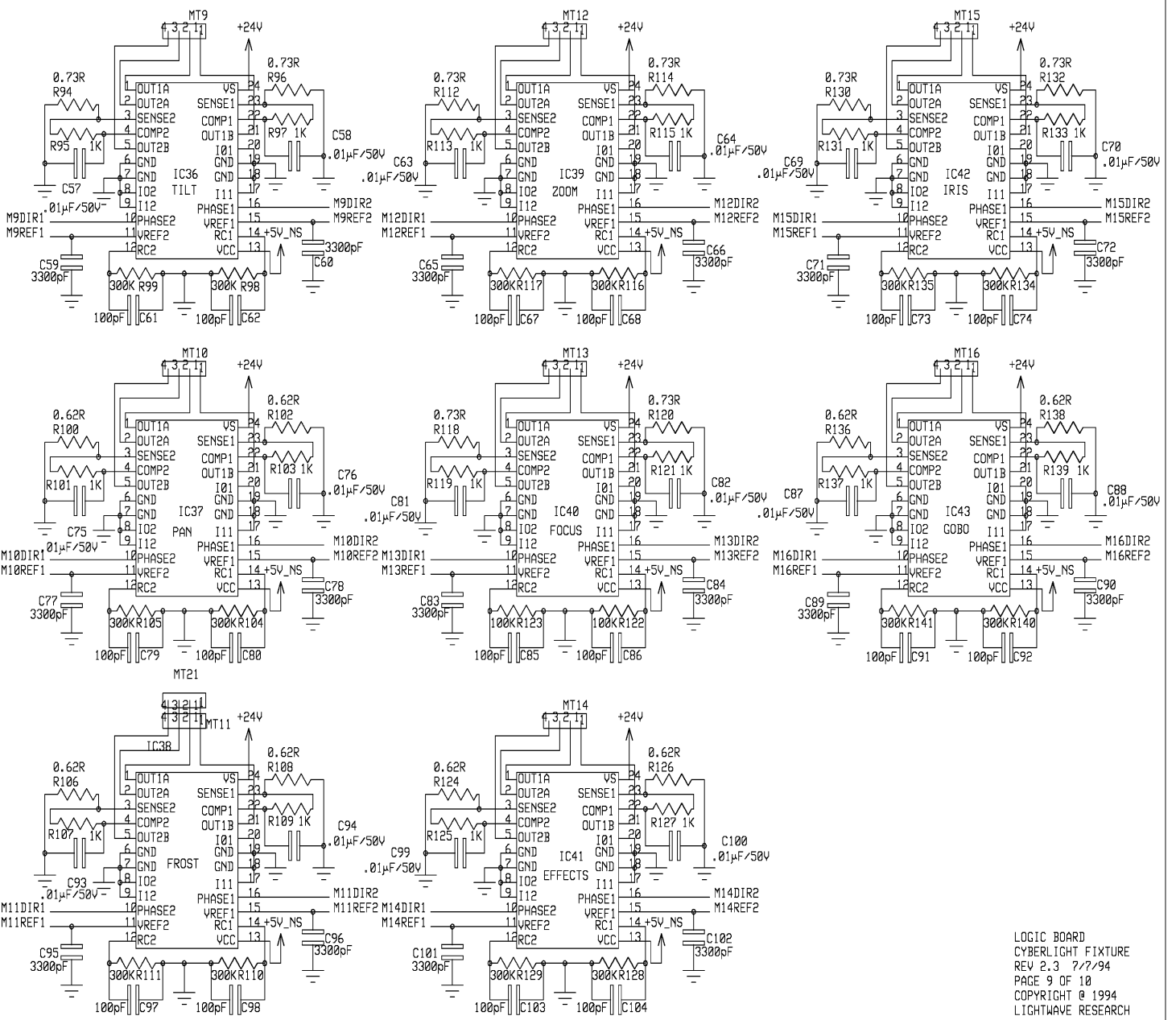
ALL LM339'S GET THEIR POWER FROM +5V\_NS





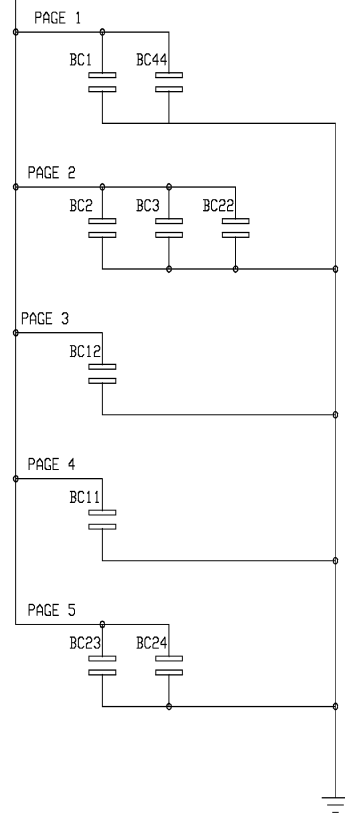
LOGIC BOARD  
 CYBERLIGHT FIXTURE  
 REV 2.3 7/7/94  
 PAGE 8 OF 10  
 COPYRIGHT © 1994  
 LIGHTWAVE RESEARCH





LOGIC BOARD  
 CYBERLIGHT FIXTURE  
 REV 2.3 7/7/94  
 PAGE 9 OF 10  
 COPYRIGHT © 1994  
 LIGHTWAVE RESEARCH

+5V  
ALL BYPASS CAPS 0.1 $\mu$ F



+5V\_NS  
ALL BYPASS CAPS 0.1 $\mu$ F

