

MECHANICAL SPECIFICATIONS

***DIMENSIONS**

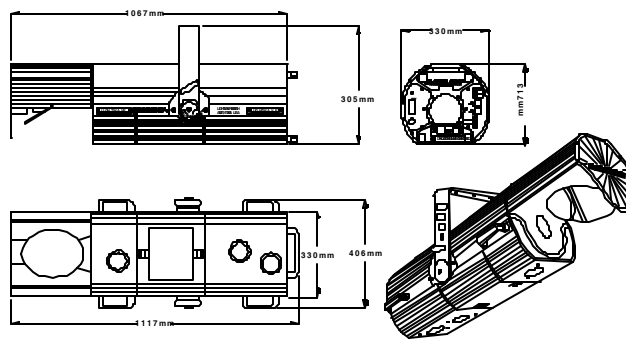
	<u>FIXTURE</u>	<u>BOXED FOR SHIPPING</u>
in:	12.5 x 13.0 x 44.0	21 x 23 x 50
mm:	317 x 330 x 1117	531 x 582 x 1265

Weight: 46 kg (101 lb) **Weight:** 50 kg (110 lb)
**vary slightly according to model*

Mounting Information

Cyberlight CL and SV may be mounted by attaching suitable clamps with locking washers through the holes on top of the yoke. Cheeseborough truss clamps and 1/2" nut/bolt sets may be purchased separately. Cyberlight CL and SV can also be stood on their end handles on a sturdy, stable surface.

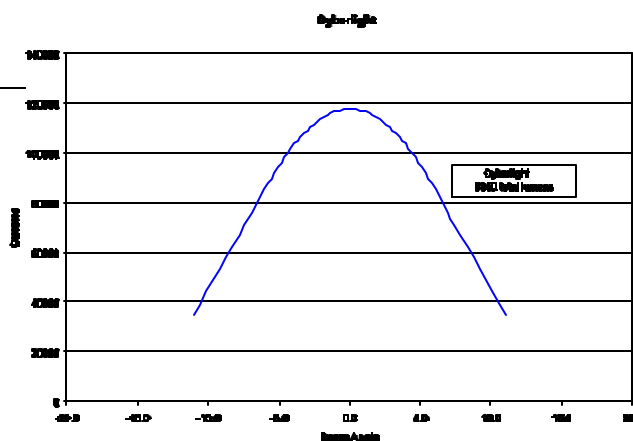
Colors Available: Black



ELECTRICAL SPECIFICATIONS / LIGHT SOURCE

Lamp	MSR 1200/2
Power Consumption	205V 50Hz @ 6.3A 230V 50Hz @ 6.3A 240V 50Hz @ 6.3A 208V 60Hz @ 6.3A 230V 60Hz @ 6.3A
Rated power	1300W
Power Factor	230V, 50HZ: 0.85 208V, 60HZ: 0.97
Light output	8000 ANSI lumens
Lamp life	800 hours
Color temperature	6200K

	Center Beam Candela	Beam Angle Degrees	Field Angle Degrees
	118,000	16	22
Throw	Center Beam	Beam Diameter	Field Diameter
5	4,720	1.4	1.9
10	1,180	2.8	3.9
15	524	4.2	5.8
20	295	5.6	7.8
25	189	7.0	9.7
30	131	8.4	11.7
35	96	9.8	13.6
40	74	11.2	15.6
45	58	12.6	17.5
50	47	14.1	19.4
55	39	15.5	21.4
60	33	16.9	23.3
65	28	18.3	25.3
70	24	19.7	27.2
75	21	21.1	29.2
80	18	22.5	31.1
85	16	23.9	33.0
90	15	25.3	35.0
95	13	26.7	36.9
100	12	28.1	38.9



For Metric figures, read "Center Beam" values as in lux, and the throw and diameters will be in meters.
 For US figures, read "Center Beam" values as in footcandles, and the throw and diameters will be in feet.

$$\text{Illuminance} = \frac{\text{Candela}}{\text{Distance}^2}$$

OPERATION

Pan: 170° **Tilt:** 110° **Control Options:** DMX-512, Lightwave Research Protocol
Zoom: 8.5° - 13° (optional), 13° - 22° or 16° - 26° **Field Angle:** up to 36° **Address Methods:** Dipswitches

Software Upgrades Operating software may be uploaded using a Cyberlight Upload Module or a Status Cue.

Compliances Cyberlight CL and SV are CE, CETL, and ETL compliant.

DMX Connectors 3-pin male and female XLR connectors

Environmental Specifications Maximum Ambient temperature: 50°C (122°F) Maximum distance to flammable objects: 1.0m (3.28 ft)
 Maximum exterior surface temperature: 62°C (144°F) Maximum winding temperature, Tw: 180°C (356°F)
 Minimum distance to lighted object: 1.0m (3.28 ft) Maximum capacitor temperature, Tc: 85°C (185°F)

PART NUMBERS

- Fixtures**
 19010010 - Cyberlight Automated Luminaire – Litho, w/Lamp, 208V/60HZ
 19010011 - Cyberlight Automated Luminaire – Litho, w/Lamp, 230V/50HZ
 19010012 - Cyberlight Automated Luminaire – Litho, w/Lamp, 240V/50HZ
 19010013 - Cyberlight Automated Luminaire – Litho, w/Lamp, 205V/50HZ or 230/60HZ
 19010014 - Cyberlight SV Automated Luminaire – Litho, w/Lamp, 208V/60HZ
 19010015 - Cyberlight SV Automated Luminaire – Litho, w/Lamp, 230V/50HZ
 19010016 - Cyberlight SV Automated Luminaire – Litho, w/Lamp, 240V/50HZ
 19010017 - Cyberlight SV Automated Luminaire – Litho, w/Lamp, 205V/50HZ or 230/60HZ

- Accessories**
 19040002 - Cyberlight Turbo Conversion Package for Cyberlight Automated Luminaire
 19040003 - Cyberlight Turbo Conversion Package for Cyberlight SV Automated Luminaire
 55040012 - Cyberlight Narrow Angle (8.5° - 13°) Lens Assembly
 55040004 - Cyberlight Tabbed Replaceable Gobo Wheel
 55040005 - Cyberlight Touring Yoke Kit

- Controllers**
 19020002 - Cyberlight LCD Controller w/RAM Card, CE & ETL Compliant

- Lamps**
 55030047 - Cyberlight Replacement Lamp, Philips MSR 1200-2
 55030053 - Cyberlight Replacement Lamp, Philips MSD 1200

- Flight Cases**
 19070001 - Road Case, Cyberlight, Single Fixture
 19070002 - Road Case, Cyberlight, Dual Fixtures

**Field Angle measurement factors in frost and de-focusing effects*

DMX CHANNELS

***Standard / Enhanced Control**

1	Pan Coarse	11	Rotate
2	Pan Fine	12	Zoom
3	Tilt Coarse	13	Focus
4	Tilt Fine	14	Iris
5	Color Wheel	15	Effects Wheel
6	Cyan	16	Frost
7	Magenta	17	Shutter
8	Yellow	18	Dim
9	Static Litho	19	Motor Speed
10	Rotating Litho	20	Control

15 Channel Control

1	Pan Coarse	9	Focus
2	Pan Fine	10	Iris
3	Tilt Coarse	11	Effects Wheel
4	Tilt Fine	12	Shutter
5	Color Wheel	13	Dim
6	Static Litho	14	Motor Speed
7	Rotating Litho	15	Control
8	Rotate		

*Standard Control allows Motor Speed control over pan and tilt functions.
Enhanced Control allows Motor Speed control over color, lithos, and effects.

DMX Channels: 20 Fixtures per Universe: 25

DMX Channels: 15 Fixtures per Universe: 34

COLOR WHEEL

Position	Description	Replaceable
1	Open	No
2	Red	Yes
3	Purple	Yes
4	CTO	Yes
5	Aqua	Yes
6	Dark Blue	Yes
7	Dark Orange	Yes
8	Indigo	Yes



Cyberlight CL and SV feature CMY subtractive color mixing.

Dichroic Glass Diameter: 1.745 in ± 0.010 in (44.323 mm ± 0.25 mm) Thickness: 0.069 in (1.75 mm)

EFFECTS WHEEL

Effects Wheel 1: Replaceable

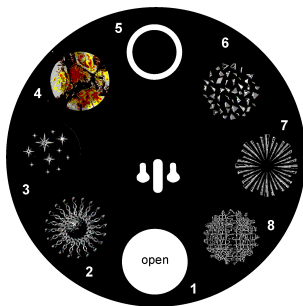
Position	Description	Replaceable
1	Prism	No
2	Tri-color Mosaic	No
3	Yellow Color Corrector	No
4	Open	No
5	Magenta Color Corrector	No
6	Wide Angle	No
7	Diffusion	No
8	Cyan Color Corrector	No

Effects Glass Diameter: 2.060 in ± 0.010 in (52.32 mm ± 0.25 mm) Thickness: 0.069 in (1.75 mm)

LITHO WHEEL

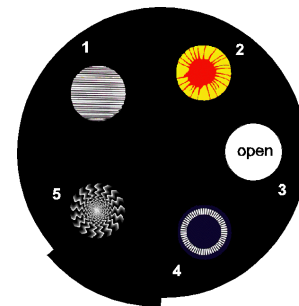
Litho Wheel 1: Static

Position	Description	Replaceable
1	Open	No
2	Alien Star	Yes
3	Shimmering Star	Yes
4	Indigo Dye	Yes
5	Tunnel	Yes
6	Egyptian Space	Yes
7	Conoid	Yes
8	Disconnect	Yes



Litho Wheel 2: Rotating, Indexable

Position	Description	Replaceable
1	Ribbed Glass	Yes
2	Psy-Spin	Yes
3	Open	No
4	Indigo Chicklet	Yes
5	Wavy Black	Yes



Lithopatterns Diameter: 1.745 in ± 0.010 in (44.323 mm ± 0.25 mm)
Thickness: 0.069 in (1.75 mm)
Image Area: 1.465 in (37.21 mm)