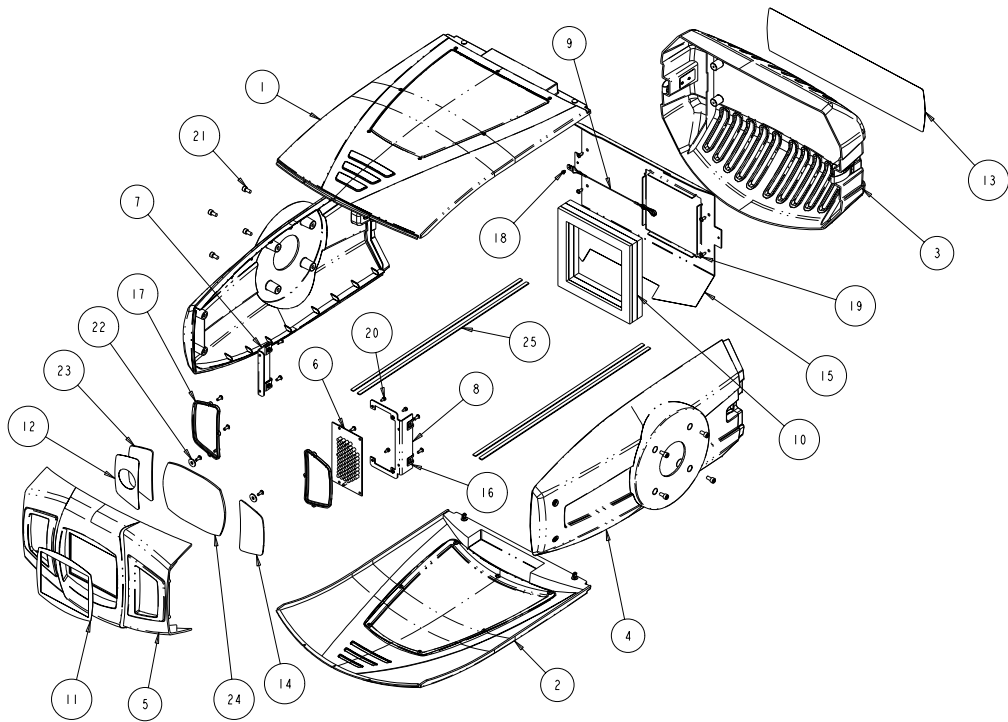


DBA005

REV.	DESCRIPTION	DATE	ENG	ECO #	APPR
2	SAFETY CABLE CLIP NOW SAFETY CABLE ASSY	10SEP04	LR		
3	SAFETY CABLE NOW RIVETED.;ADD MORE SCREWS	15SEP04	LR		
4	CORRECT LENS CALLOUT.;ADD STRIPS	04OCT04	LR		



25	.167	CAT505_4	99190022	-	TAPE, FOAM WEATHER 1/4" X 17: STRIP 24/SHEET
24	1	CAT401	80530074	A	WINDOW, MAIN, FRONT BEZEL DLI
23	1	CAT455	80530075	B	WINDOW, CAMERA, FRONT BEZEL, DLI
22	2	SPI32	90706083	A	WASHER, THRUST, OPTICAL MODULE ASSY
21	8	SCREWM5AC10SSP	91100510	.	SCREW, M5 SOCKET 10 SS, W/PATCH
20	4	SCREWM3AC06BZ	91000306	.	SCREW, M3 SOCKET CAP 06 BZ SEMS
19	16	SCREW6-19PPB0380BZ	90709117	.	SCREW, 6-19 PHIL PAN PLASTITE 3/8 BZ
18	1	RIVET41-43DMG	90701160	I	RIVET, 41-43 DOME MULTIGRIP
17	2	CAT203	80450082	-	RETAINER, WINDOW, FRONT BEZEL, DLI
16	4	RECEPT.25TURN_MED	90722018	-	RECEPTICAL, 1/4 TURN, CLIP-ON, MEDIUM
15	1	CAT104	80071794	A	PLATE, AIRDAM, REAR, HEAD BLK DLI
14	1	CAT216	99090069	B	LENS, IR / CAMERA, RED DLI
13	1	DB452	99310413	I	LABEL, REAR BEZEL, DL2
12	1	CAT453	99310404	-	LABEL, LENS, CAMERA, DLI
11	1	DB451	99310412	I	LABEL, APERATURE, DL2
10	1	CAT501	90701346	A	GASKET, REAR SEAL, DLI
9	1	CAT500	90701345	C	CABLE, SAFETY W/CLIP, DLI
8	1	CAT168	99260443	-	BRACKET, LED ILLUMINATOR, VER 2 DLI
7	1	CAT169	99260444	A	BRACKET, FRONT COVER MOUNT, VER 2, DLI
6	1	CAT412	80060009	-	BOARD, IR ILLUMINATOR ASSY
5	1	CAT209	99350075	B	BEZEL, FRONT HEAD, DLI
4	2	CATA052	80450078	B	BEZEL, ASSY, SIDE, HEAD DLI
3	1	CATA051	80450077	-	BEZEL, ASSY, REAR, HEAD DLI
2	1	CATA054	80450080	A	BEZEL, ASSY, HEAD COVER, VENTILATED, DLI
1	1	CATA053	80450079	A	BEZEL, ASSY, HEAD COVER, UNVENTILATED, DLI
ITEM NO.	QTY.	FILENAME	PART NO.	REV	DESCRIPTION

BILL OF MATERIALS

UNLESS OTHERWISE SPECIFIED:	RELEASE DATE:	CE:	2105 GRACY FARMS LANE AUSTIN, TEXAS 78758 (512) 836-2242 FAX (512) 832-4128 ***** http://www.highend.com	
DIMENSIONAL TOLERANCES:	ENG:	OA:		
0 PLACE DECIMAL = ±0.38	ME:			
1 PLACE DECIMAL = ±0.25	MEG:	DRW: LARRY R		
2 PLACE DECIMALS = ±0.13	ANGLES = ±0.5°	DESCRIPTION:	COVERS, SUB-ASSY TOP LEVEL DL2	
FOR PAINTED PARTS REFER TO ENG. SPEC. MANUAL WI-0592	MATERIAL:	FINISH:	NA	
MIN. DRAFT	CHARTED			
MIN. RADII	INTERPRET DIMENSIONS PER	S	PART NO.	DRAWING NO.
FLATNESS	ASME Y14.5M-1994	SI	INTERNAL	DBA005
THICKNESS	THIRD ANGLE PROJECTION	M		
VOLUME	DIMENSIONS ARE IN MILLIMETERS	A1	DO NOT SCALE	SCALE: 0.250
				SHEET: 1 OF 1

PROPRIETARY NOTICE:

THIS DOCUMENT CONTAINS CONFIDENTIAL AND PROPRIETARY INFORMATION OF HIGH END SYSTEMS INC., (ALSO DBA LIGHTWAVE RESEARCH) AND IS GIVEN TO THE RECEIVER IN CONFIDENCE. THE RECEIVER ACCEPTS AND AGREES THAT, EXCEPT AS AUTHORIZED BY HIGH END SYSTEMS, THE RECEIVER WILL NOT PERMIT THE USE OF THE DOCUMENT OR ANY COPY THEREOF ON THE INFORMATION THEREIN. WILL NOT COPY OR PERMIT COPYING THE DOCUMENT WILL NOT DISCLOSE TO OTHERS EITHER THE DOCUMENT OR THE INFORMATION THEREIN, AND WILL UPON COMPLETION OF THE NEED TO RETAIN THE DOCUMENT, OR UPON DEMAND, RETURN THE DOCUMENT WITHOUT RETAINING ANY OF THE INFORMATION CONTAINED THEREIN IN ANY FORM WHATSOEVER.