

REVISION HISTORY


SCH REV	PCB REV	ECO#	DATE	COMMENT
1.0	1.0		05-25-05	INITIAL RELEASE

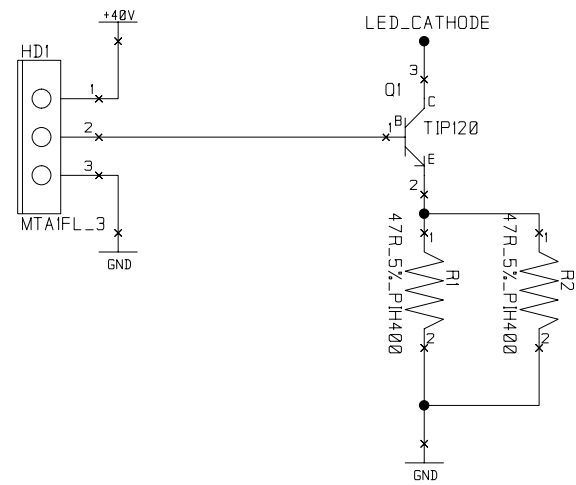
IR ILLUMINATOR BOARD

ASM: 80060009 REV: 1.0
PCB: 99030148 REV: 1.0

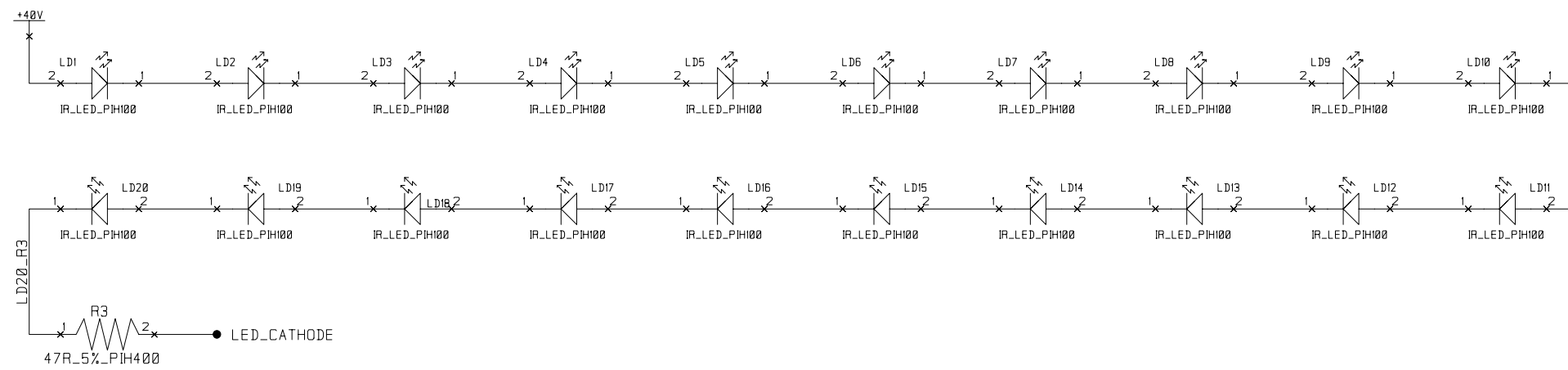
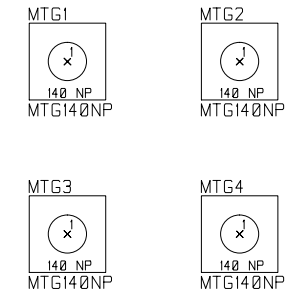
- 1) TITLE
- 2) POWER / LEDs
- 3) LEDs
- 4) MECHANICAL PARTS

Copyright (c) 1994 - 2005 High End Systems, Inc. All rights reserved worldwide. Lightwave Research, the Lightwave Research logo, High End Systems and the High End Systems logo are registered trademarks of High End Systems, Inc. Trademarks and trade names of others may be used in this document to refer to either such other entities or to their products. High End Systems, Inc. disclaims any proprietary interest or connection to such marks or entities.

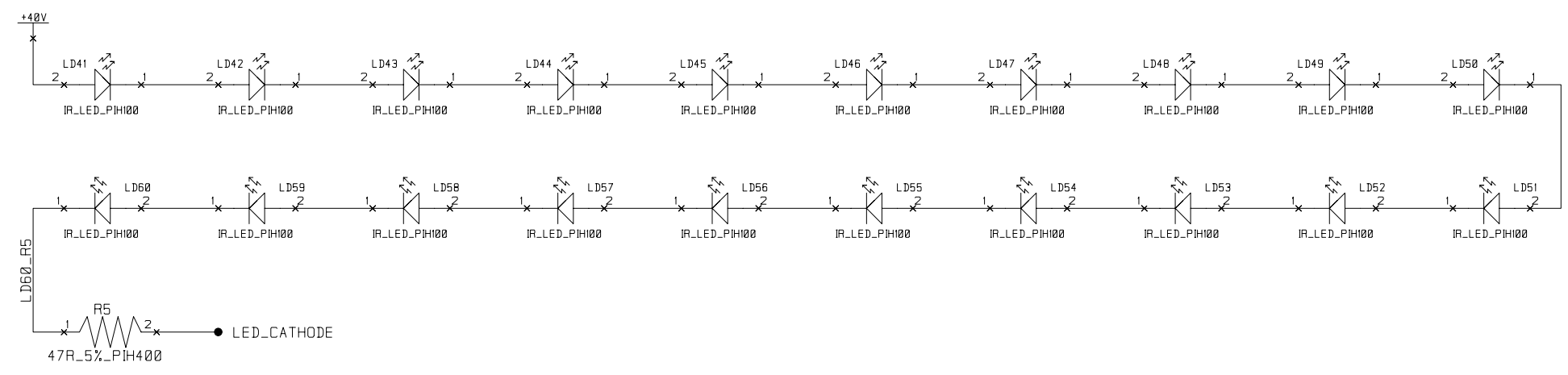
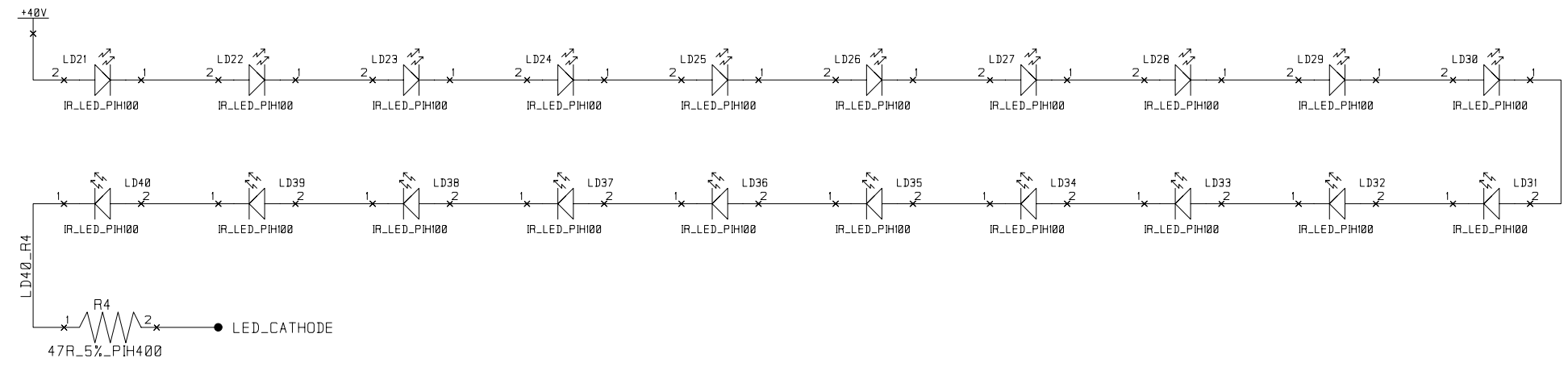
HIGH END SYSTEMS INC.		2105 GRACY FARMS LANE AUSTIN, TX 78758		
TITLE		SIZE	FSCM NO.	DWG. NO.
DRAWN	K. Lowe	a		99030148
ISSUED	05-25-05	SCALE		SHEET 1 of 4



MOUNTING HOLES

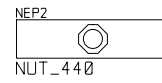
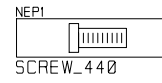


HIGH END SYSTEMS INC.					
2105 GRACY FARMS LANE AUSTIN, TX 78758					
POWER / LEDs		SIZE	FSCM NO.	DWG. NO.	REV.
DRAWN K. Lowe		b		99030148	1.0
ISSUED 05-25-05		SCALE		SHEET 2 of 4	



HIGH END SYSTEMS INC.					
2105 GRACY FARMS LANE AUSTIN, TX 78758					
LEDs		SIZE	FSCM NO.	DWG. NO.	REV.
DRAWN	K. Lowe	B		99030148	1.0
ISSUED	05-25-05	SCALE		SHEET	
				3 of 4	

USED TO MOUNT Q1



HIGH END SYSTEMS INC.

2105 GRACY FARMS LANE
AUSTIN, TX 78758



DRAWN	K. Lowe	SIZE	FSCM NO.	DWG. NO.	REV.
		B		99030148	1.0
ISSUED	05-25-05	SCALE		SHEET	4 of 4