

REVISION HISTORY

SCH REV	PCB REV	ECD NO.	DATE	COMMENT
-	-	-		

NOTES:

UNLESS OTHERWISE SPECIFIED:

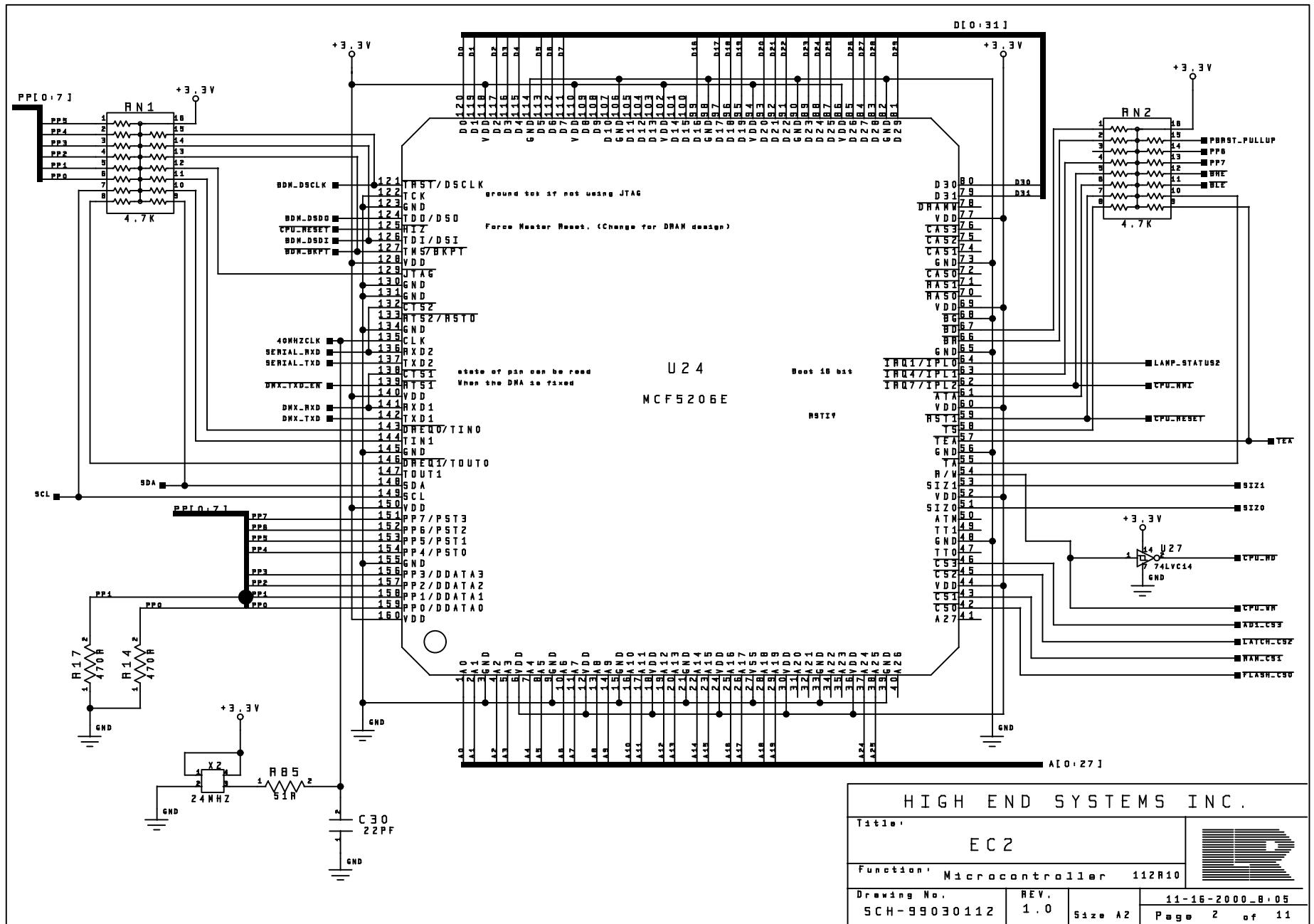
1. ALL RESISTOR VALUES ARE IN OHMS
2. ALL RESISTORS ARE 1/8 WATT 5% OR BETTER SMT 1206
3. CAPACITOR VALUES ARE IN PICO FARADS
4. ALL NON POLARIZED CAPACITORS ARE 50V OR BETTER
VALUES BELOW 470pF ARE NPO/COG TYPE 5%
VALUES 470pF TO 1000pF ARE X7R 10%
VALUES ABOVE 1000pF ARE Z5U +/- 20 %
5. ALL POLARIZED CAPACITORS ARE 20% OR BETTER

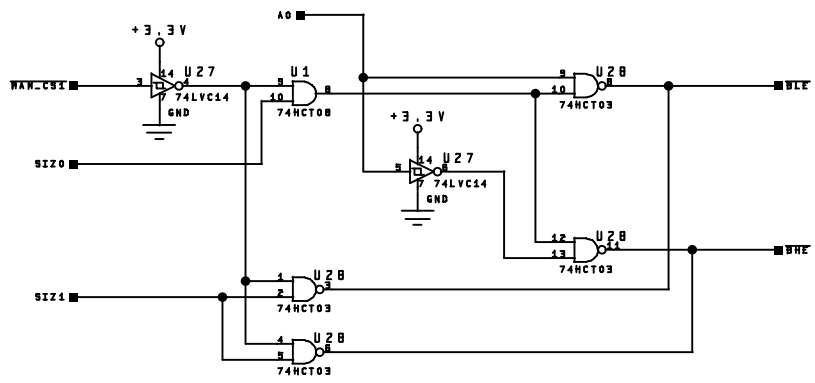
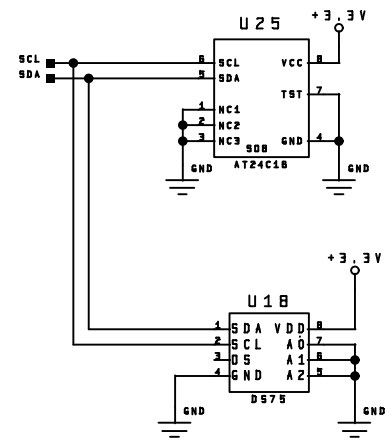
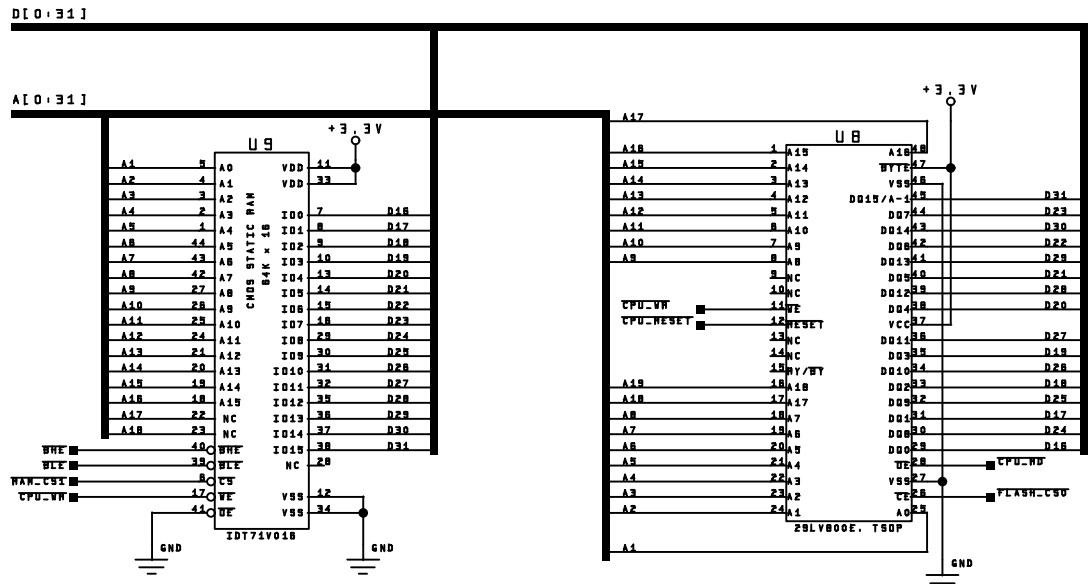
Copyright (c) 1994-2001 High End Systems, Inc. All rights reserved worldwide.

EC2, Lightwave Research, the Lightwave Research logo, High End Systems and the High End Systems logo are registered trademarks of High End Systems, Inc. Trademarks and trade names of others may be used in this document to refer to either such other entities or to their products. High End Systems Inc. disclaims any proprietary interest or connection to such marks or entities.

HIGH END SYSTEMS INC.			
Title:		EC2	
Function:		112R10	
Drawing No.	REV.	Designed:	
SCH-99030112	1.0	SCOTT BLAIR	
Drawn:		Approved:	
MYERS			
7-11-2001_9.23	Size A2	Page 1	OF 11



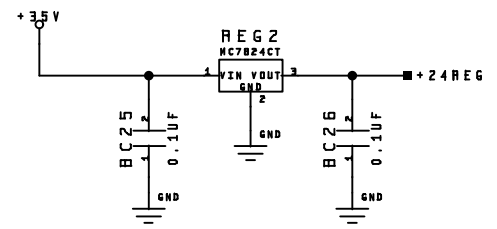
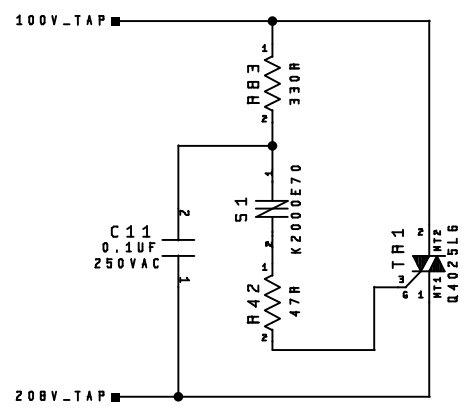
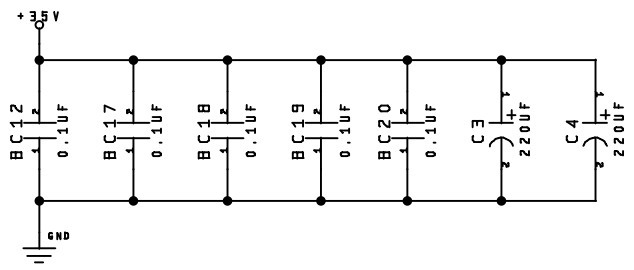
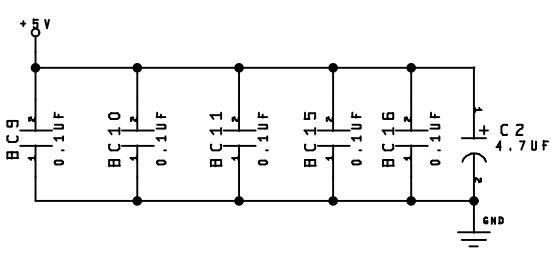
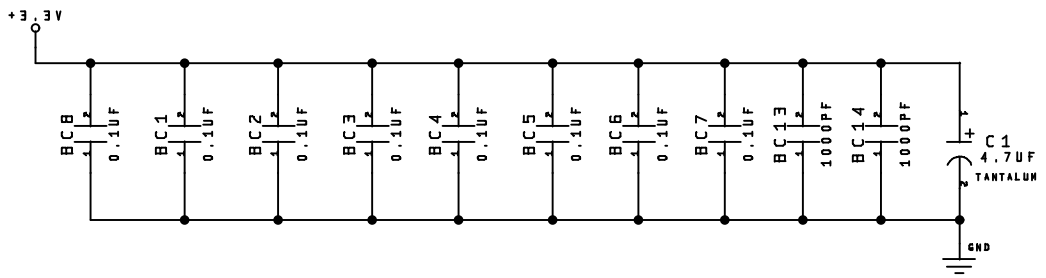




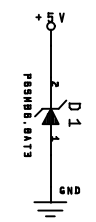
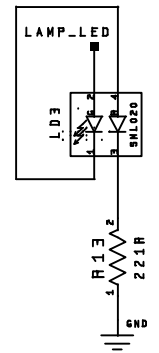
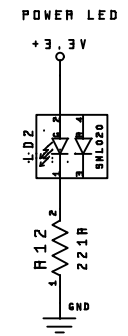
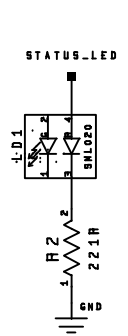
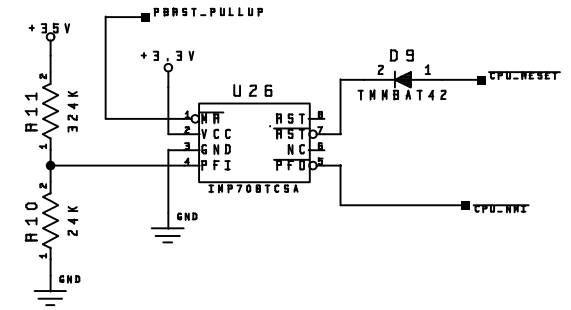
NOTES:

U8 IS LAYED OUT FOR 8 MEG PART. ZBLV400B MAY BE USED

HIGH END SYSTEMS INC.			
Title:		EC2	
Function:		MEMORY	112R10
Drawing No.		REV.	11-16-2000_B.05
SCH-99030112		1.0	Page 3 of 11
Size A2			



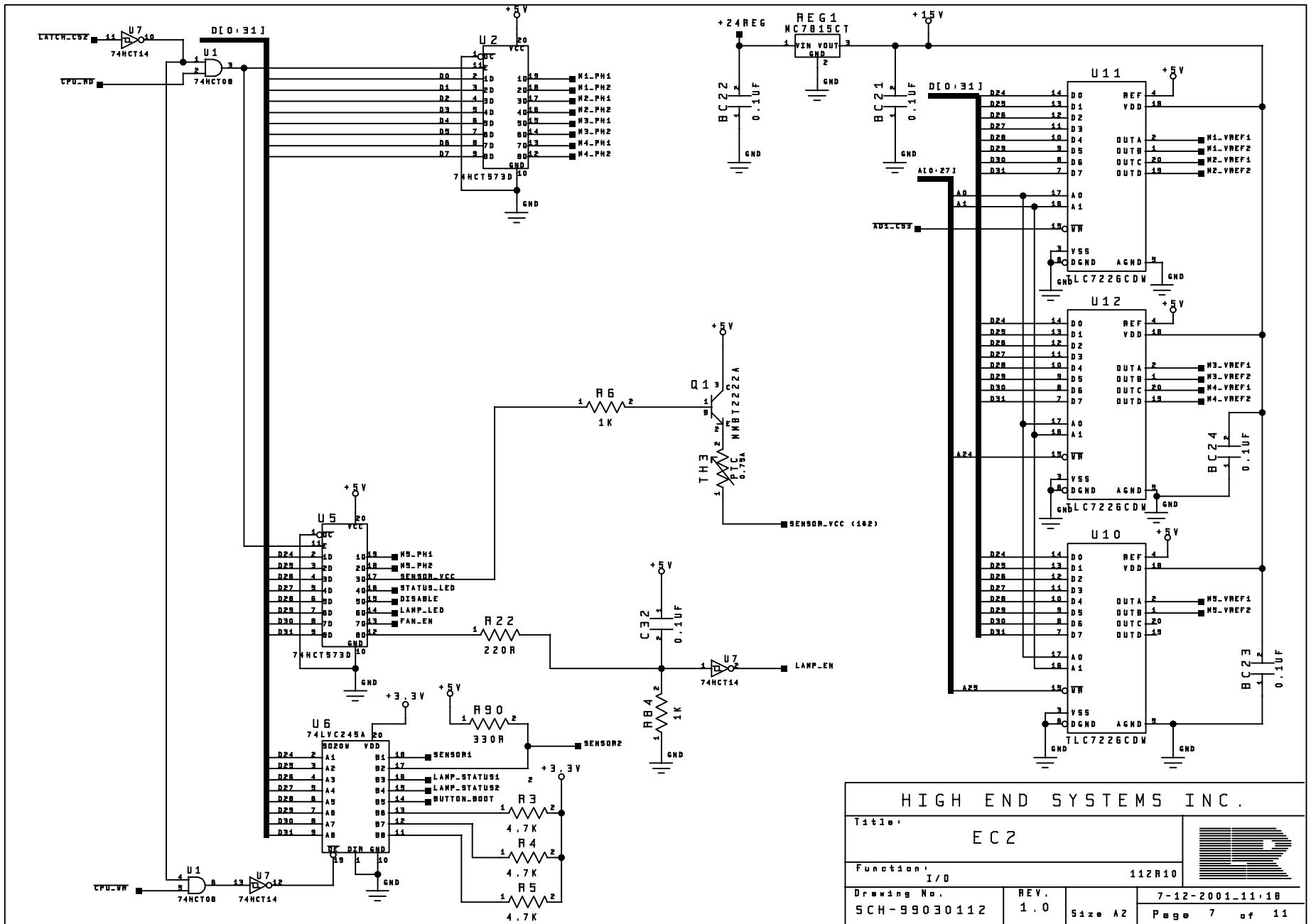
NMI IS SET FOR 10 VOLTS



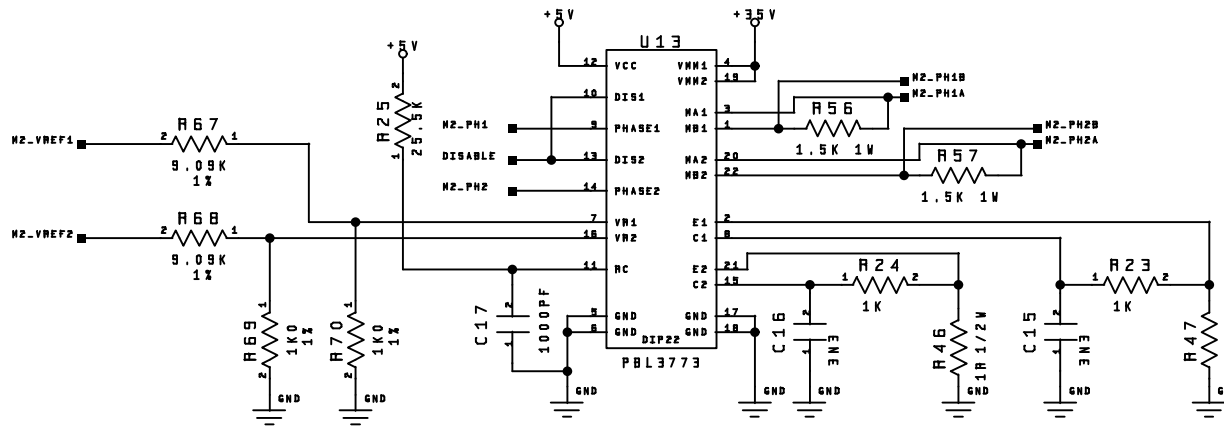
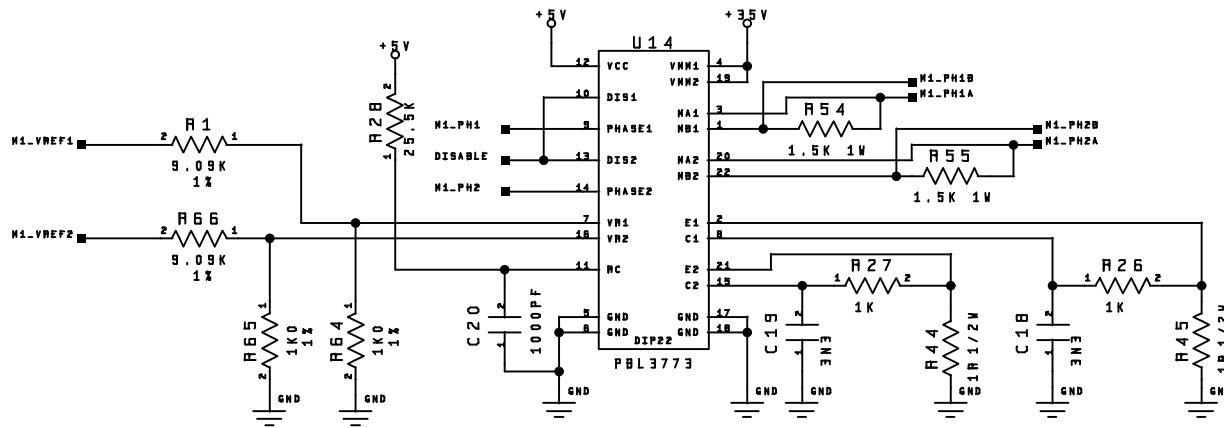
LOCATE NEXT TO SENSOR CONNECTOR

HIGH END SYSTEMS INC.			
Title:		EC2	
Function:		POWER SUPPLY	112R10
Drawing No.		REV.	11-16-2000.11.40
SCH-99030112		1.0	Page 5 of 11
Size A2			





HIGH END SYSTEMS INC.			
Title:		EC2	
Function:		I/O 112R10	
Drawing No.	REV.	7-12-2001_11.18	
SCH-99030112	1.0	Size A2	Page 7 of 11



HIGH END SYSTEMS INC.

Title:

EC2

Function:

MAKES THINGS GO

112R10

Drawing No.

SCH-99030112

REV.

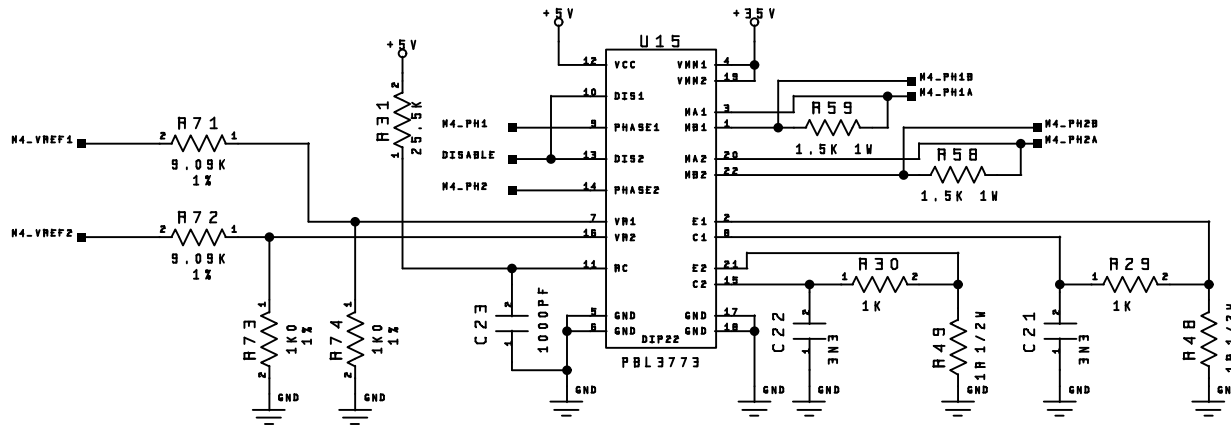
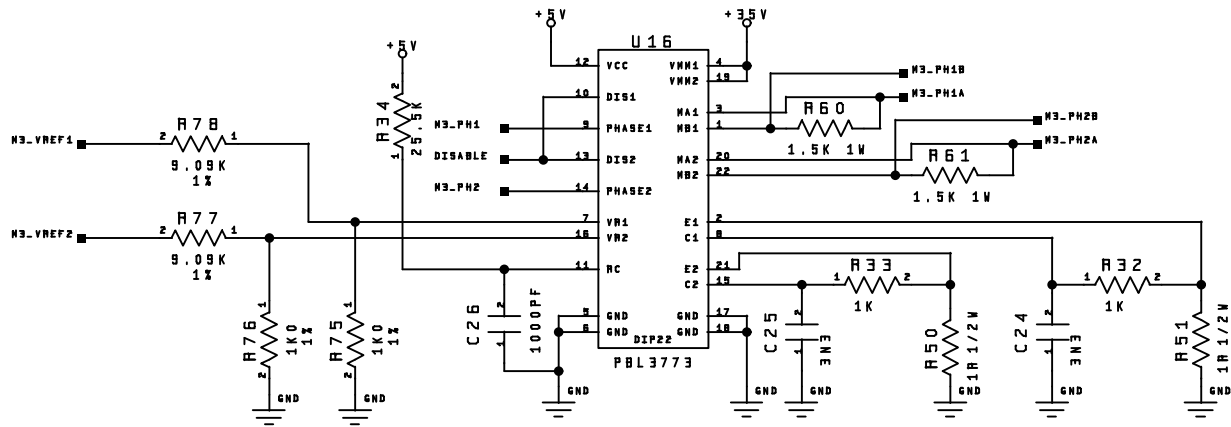
1.0

Size A2

11-16-2000_B.05

Page 8 of 11





HIGH END SYSTEMS INC.

Title:

EC2

Function:

MAKES THINGS GO

112R10

Drawing No.

SCH-99030112

REV.

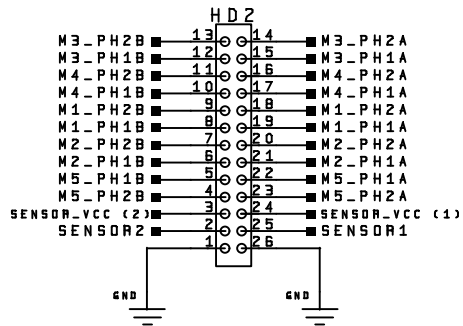
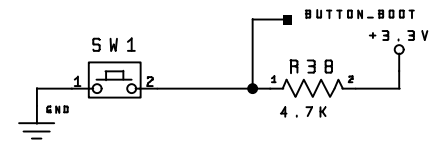
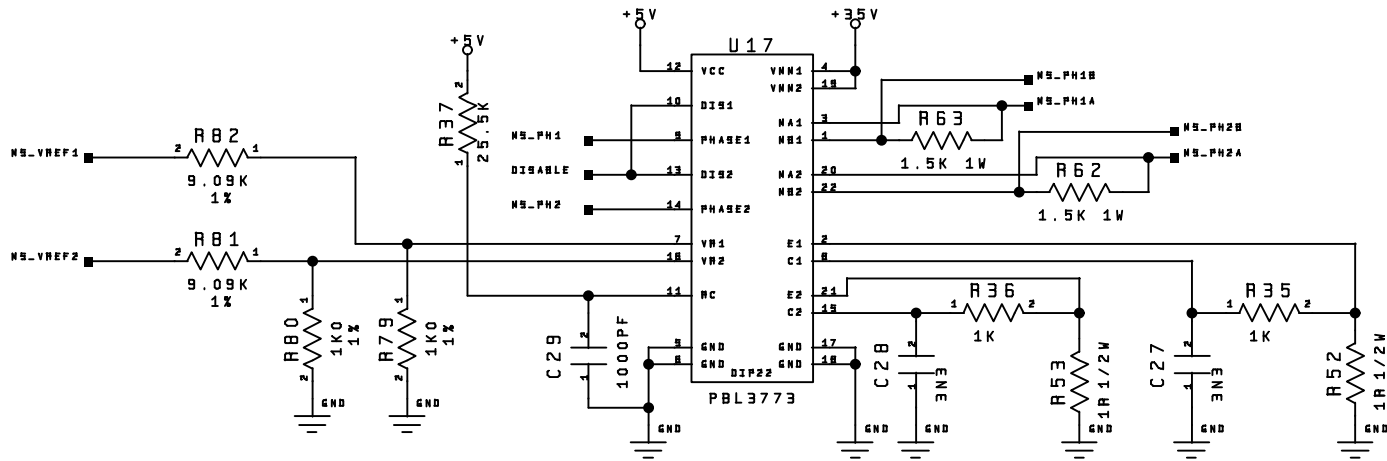
1.0

Size A2

11-16-2000-B.05

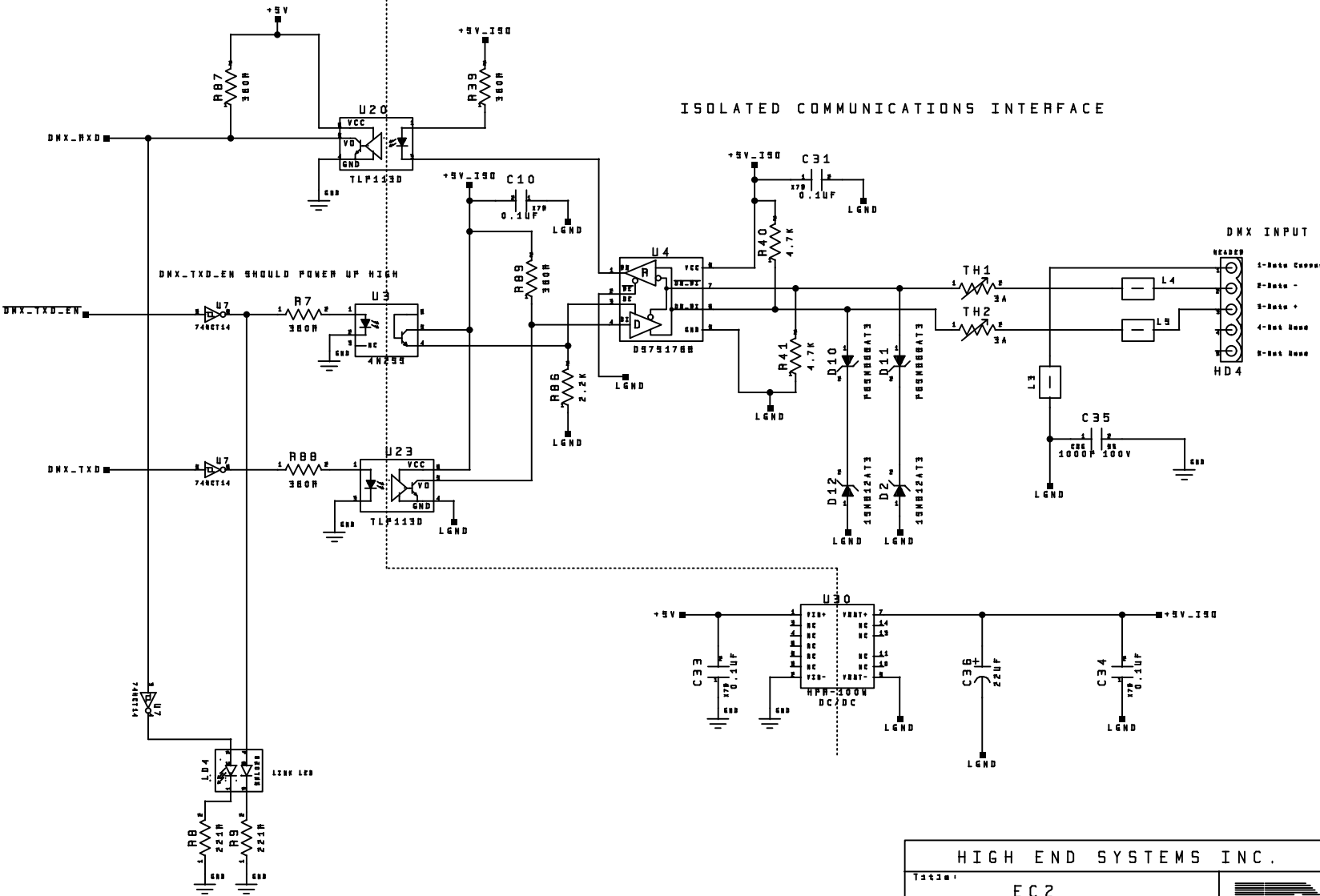
Page 9 of 11





HIGH END SYSTEMS INC.			
Title:		EC2	
Function:		MAKES THINGS GO 112R10	
Drawing No.	REV.	7-12-2001-11-18	
SCH-99030112	1.0	Size A2	Page 10 of 11

ISOLATED COMMUNICATIONS INTERFACE



HIGH END SYSTEMS INC.			
Title:		EC2	
Function:		COMMUNICATIONS	112R10
Drawing No.	REV.	7-12-2001-15:31	
SCH-99030112	1.0	Size A2	Page 11 of 11