

REVISION HISTORY

SCH REV	PCB REV	ECO NO.	DATE	COMMENT
1.0	1.0	NONE		INITAIL
1.1	1.1	NONE	--	add L1-L3, rotate J1.P1 180 deg., mtg holes to .236 ( needs mode)
1.2	1.2	NONE		corrected rxd line
1.3	1.3	NONE		
1.4	1.4	4304		ADDED 1000PF CAPS
1.4.1	1.4	7214		CHANGED CAPS C10 AND C11 TO 1000 VOLT

NOTES :

UNLESS OTHERWISE SPECIFIED :

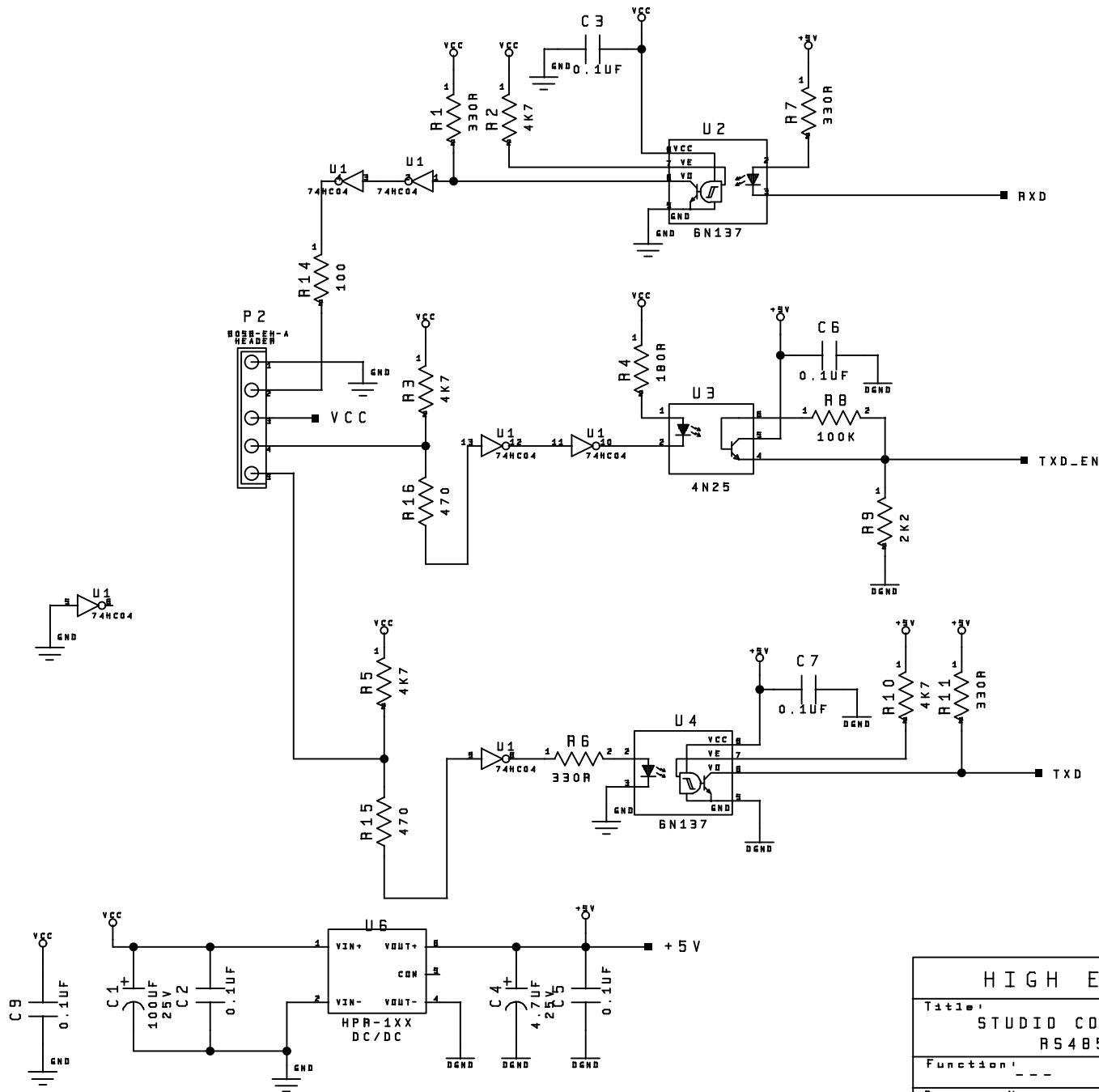
1. ALL RESISTOR VALUES ARE IN OHMS
2. ALL RESISTORS ARE 1/4 WATT 5% OR BETTER
3. CAPACITORS VALUES ARE IN PICO FARADS
4. ALL NON POLARIZED CAPACITORS ARE 50V OR BETTER  
VALUES BELOW 1000pF ARE NPO/CDG TYPE 5%  
VALUES 470pF TO 1000pF ARE X7R 10%  
VALUES ABOVE 1000pF ARE Z5U +/- 20 %
5. ALL POLARIZED CAPACITORS ARE 20% OR BETTER
6. ALL DIODES ARE 1N4148

Copyright (c) 1994-1998 High End Systems, Inc. All rights reserved worldwide.

Studio Color, Lightwave Research, the Lightwave Research logo, High End Systems and the High End Systems logo are registered trademarks of High End Systems, Inc. Trademarks and trade names of others may be used in this document to refer to either such other entities or to their products. High End Systems Inc. disclaims any proprietary interest or connection to such marks or entities.

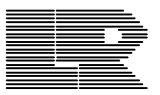
HIGH END SYSTEMS INC.			
Title:		STUDIO COLOR FIXTURE RS485 COMM INTERFACE	
Function:		COVER SHEET 063R15	
Drawing No.	REV.	Designed:	
99030063SCH	1.5	DESIGNER	
Drawn:		Approved:	
DRAWER			
Date:	Size:	Page:	of:
10-14-1998_15:00	A2	1	3





# HIGH END SYSTEMS INC.

Title: STUDIO COLOR FIXTURE  
RS485 COMM INTERFACE



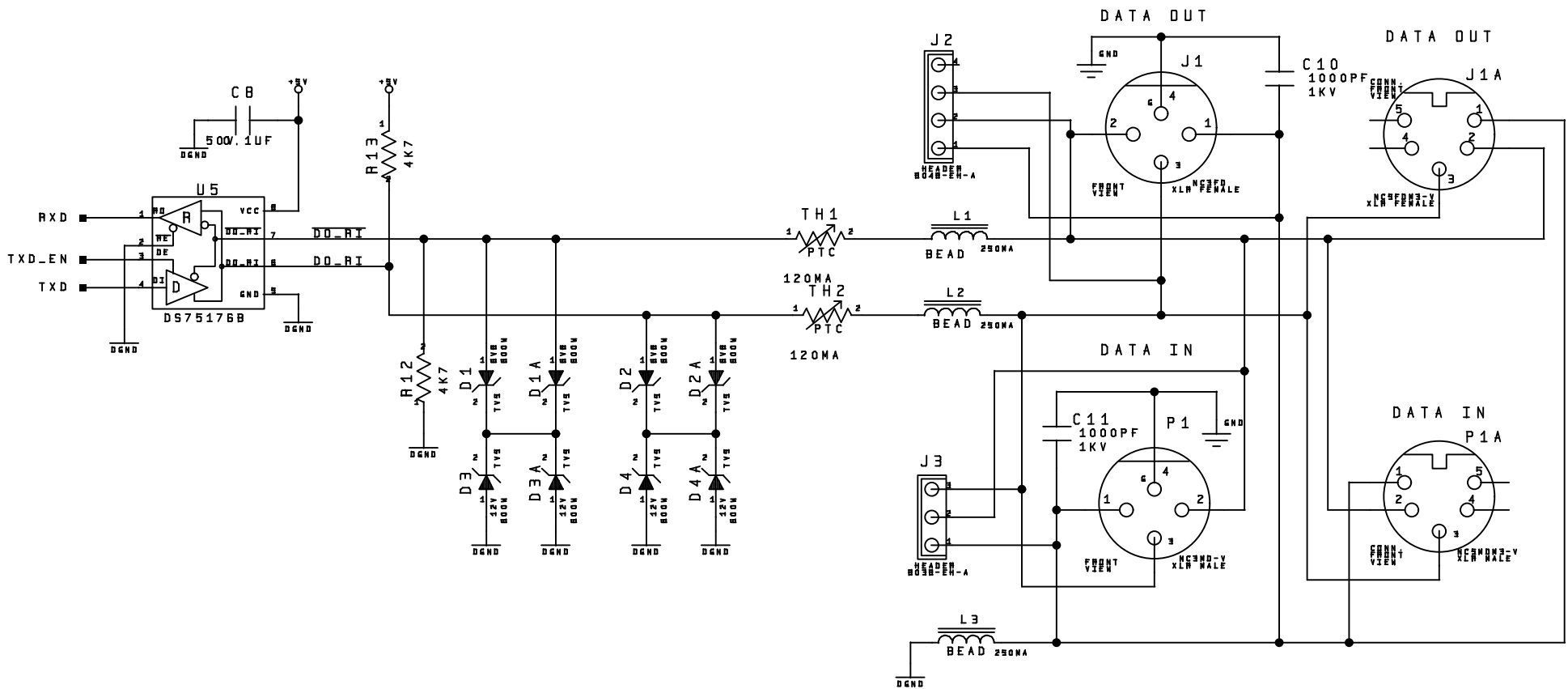
Function: --- 063R15

Drawing No. 990300635CH


REV. 1.5

Size A2

Date 11-7-1997\_10.45  
Page 2 of 3



3. ONLY MATCHING CONNECTORS ARE TO BE INSTALLED FOR P1, J1 AND P1A, J1A RESPECTIVELY  
 4. DUAL THROUGH HOLE AND SMT FOOTPRINTS ARE USED FOR D1-D4 ONLY THE THROUGH HOLE ON THE SMT VERSION ARE TO BE INSTALLED AT A LOCATION  
 5. PTC TH1 AND TH2 ARE DUAL FOOT PRINTS RES 120 OHM ARE INSTALLED IN LINE WITH THE THROUGH HOLE 1/4 WATT RES ARE INSTALLED IN OUTER HOLES

HIGH END SYSTEMS INC.			
Title:			
STUDIO COLOR FIXTURE RS485COMM INTERFACE			
Function:		063R15	
Drawing No.	REV.	Date	11-7-1997-8:40
990300635CH	1.5	Size A2	Page 3 of 3