

REVISION HISTORY

SCH REV	PCB REV	ECO NO.	DATE	COMMENT
- 2.1	- 2.1	-		INITAIL

NOTES :

UNLESS OTHERWISE SPECIFIED :


1. ALL RESISTOR VALUES ARE IN OHMS
2. ALL RESISTORS ARE 1/4 WATT 5% OR BETTER
3. CAPACITORS VALUES ARE IN PICO FARADS
4. ALL NON POLARIZED CAPACITORS ARE 50V OR BETTER
VALUES BELOW 470pF ARE NPO/COG TYPE 5%
VALUES 470pF TO 1000pF ARE X7R 10%
VALUES ABOVE 1000pF ARE Z5U +/- 20 %
5. ALL POLARIZED CAPACITORS ARE 20% OR BETTER
6. ALL DIODES ARE 1N4148

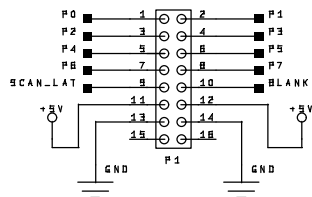
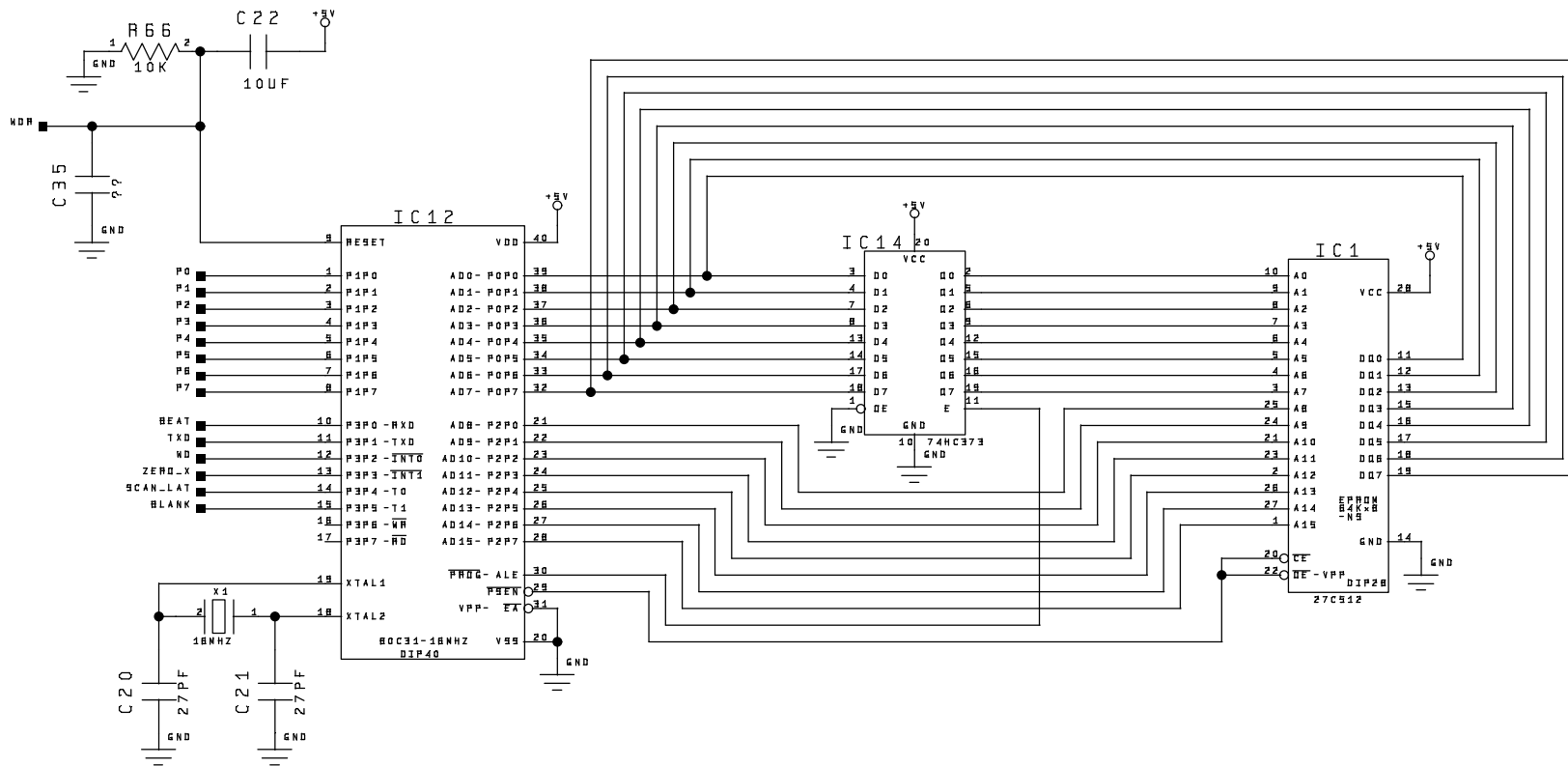
MINICONTROLLER DF ST4

PROPRIETY NOTICE

This document contains confidential and proprietary information of High End Systems, Inc., (also dba Lightwave Research) and is given to the receiver in confidence. The receiver accepts and agrees that, except as authorized by High End Systems, the receiver will not use or permit the use of the document or any copy thereof or the information therein, will not copy or permit copying the document, will not disclose to others either the document or the information therein, and will upon completion of the need to retain the document, or upon demand, return the document without retaining any of the information therein in any form whatsoever.

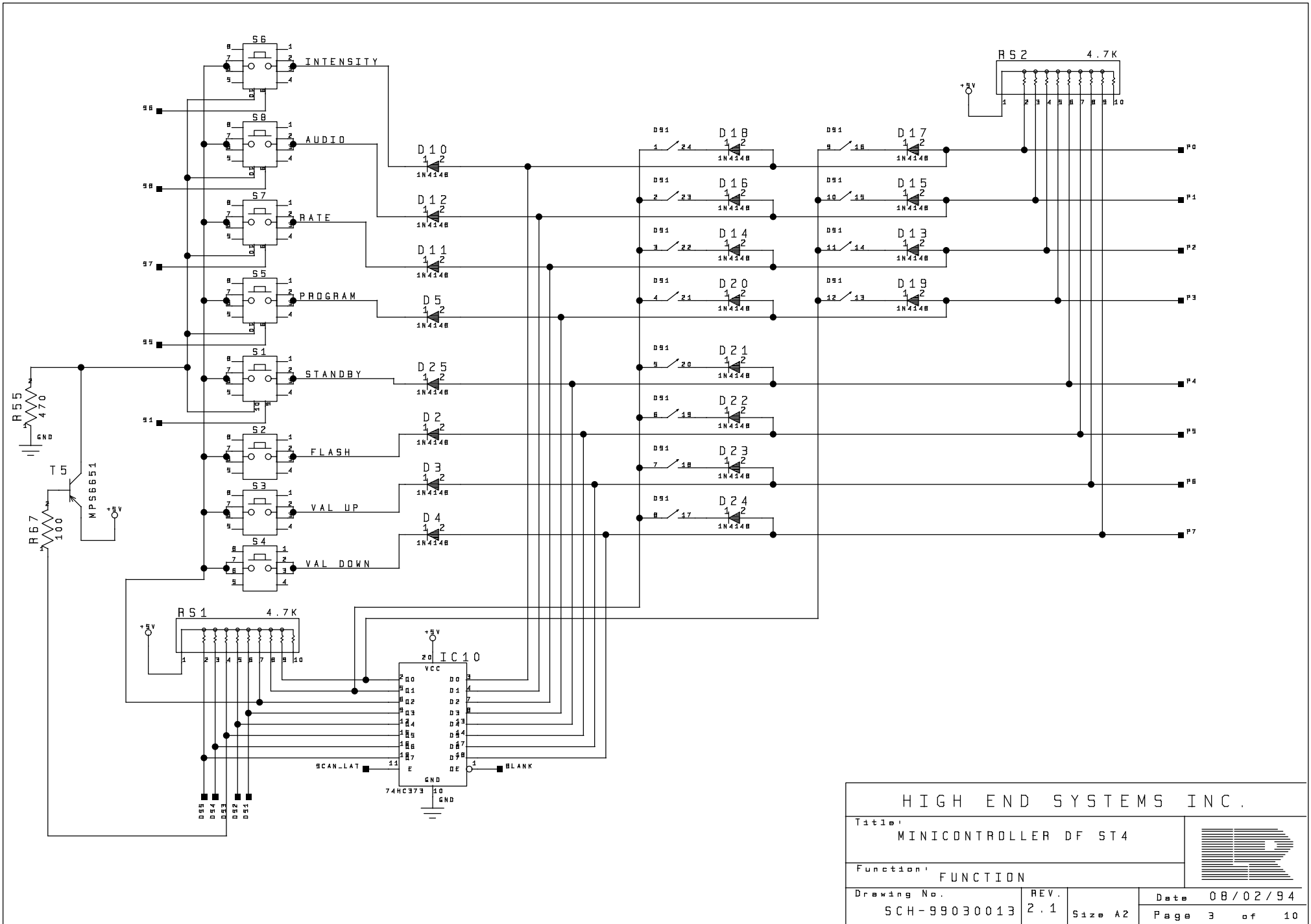
Copyright © 1994 High end systems, Inc.

HIGH END SYSTEMS INC.			
Title:		MINICONTROLLER DF ST4	
			
Function: COVER SHEET			
Drawing No.	REV.	Designed:	
SCH-99030013	2.1	DESIGNER	
Drawn:		Approved:	
DRAWER			
Date	Size	Page	
08/02/94	A2	1	of 10



THIS IS A KEYBOARD EXPANSION SOCKET.
IT WILL NOT BE STUFFED.
IT IS ONLY FOR EXPANSION.

HIGH END SYSTEMS INC.			
Title:		MINICONTROLLER DF ST4	
Function:		FUNCTION	
Drawing No.	REV.	Size	Date
SCH-99030013	2.1	A2	08/02/94
		Page 2 of 10	



HIGH END SYSTEMS INC.

Title: MINICONTROLLER DF ST4



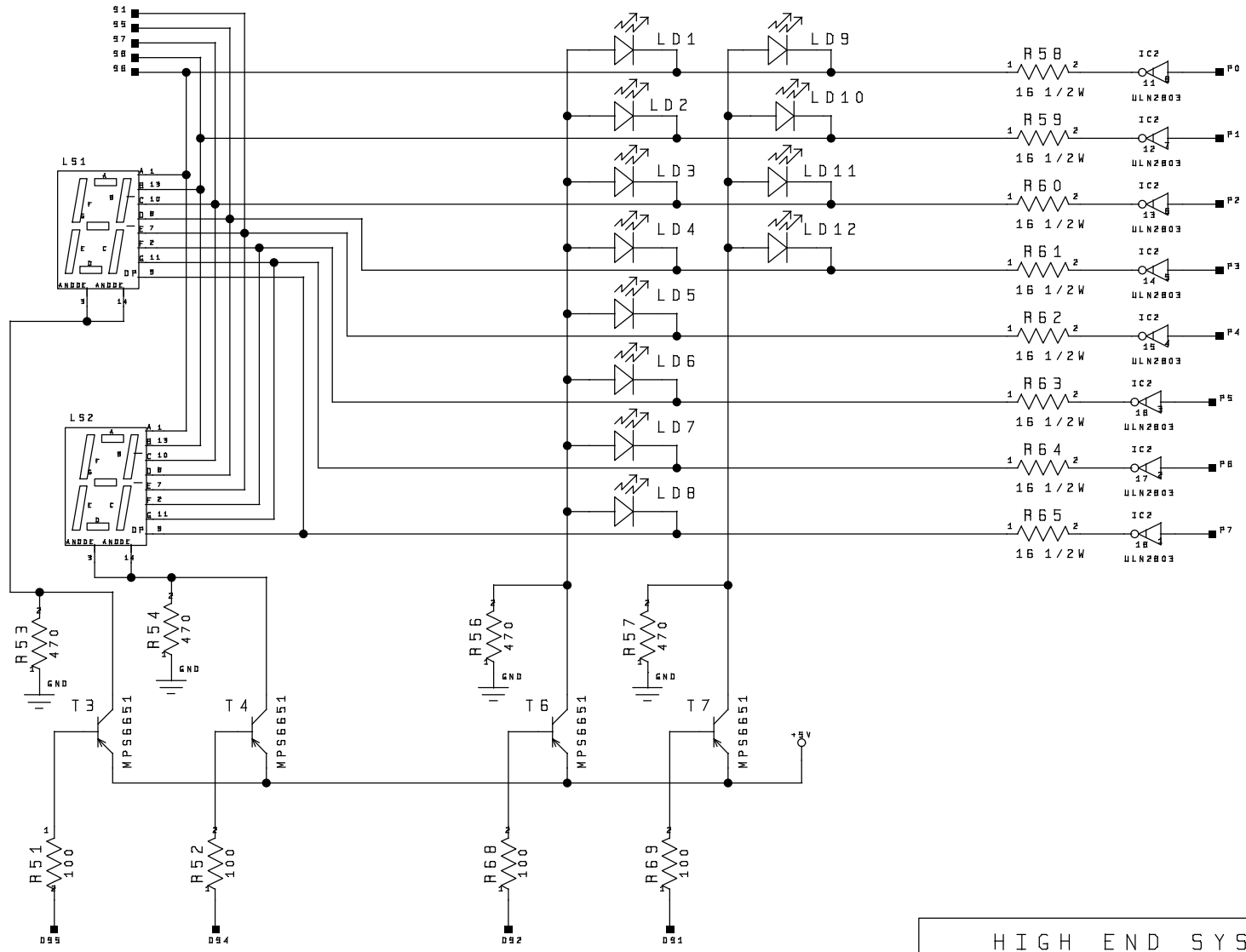
Function: FUNCTION

Drawing No. SCH-99030013

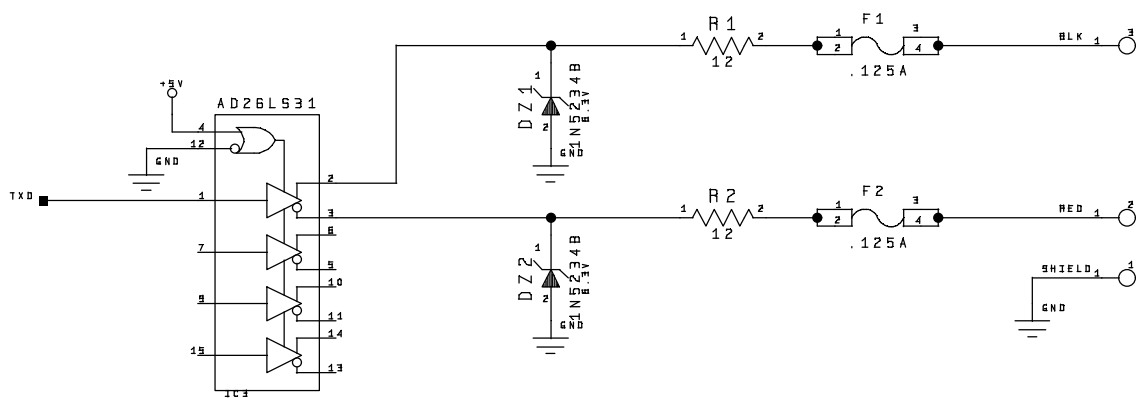
REV. 2.1

Size A2

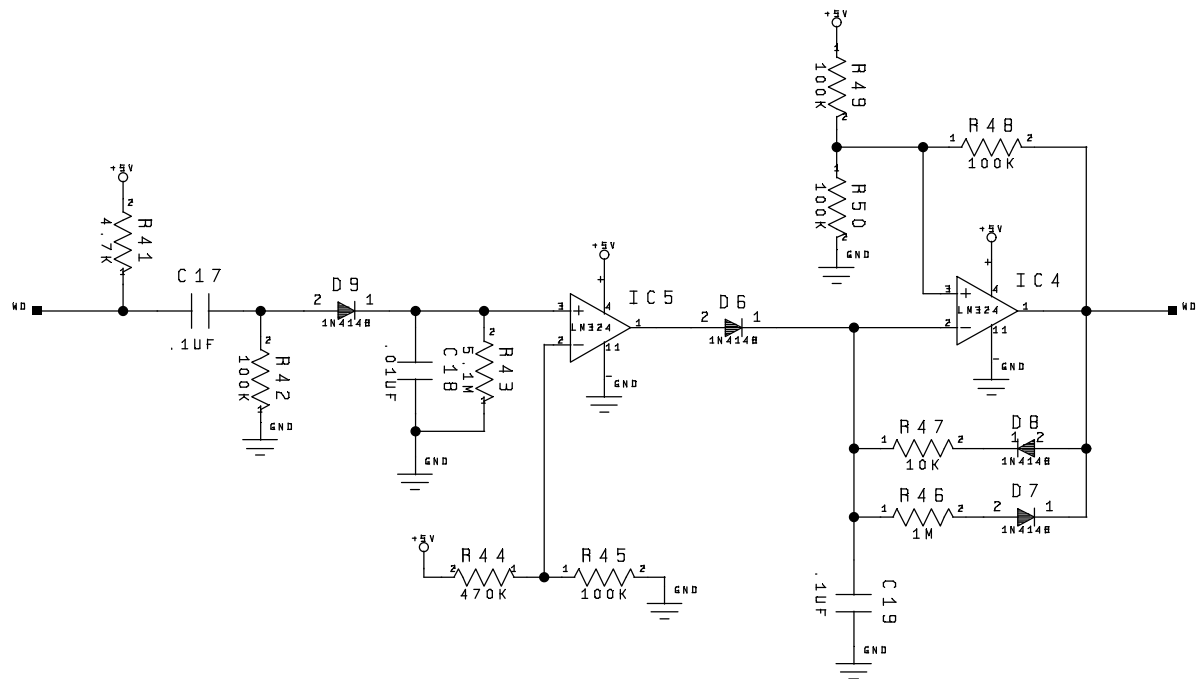
Date 08/02/94
Page 3 of 10



HIGH END SYSTEMS INC.			
Title:		MINICONTROLLER DF ST4	
Function:		FUNCTION	
Drawing No.	REV.	Size	Date
SCH-99030013	2.1	A2	08/02/94
			Page 4 of 10



HIGH END SYSTEMS INC.			
Title:		MINICONTROLLER DF ST4	
Function:		FUNCTION	
Drawing No.	REV.	Date	08/02/94
SCH-99030013	2.1	Size A2	Page 5 of 10

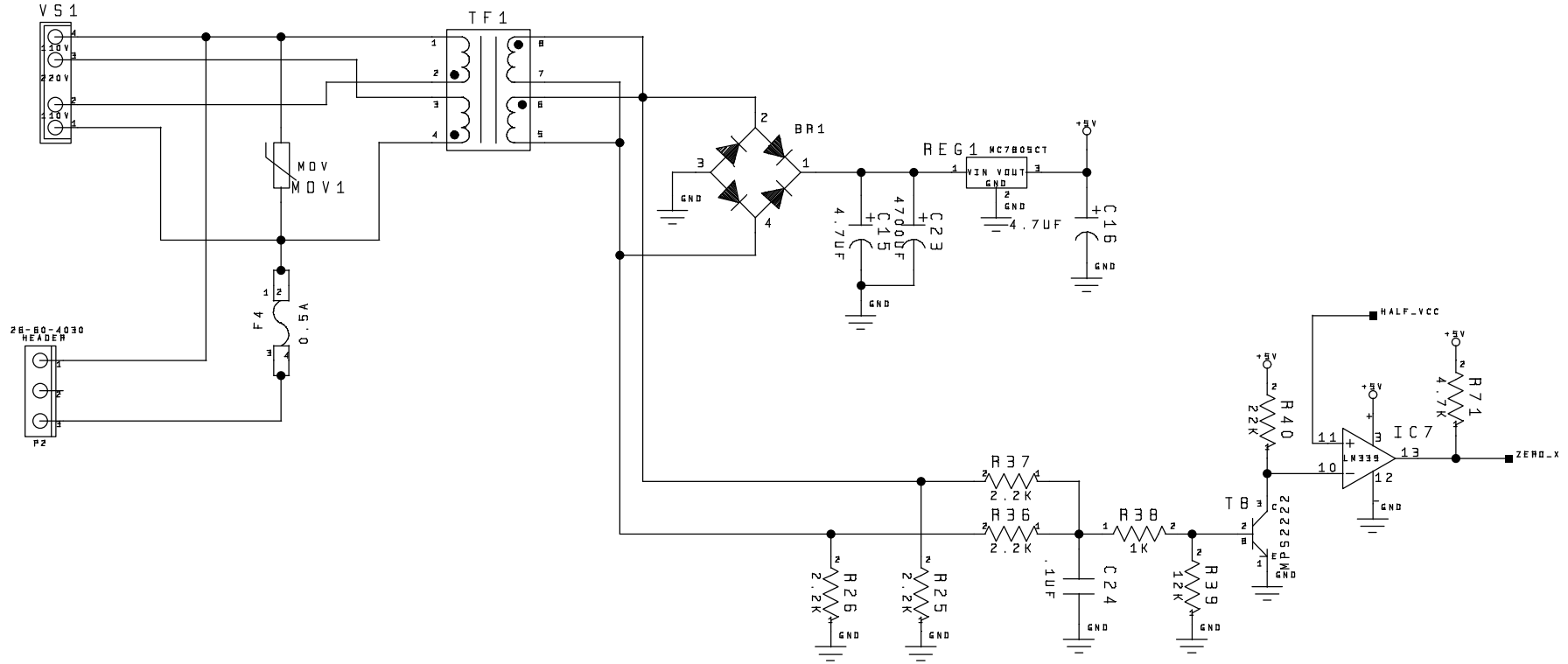


HIGH END SYSTEMS INC.			
Title:		MINICONTROLLER DF ST4	
Function:		FUNCTION	
Drawing No.	REV.	Size	Date
SCH-99030013	2.1	A2	08/02/94
		Page	of
		6	10

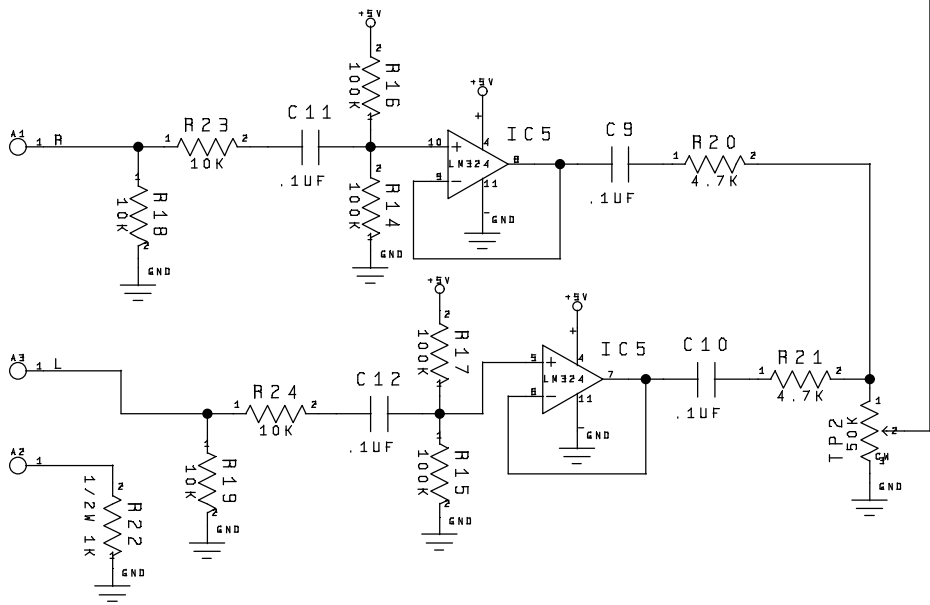
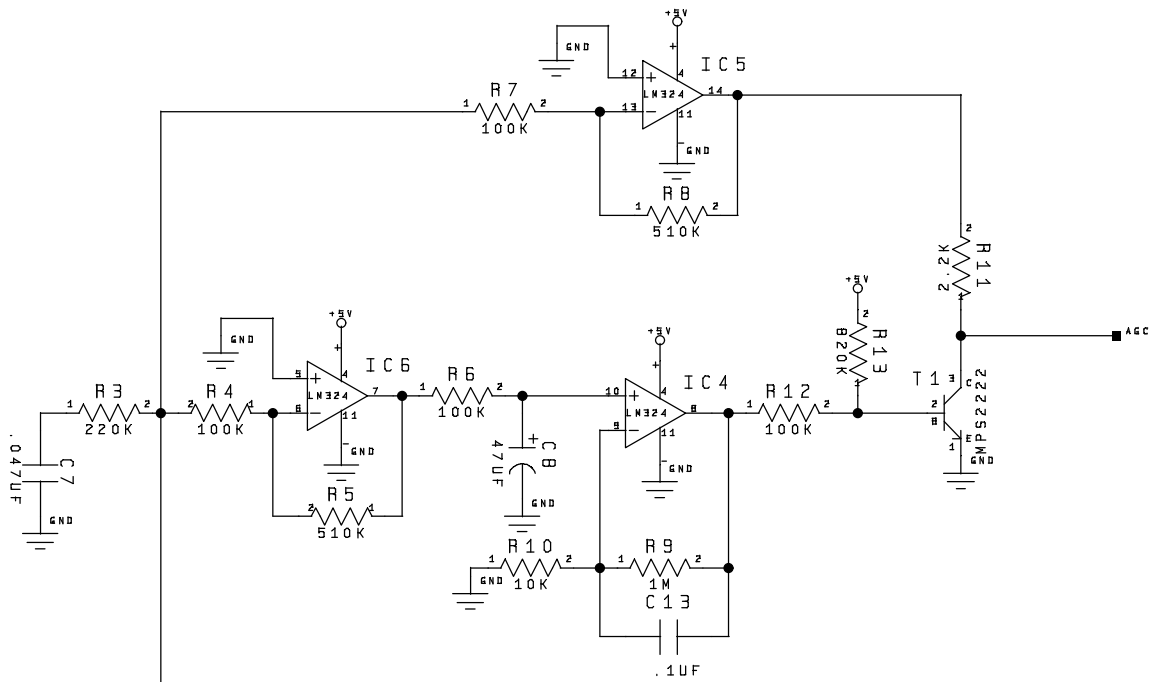


FOR 220 VAC IN
SHORT 2 AND 3 ON VS1

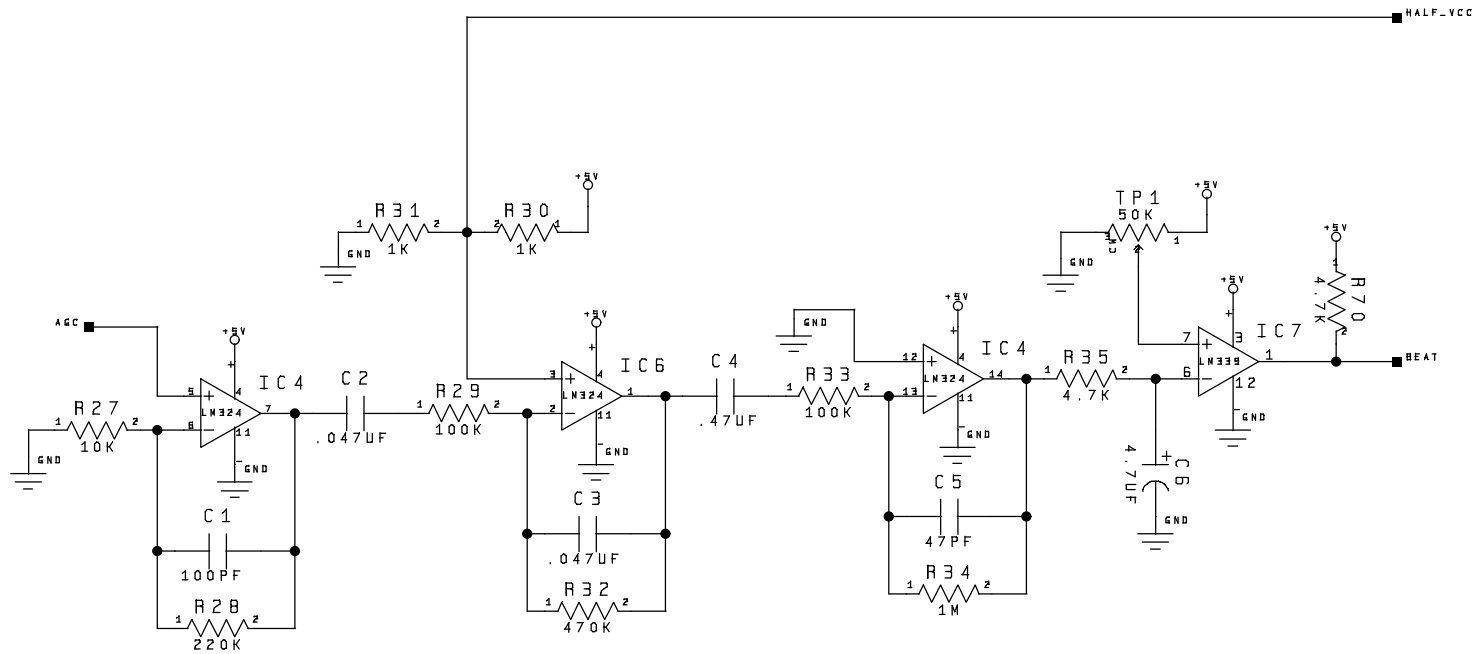
FOR 110 VAC IN
SHORT 1 TO 3 AND 2 TO 4 ON VS1



HIGH END SYSTEMS INC.			
Title:		MINICONTROLLER DF ST4	
Function:		FUNCTION	
Drawing No.	REV.	Date	08/02/94
SCH-99030013	2.1	Size A2	Page 7 of 10



HIGH END SYSTEMS INC.			
Title:		MINICONTROLLER DF ST4	
Function:		FUNCTION	
Drawing No.	REV.	Size	Date
SCH-99030013	2.1	A2	08/02/94
Page 8		of 10	



HIGH END SYSTEMS INC.

Title: MINICONTROLLER DF ST 4



Function: FUNCTION

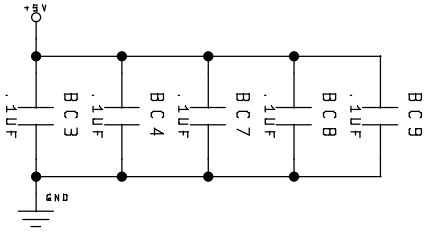
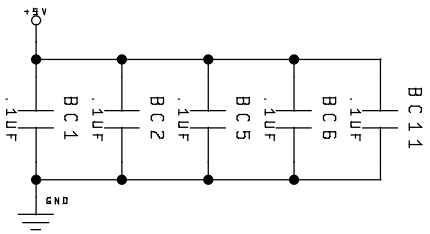
Drawing No. SCH-99030013

REV. 2.1

Size A2

Date 08/02/94

Page 9 of 10



HIGH END SYSTEMS INC.

Title: MINICONTROLLER DF ST4



Function: FUNCTION

Drawing No.
SCH-99030013

REV.
2.1

Size A2

Date 08/02/94

Page 10 of 10