

**FOR SERVICE
REFERENCE ONLY**

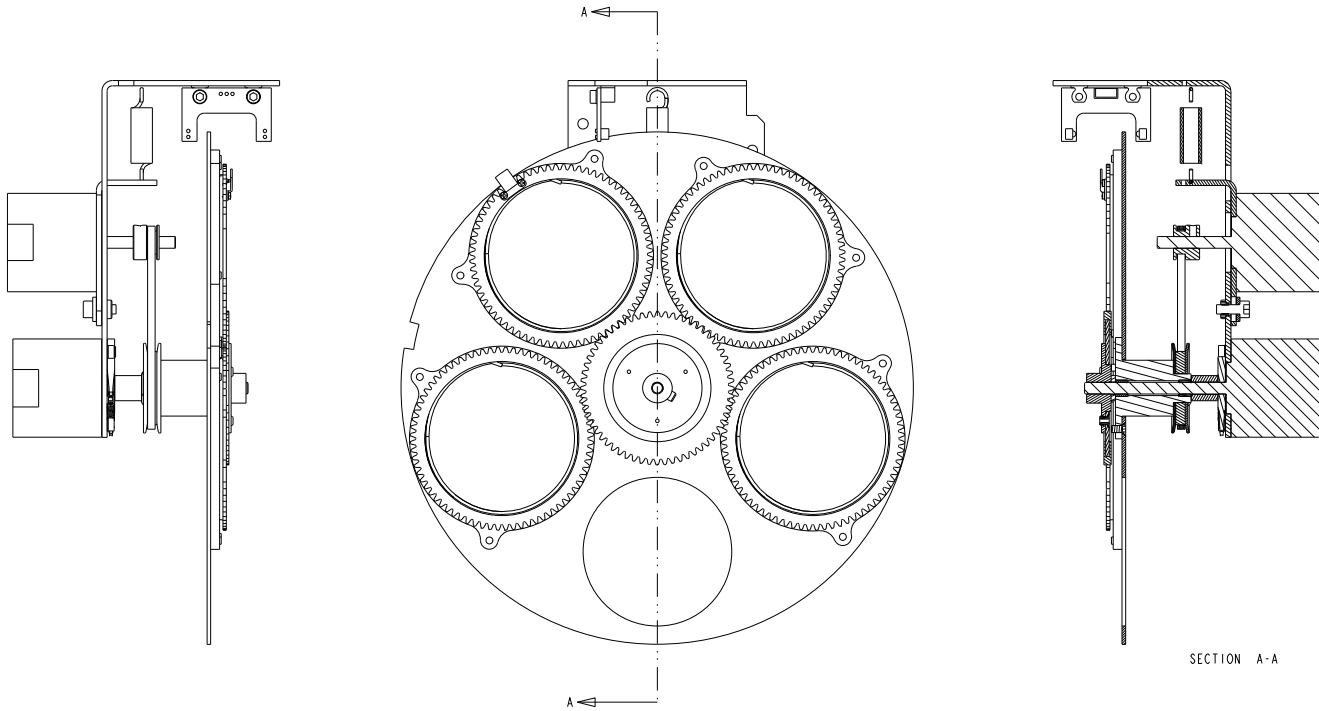
ITEM NO.	QTY.	FILENAME	PART NO.	DESCRIPTION
19	1	TTA071	80560048	WHEEL,ASM,W/LITHOS SG 2.5 SVC
18	1	TW314	90706201	WASHER, FRICTION TORLON, ROT GOBO A1
17	1	WASHER_FLAT_NYLON	90706129	WASHER #8 FLAT, NYLON (.1771D, .4100D)
16	1	TWA024	99430127	SUN GEAR ASSEMBLY, ROT GOBO A1
15	1	SPRING360_1250EXT	90701380	SPRING,EXTENSION .360 X 1.25 FREE LENGTH
14	1	TT305	90702388	SPACER,GOBO,CENTER HUB SG 2.5
13	1	TW379	90702374	SCREW,SHOULDER,M3,MOTOR MNT
12	1	SCREWM4AC10BZP	91050410	SCREW,M4 SOCKET CAP 10 BZ W/PATCH
11	4	SCREWM3AF06BZP	91040306	SCREW,M3 SOCKET CSNK FLAT 06 BZ W/PATCH
10	5	SCREWM3AC06W-BZ	91000306	SCREW,M3 SOCKET CAP 06 BZ SEMS
9	1	CC508	99360012	PULLEY,.080 1/8W 16GR ALUM 2 SET MADE TO
8	1	TW655	99080319	PLATE,MOTOR TENSIONER,ROT GOBO SG
7	1	TT105	CHARTED	MOUNT,MOTOR DRIVE,ROTATING GOBO SG 2.5
6	1	MR108_06	99270080	MOTOR,STEP 2PH MET S17 62.5mm ALNICO NMB
5	1	MR108_03	99270077	MOTOR,STEP 2PH MET S17 33.8mm ALNICO NMB
4	1	99310452	99310452	LABEL,GOBO MOTOR COVER SG
3	1	SP093	80140026	DAMPER, MOTOR BRAKE ARAMID ASSY
2	1	TT425	80040045EF	BOARD,SENSOR 1" X .45" FRONT CONN ASSY
1	1	TW531	99360047	BELT,MXL,95 TOOTH, 1/8 WIDE, HI TEMP

BILL OF MATERIALS

UNLESS OTHERWISE SPECIFIED DIMENSIONAL TOLERANCES: 0 PLACE DECIMAL = ±0.38 1 PLACE DECIMAL = ±0.25 2 PLACE DECIMALS = ±0.13 ANGLES = ±0.5°	RELEASE DATE: ENG: ME: MEG:	CE: OA: DRW:	High End 2105 GRACY FARMS LANE AUSTIN, TEXAS 78758 (512) 836-2242 FAX (512) 832-4128 http://www.highend.com	LR LIGHTWAVE RESEARCH
FOR PAINTED PARTS REFER TO ENG. SPEC. MANUAL WI-0592 ALL COMPONENTS, MATERIALS AND FINISHES TO BE RoHS COMPLIANT	DESCRIPTION: WHEEL,ASM,W/LITHO & MOTORS SG 2.5 SVC	MATERIAL: CHARTED	FINISH: NONE	
MIN. DRAFT	INTERPRET DIMENSIONS PER ASME Y14.5M-1994 THIRD ANGLE PROJECTION DIMENSIONS ARE IN MILLIMETERS	SI METRIC A1	PART NO. 80560049	DRAWING NO. TTA092_SVC
MIN. RADII			DO NOT SCALE	SCALE: 0.500
FLATNESS				SHEET: 1 OF 2
THICKNESS				
VOLUME				

PROPRIETARY NOTICE:
THIS DOCUMENT CONTAINS CONFIDENTIAL AND PROPRIETARY INFORMATION OF HIGH END SYSTEMS INC., (ALSO DBA LIGHTWAVE RESEARCH) AND IS GIVEN TO THE RECEIVER IN CONFIDENCE. THE RECEIVER ACCEPTS AND AGREES THAT, EXCEPT AS AUTHORIZED BY HIGH END SYSTEMS, THE RECEIVER WILL NOT PERMIT THE USE OF THE DOCUMENT OR ANY COPY THEREOF OR THE INFORMATION THEREIN, WILL NOT COPY OR PERMIT COPYING THE DOCUMENT OR THE INFORMATION THEREIN, AND WILL UPON COMPLETION OF THE NEED TO RETAIN THE DOCUMENT, OR UPON DEMAND, RETURN THE DOCUMENT WITHOUT RETAINING ANY OF THE INFORMATION CONTAINED THEREIN IN ANY FORM WHATSOEVER.

FOR SERVICE
REFERENCE ONLY



SECTION A-A

UNLESS OTHERWISE SPECIFIED		RELEASE DATE:	CE:	2105 GRACY FARMS LANE AUSTIN, TEXAS 78758 (512) 836-2242 FAX (512) 832-4128 http://www.highend.com	LIGHTWAVE RESEARCH
DIMENSIONAL TOLERANCES:		ENG:	OA:		
0 PLACE DECIMAL = ±0.38		ME:	DRW:		
1 PLACE DECIMAL = ±0.25		MEG:			
2 PLACE DECIMALS = ±0.13		DESCRIPTION:		WHEEL, ASM, W/LITHO & MOTORS SG 2.5 SVC	
ANGLES = ±0.5°		MATERIAL:		FINISH:	
FOR PAINTED PARTS REFER TO		CHARTED		NONE	
ENG. SPEC. MANUAL WI-0582		INTERPRET DIMENSIONS PER		PART NO.	DRAWING NO.
ALL COMPONENTS, MATERIALS AND		ASME Y14.5M-1994		80560049	TTA092_SVC
FINISHES TO BE RSHS COMPLIANT		THIRD ANGLE PROJECTION			REV.
MIN. DRAFT		DIMENSIONS ARE IN MILLIMETERS			NA
MIN. RADI		SI METRIC A1		DO NOT SCALE	SCALE: 0.500
FLATNESS					SHEET: 2 OF 2
THICKNESS					
VOLUME					

PROPRIETARY NOTICE:
 THIS DOCUMENT CONTAINS CONFIDENTIAL AND PROPRIETARY INFORMATION OF HIGH END SYSTEMS INC., (ALSO DBA LIGHTWAVE RESEARCH) AND IS GIVEN TO THE RECEIVER IN CONFIDENCE. THE RECEIVER ACCEPTS AND AGREES THAT, EXCEPT AS AUTHORIZED BY HIGH END SYSTEMS, THE RECEIVER WILL NOT PERMIT THE USE OF THE DOCUMENT OR ANY COPY THEREOF OR THE INFORMATION THEREIN, WILL NOT COPY OR PERMIT COPYING THE DOCUMENT WILL NOT DISCLOSE TO OTHERS EITHER THE DOCUMENT OR THE INFORMATION THEREIN, AND WILL UPON COMPLETION OF THE NEED TO RETAIN THE DOCUMENT, OR UPON DEMAND, RETURN THE DOCUMENT WITHOUT RETAINING ANY OF THE INFORMATION CONTAINED THEREIN IN ANY FORM WHATSOEVER.