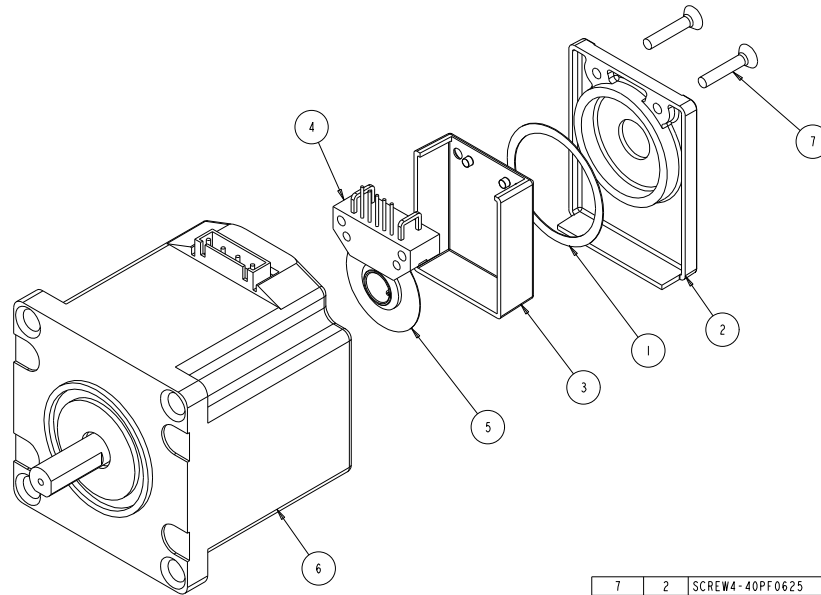
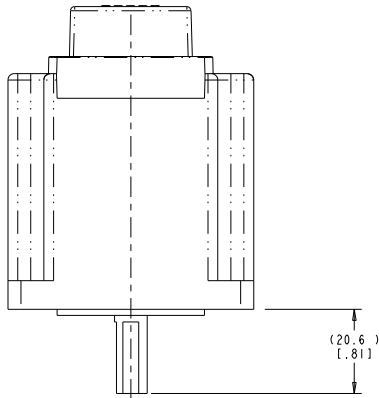


TW502



REV.	DESCRIPTION	DATE	ENG	ECO #	APPR
1	RELEASE FOR PROTOTYPE	23FEB07	SH		
2	ADD ITEM 7 TO BOM	29APR08	PP		MB
3	MOTOR WAS MR110, NOW MR114;;EXPLODE THE VIEW	03OCT08	LR		

ITEM NO.	QTY.	FILENAME	PART NO.	REV	DESCRIPTION
7	2	SCREW4-40PF0625	90709134	-	SCREW, 4-40 PHIL FLAT 5/8
6	1	MR114	99270085	-	MOTOR, STEP, 3PH S60, 19MM DL SHFT HI TO, JS
5	1	FS524	90306068	-	ENCODER, WHEEL/HUB, 500 CPR 5V
4	1	FS523	90306067	-	ENCODER, OPTICAL MODULE, 500 CPR 5V
3	1	FS227	99220023	A	COVER, ENCODER, DIE CAST
2	1	FS228	80130023	A	BASE, ENCODER, DIE CAST
1	1	FS805	99250029	-	ADHESIVE, RING ENCODER

BILL OF MATERIALS

UNLESS OTHERWISE SPECIFIED DIMENSIONAL TOLERANCES: 1 PLACE DECIMALS : ± .015 2 PLACE DECIMALS : ± .010 3 PLACE DECIMALS : ± .005 ANGLES : ± 1.0°	RELEASE DATE: ENG: ME: MEG:	CE: OA: DRW: PETE PHILLIPS	High End 2105 GRACY FARMS LANE AUSTIN, TEXAS 78758 (512) 836-2242 FAX (512) 832-8542 http://www.highend.com	LR LIGHTWAVE RESEARCH
FOR PAINTED PARTS REFER TO ENG. SPEC. MANUAL WI-0592 ALL COMPONENTS, MATERIALS AND FINISHES TO BE R6HS COMPLIANT	MATERIAL: FINISH:	DESCRIPTION: MOTOR, ENCODER ASSEMBLY SB/SG	SIZE D	PART NO. INTERNAL
UNLESS OTHERWISE SPECIFIED INTERPRET DIMENSIONS PER ASME Y14.5M-1994 DIMENSIONS ARE IN INCHES DRAWING USES THIRD ANGLE PROJECTION	FINISH: CHARTED	DRW: PETE PHILLIPS	SCALE: 1.750	REV. 3
MIN. DRAFT	MIN. RADIUS	MIN. FLATNESS	MIN. THICKNESS	VOLUME
DO NOT SCALE DRAWING		SHEET: 1 OF 1		

PROPRIETARY NOTICE:
THIS DOCUMENT CONTAINS CONFIDENTIAL AND PROPRIETARY INFORMATION OF HIGH END SYSTEMS INC., (ALSO DBA LIGHTWAVE RESEARCH) AND IS GIVEN TO THE RECEIVER IN CONFIDENCE. THE RECEIVER ACCEPTS AND AGREES THAT, EXCEPT AS AUTHORIZED BY HIGH END SYSTEMS, THE RECEIVER WILL NOT PERMIT THE USE OF THE DOCUMENT OR ANY COPY THEREOF OR THE INFORMATION THEREIN, WILL NOT COPY OR PERMIT COPYING THE DOCUMENT WILL NOT DISCLOSE TO OTHERS EITHER THE DOCUMENT OR THE INFORMATION THEREIN, AND WILL UPON COMPLETION OF THE NEED TO RETAIN THE DOCUMENT, OR UPON DEMAND, RETURN THE DOCUMENT WITHOUT RETAINING ANY OF THE INFORMATION CONTAINED THEREIN IN ANY FORM WHATSOEVER.