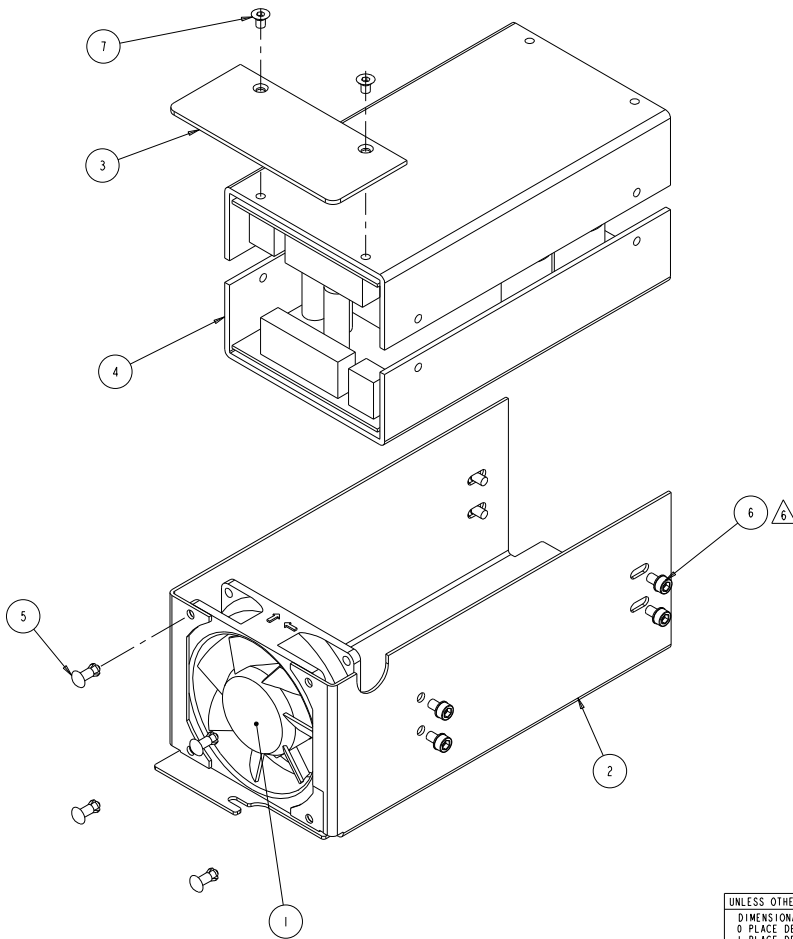


TWA053



REV.	DESCRIPTION	DATE	ENG	ECO #	APPR
1	CREATE DRAWING	05JAN07	MB		
2	PWR SUPPLY WAS 2 EACH PN 99070009	1MAR07	MB		
3	UPDATE DRAWING PER CHANGES TO ITEM #2	4APR07	MB		
4	ADD HARNESSSES TO PARTS LIST	01MAY07	MB		
5	UPDATE REVISIONS FOR TW170, TW169	14SEP07	KLB	#2333	MB
6	(8X) SCREWS WAS: 91110406, NOW 91000406	19NOV08	LR		

ITEM NO.	QTY.	FILENAME	PART NO.	REV	DESCRIPTION
9	2	TW722	90409294EF	A	HARNESS, MPS DC OUT
8	1	TW705	90409293EF	-	HARNESS, 40 V PS, ME-A1
7	2	SCREWM4AF06BZ	91040406	.	SCREW,M4 SOCKET CSNK FLAT 06 BZ W/PATCH
6	8	SCREWM4AC06W-BZ	91000406	.	SCREW,M4 SOCKET CAP 06 BZ SEMS
5	4	RIVET156X460PUSH_NY	90701336	.	RIVET, 5/32 PUSH .217-.256 NY BL
4	2	DD405	99070009	.	POWER SUPPLY, SWITCHING 40 V MOTOR PFC
3	1	TW170	99080317	A	PLATE,FILL,40 VOLT PS HOUSING
2	1	TW169	99350094	C	HOUSING,DUAL 40 VOLT POWER SUPPLY
1	1	CAT715	80270025EF	A	FAN,ASSY,12 V 80MM SQ X 25MM DL/SG

**UNLESS OTHERWISE SPECIFIED**

DIMENSIONAL TOLERANCES:  
 0 PLACE DECIMAL = ±0.38  
 1 PLACE DECIMAL = ±0.25  
 2 PLACE DECIMALS = ±0.13  
 ANGLES = ±0.5°

**RELEASE DATE:** \_\_\_\_\_  
**ENG:** MIKE BELL  
**ME:** \_\_\_\_\_  
**MEG:** \_\_\_\_\_  
**DRW:** MIKE BELL

**CE:** \_\_\_\_\_  
**OA:** \_\_\_\_\_  
**FINISH:** CHARTED  
**N/A:** \_\_\_\_\_

**FOR PAINTED PARTS REFER TO ENG. SPEC. MANUAL WI-0592**  
**ALL COMPONENTS, MATERIALS AND FINISHES TO BE R&HS COMPLIANT**

**MIN. DRAFT** \_\_\_\_\_  
**MIN. RADI1** \_\_\_\_\_  
**FLATNESS** \_\_\_\_\_  
**THICKNESS** \_\_\_\_\_  
**VOLUME** \_\_\_\_\_

**DESCRIPTION:**  
 40 VOLT POWER SUPPLY ASSEMBLY

**INTERPRET DIMENSIONS PER ASME Y14.5M-1994**  
**THIRD ANGLE PROJECTION**  
**DIMENSIONS ARE IN MILLIMETERS**

**SI METRIC A1**

**PART NO. INTERNAL TWA053**  
**DRAWING NO. TWA053**  
**REV. 6**

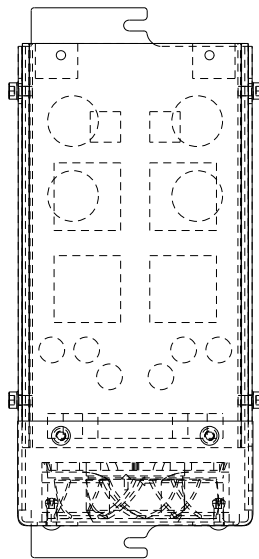
**DO NOT SCALE**    **SCALE: 1.000**    **SHEET: 1 OF 2**

**High End** 2105 GRACY FARMS LANE  
 AUSTIN, TEXAS 78758  
 (512) 836-2242  
 FAX (512) 832-4128  
 http://www.highend.com

**LR**  
**LIGHTWAVE RESEARCH**

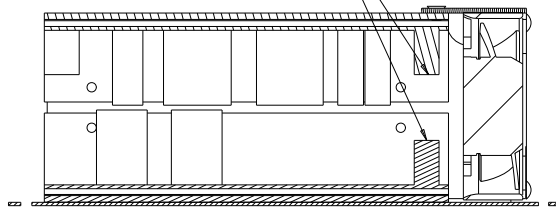
**PROPRIETARY NOTICE:**  
 THIS DOCUMENT CONTAINS CONFIDENTIAL AND PROPRIETARY INFORMATION OF HIGH END SYSTEMS INC., (ALSO DBA LIGHTWAVE RESEARCH) AND IS GIVEN TO THE RECEIVER IN CONFIDENCE. THE RECEIVER ACCEPTS AND AGREES THAT, EXCEPT AS AUTHORIZED BY HIGH END SYSTEMS, THE RECEIVER WILL NOT PERMIT THE USE OF THE DOCUMENT OR ANY COPY THEREOF OR THE INFORMATION THEREIN, WILL NOT COPY OR PERMIT COPYING THE DOCUMENT WILL NOT DISCLOSE TO OTHERS EITHER THE DOCUMENT OR THE INFORMATION THEREIN, AND WILL UPON COMPLETION OF THE NEED TO RETURN THE DOCUMENT, OR UPON DEMAND, RETURN THE DOCUMENT WITHOUT RETAINING ANY OF THE INFORMATION CONTAINED THEREIN IN ANY FORM WHATSOEVER.

TWA053

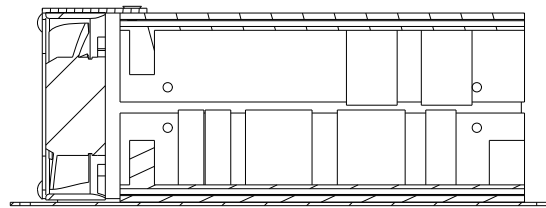
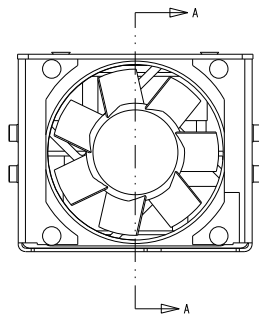


FAN COOLING  
AIR DIRECTION  
→

40V OUTPUT  
SHOWS POWER SUPPLY  
ORIENTATION



SECTION A-A



SECTION A-A

UNLESS OTHERWISE SPECIFIED		RELEASE DATE:	CE:	High End 2105 GRACY FARMS LANE AUSTIN, TEXAS 78758 (512) 836-2242 FAX (512) 832-4128 ***** <a href="http://www.highend.com">http://www.highend.com</a>	LIGHTWAVE RESEARCH
DIMENSIONAL TOLERANCES: 0 PLACE DECIMAL = ±0.38 1 PLACE DECIMAL = ±0.25 2 PLACE DECIMALS = ±0.13 ANGLES = ±0.5°		ENG: MIKE BELL	OA:		
FOR PAINTED PARTS REFER TO ENG. SPEC. MANUAL WI-0582		MATERIAL:	FINISH:		
ALL COMPONENTS, MATERIALS AND FINISHES TO BE R&HS COMPLIANT		CHARTED	N/A		
MIN. DRAFT MIN. RADIUS FLATNESS THICKNESS VOLUME		DESCRIPTION: 40 VOLT POWER SUPPLY ASSEMBLY		PART NO. INTERNAL TWA053	
INTERPRET DIMENSIONS PER ASME Y14.5M-1994 THIRD ANGLE PROJECTION DIMENSIONS ARE IN MILLIMETERS		SI METRIC A1		REV. 6	
		DO NOT SCALE		SCALE: 1:000	
				SHEET: 2 OF 2	

**PROPRIETARY NOTICE:**  
 THIS DOCUMENT CONTAINS CONFIDENTIAL AND PROPRIETARY INFORMATION OF HIGH END SYSTEMS INC., (ALSO DBA LIGHTWAVE RESEARCH) AND IS GIVEN TO THE RECEIVER IN CONFIDENCE. THE RECEIVER ACCEPTS AND AGREES THAT, EXCEPT AS AUTHORIZED BY HIGH END SYSTEMS, THE RECEIVER WILL NOT PERMIT THE USE OF THE DOCUMENT OR ANY COPY THEREOF OR THE INFORMATION THEREIN, WILL NOT COPY OR PERMIT COPYING THE DOCUMENT WILL NOT DISCLOSE TO OTHERS EITHER THE DOCUMENT OR THE INFORMATION THEREIN, AND WILL UPON COMPLETION OF THE NEED TO RETAIN THE DOCUMENT, OR UPON DEMAND, RETURN THE DOCUMENT WITHOUT RETAINING ANY OF THE INFORMATION CONTAINED THEREIN IN ANY FORM WHATSOEVER.