



Type(s)
Project
Date
Notes

OVERVIEW

FIXTURE OVERVIEW

Powered by a 600-watt Bright White LED source delivering 26,000 lumens, the SolaFrame 2000 sports output suitable for larger performance applications. The fixture offers pure white, gorgeous colors and a large complement of effects. Available in Ultra-Bright and High CRI versions, the SolaFrame 2000 offers complete creative freedom and unprecedented control.

SolaFrame 2000 includes two rotating gobo wheels, two fully retractable Animation wheels, two rotating prisms, iris and light frost, a fixed color wheel plus CMY + CTO color mixing. Specially designed long throw optics allow sharp focus throughout the entirety of the 8° to 45° zoom range, making the fixture perfect for use on large scale shows.

Applications

- Arenas and stadiums
- Concert halls and performing arts centers
- Film and television broadcast studios
- Megachurches and houses of worship
- Events and Tradeshows

Product Features

- White LED Engine
- 600 W Ultra-Bright engine producing 20,000 field lumens or a High CRI Engine featuring incredibly accurate color rendering
- Full framing shutter system
- CMY/CTO - Linear color mixing system
- Six plus open position replaceable color wheel with optional TM-30 Filter
- Iris and Light Frost
- Rotating Prism
- Seven position plus open interchangeable Gobo Wheel
- Six position plus open Rotating Gobo Wheel
- Animation Strip
- Patented Lens Defogger

ORDERING INFORMATION

SolaFrame 2000

Model	Description
H7010025-B	SolaFrame 2000 fixture, High CRI, black, with Molded Rubber Insert
H7010027-B	SolaFrame 2000 fixture, Ultra-Bright, black, with Molded Rubber Insert

Color Options: Fixtures ship standard in black. White available by request.
Included Accessories: Fixture includes two (2) Omega brackets, one (1) fixture power cord, bare ends to blue powerCON® input, and a safety cable.

Accessories

Model #	Description
7410B7037-A	Fixture Power Cord upgrade, Edison to powerCON
7410B7037-B	Fixture Power Cord upgrade, Stage Pin to powerCON
7410B7037-C	Fixture Power Cord upgrade, L620 to powerCON
67040007	MegaClaw™
55040014	Cheeseborough 2" Alloy 1/2 Coupler Truss Clamp
67040010	Mini-Claw™



PRODUCT SPECIFICATIONS

Source

Engine	Ultra-Bright	High CRI
LED Details	600 W	600 W
Integrating Sphere Lumens	26,000 lumens	20,000 lumens
LPW	43	34
LED Life	50,000 hours	50,000 hours
Native CCT	6,500 K	6,500 K
Transferable Light Engine	Yes	Yes

Color

Color Mixing	Cyan, magenta, yellow, CTO-linear
Color Temperature	Down to 2,800K
Color Wheel	Six (6) interchangeable dichroic chips plus open
Indigo Highlighters	Yes

Optical

Beam Angle Range	6°–46°
Gate Size	28 mm
Framing	Four-plane, full-curtain framing system with 90° module rotation
Pattern Projection	Rotating and indexable wheel with six (6) interchangeable patterns plus open Fixed wheel with seven (7) interchangeable patterns plus open
Animation	Linear bi-directional animation strip
Frost	Light diffusion
Prism	Three facet rotating prism
Iris	16 blade iris
Flicker Control/Hz Range	2.4 kHz

Control

Input Method	DMX (5-pin and 3-pin)
Protocols	DMX via RS-485
Modes (Footprint)	One (48)
RDM Functions	Yes
UI Type	Full color graphical UI with 6 button navigational control
Local Control	Yes
Dimming Performance	16-bit, DMX controlled

Notes: All LED sources experience some lessening of light output and some color shift over time. LED output will vary with thermal conditions. Thermal conditions can be affected by ambient temperatures and orientation.

Electrical

Voltage Range	100–240 VAC 50–60 Hz
Input Method	powerCON
Wattage (Standard/+Defogger)	855 W / 890 W
Current (Max)	8.9 A @ 100 V
Inrush (first half-cycle)	120 V: 36.8 A 208 V: 53.6 A

Thermal

Ambient Operating Temp	-10°–45°C (14°–113°F)
Fan Mode	Three Modes: Standard, Continuous, Studio
Stationary Noise	38 dBA at full intensity (32 dBA background noise)
Lens Defogging	Patented Lens Defogger included

Physical

Pan and Tilt Range	540° pan, 265° tilt
Max Pan/Tilt Speed	360° in 3.17 s / 180° in 1.93 s
Materials	Steel and aluminum frame with molded plastic covers
Color Options	Black, white by request
Mounting Options	Any orientation
IP Rating	IP20
Weight	43.5 kg (96 lb)
Included Accessories	powerCON to bare end fixture tail Two (2) clamp brackets Safety cable

Warranty

Fixture Warranty	Two (2) year for complete fixture Five (5) year for light engine
Warranty Details	highend.com/warranty

Regulatory & Compliance

Regulatory Standards	Listed to UL 1573 Certified to CSA STD. C22.2 No: 166 EAC
CE compliance declared to these standards	Safety: EN 60598-1, EN 60598-2-17, EN 62031, EN 62471 EMC: EN 55015, EN 61547, EN 61000-3-2, EN 6100-3-3
Complies to the ROHS directive	Yes

Safety

Safety	Minimum distance to illuminated surface = 1.0 m (3.3 ft) Minimum distance from fixture head to combustible materials = 1.0 m (3.3 ft)
--------	--

OPTICAL INFORMATION

Fixed Gobo Details

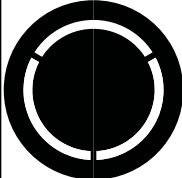
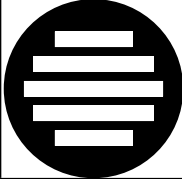
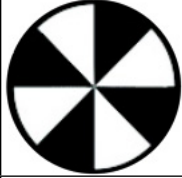
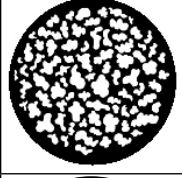
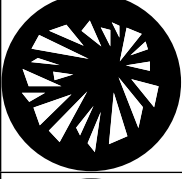
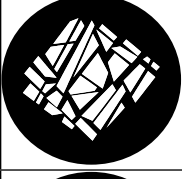
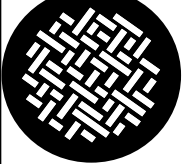
Outside Diameter	34 mm (1.34 in)
Image Diameter	27 mm (1.06 in)
Materials	0.5 mm aluminum

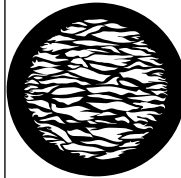

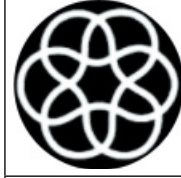
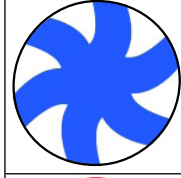
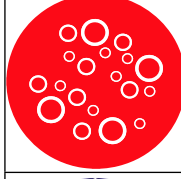

Rotating Gobo Details







Outside Diameter	30 mm (1.18 in)
Image Diameter	24 mm (0.95 in)
Materials	0.5 mm aluminum 1.25 mm glass Borofloat®

Color Wheel Details

Shape	Interchangeable wedge
Materials	1.1 mm glass Borofloat

	1 - Tunnel
	2 - Bars
	3 - Fan
	4 - Breakup
	5 - Burst
	6 - Fracture
	7 - Crosshatch

	1 - Animation
	2 - Rip Wheel
	3 - Curved Lines
	4 - Technowedge
	5 - Rings
	6 - Psydye

	1 - Red
	2 - Blue
	3 - Green
	4 - Orange
	5 -Purple
	6- Dark Blue

PHOTOMETRIC INFORMATION

SolaFrame 2000 - Ultra-Bright

	Degree	Candela	Field Lumens	Power Usage	Lumens Per Watt
Narrow	6	774,800	9,600	600	16
Wide	46	70,500	26,000	600	43.3

Narrow - 6°

Throw Distance	10 ft 3.0 m	20 ft 6.1 m	30 ft 9.1 m	50 ft 15.2 m	200 ft 61 m
Field Diameter	1.0 ft 0.32 m	2.1 ft 0.64 m	3.1 ft 0.96 m	5.2 ft 1.6 m	21.0 ft 6.39 m
Illuminance (fc)	7,748	1,937	861	310	20
Illuminance (lux)	83,360	20,840	9,262	3,334	208

Wide - 46°

Throw Distance	10 ft 3.0 m	20 ft 6.1 m	30 ft 9.1 m	50 ft 15.2 m	200 ft 61 m
Field Diameter	8.5 ft 2.59 m	17.0 ft 5.18 m	25.5 ft 7.77 m	42.4 ft 12.94 m	169.8 ft 51.76 m
Illuminance (fc)	705	177	79	29	2
Illuminance (lux)	7,585	1,896	843	303	19

SolaFrame 2000 - High CRI

	Degree	Candela	Field Lumens	Power Usage	Lumens Per Watt
Narrow	6	593,900	7,400	600	13
Wide	46	67,400	20,000	600	33.3

Narrow - 6°

Throw Distance	10 ft 3.0 m	20 ft 6.1 m	30 ft 9.1 m	50 ft 15.2 m	200 ft 61 m
Field Diameter	1.0 ft 0.32 m	2.1 ft 0.64 m	3.1 ft 0.96 m	5.2 ft 1.6 m	21.0 ft 6.39 m
Illuminance (fc)	7,250	1,813	806	290	18
Illuminance (lux)	63,900	15,975	7,100	2,556	160

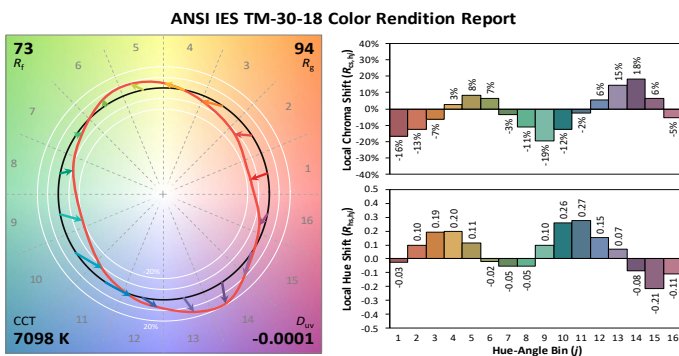
Wide - 46°

Throw Distance	10 ft 3.0 m	20 ft 6.1 m	30 ft 9.1 m	50 ft 15.2 m	200 ft 61 m
Field Diameter	8.5 ft 2.59 m	17.0 ft 5.18 m	25.5 ft 7.77 m	42.4 ft 12.94 m	169.8 ft 51.76 m
Illuminance (fc)	674	169	75	27	2
Illuminance (lux)	5,939	1,485	660	238	15

To determine center beam illumination in footcandles at any throw distance, divide candela by the throw distance squared.

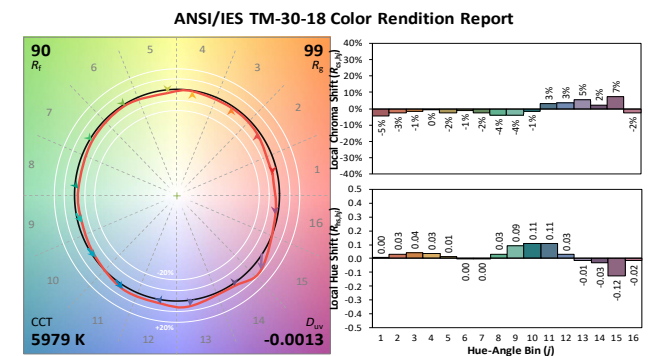
Metric conversions: For meters, multiply feet by 0.3048.
For lux, multiply footcandles by 10.76.

Ultra-Bright - Spectral Data



Additional Color Metrics	
CRI R_a (R_g)	70 (-34)
TLCI	45

High CRI - Spectral Data



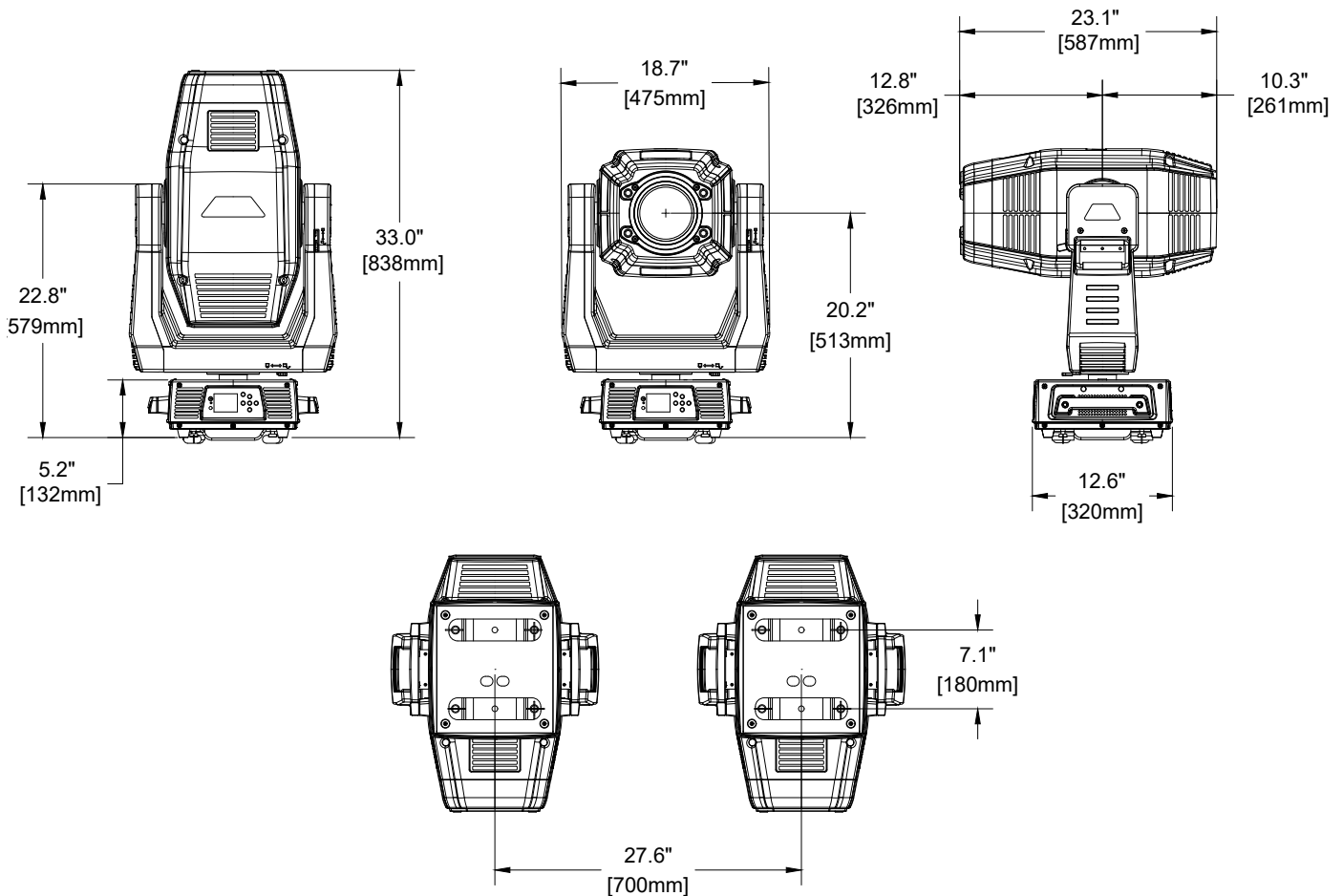
Additional Color Metrics	
CRI R_a (R_g)	90 (73)
TLCI	93

PHYSICAL INFORMATION

SolaFrame 2000 Dimensions

Model	Height		Width		Depth		Weight	
	in	mm	in	mm	in	mm	lb	kg
SolaFrame 2000*	33	838	18.7	475	12.6	320	96	43.5
SolaFrame 2000 in Roadcase	39.5	1004	21.9	555	26.6	676	187	85

*Does not include mounting hardware



SolaFrame 2000 Power Table

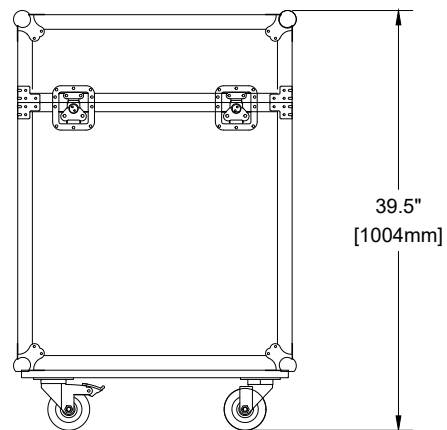
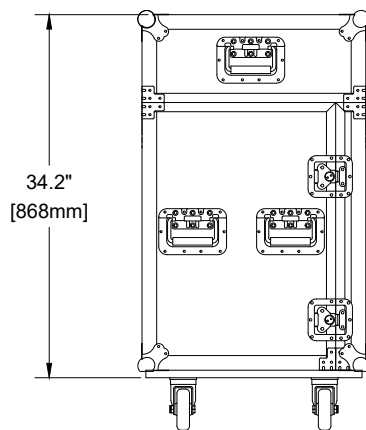
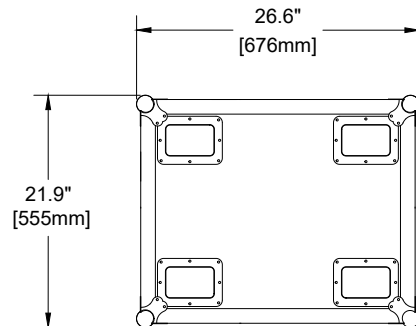
VAC	Amps	Hz	Watts	VA	PF
100	8.9	50	890	896	0.99
120	7.2	60	864	873	0.99
200	4.3	50	860	883	0.96
208	4.1	60	853	862	0.97
220	3.9	50	858	869	0.96
230	3.8	50	874	883	0.96
240	3.6	60	864	870	0.96

ADDITIONAL ORDERING INFORMATION

Additional Accessories

Model	Description
80560062	Optional TM-30 filter (not installed)
H7500001	Extra Omega clamp brackets
12040001	Galvanized safety cable w/ spring snap

Roadcase Dimensions (Single Mode)



Corporate Headquarters • Middleton, WI USA

Global Offices • London, UK • Rome, IT • Holzkirchen, DE • Paris, FR • Hong Kong
Dubai, UAE • Singapore • New York, NY • Orlando, FL • Los Angeles, CA • Austin, TX

Copyright©2021 ETC. All Rights Reserved. All product information and specifications subject to change. Rev B 2021-09

*Trademark and patent info: etconnect.com/IE

etconnect.com