

SolaPix 7 Luminaire DMX Maps

Base Module		Flex/Macro Module		Pixel Module			
Channel	Function	Channel	Function	Channel	Function	Channel	Function
1/2	Pan	1	Flex/Macro Mode	1	Pixel 1 - Red	17	Pixel 5 - Red
3/4	Tilt	2	Flex/Macro Speed	2	Pixel 1 - Green	18	Pixel 5 - Green
5	Color Mode	3	Flex/Macro Crossfade	3	Pixel 1 - Blue	19	Pixel 5 - Blue
6	Red	4	Flex/Macro Strobe Mode	4	Pixel 1 - White	20	Pixel 5 - White
7	Green	5	Flex/Macro Strobe	5	Pixel 2 - Red	21	Pixel 6 - Red
8	Blue	6	Flex/Macro 1 - Red	6	Pixel 2 - Green	22	Pixel 6 - Green
9	White	7	Flex/Macro 1 - Green	7	Pixel 2 - Blue	23	Pixel 6 - Blue
10	Color Correction	8	Flex/Macro 1 - Blue	8	Pixel 2 - White	24	Pixel 6 - White
11	Section Selection	9	Flex/Macro 1 - White	9	Pixel 3 - Red	25	Pixel 7 - Red
12	Module Priority	10	Flex/Macro 2 - Red	10	Pixel 3 - Green	26	Pixel 7 - Green
13/14	Zoom	11	Flex/Macro 2 - Green	11	Pixel 3 - Blue	27	Pixel 7 - Blue
15	Strobe Mode	12	Flex/Macro 2 - Blue	12	Pixel 3 - White	28	Pixel 7 - White
16	Strobe	13	Flex/Macro 2 - White	13	Pixel 4 - Red		
17/18	Dimmer	14	Flex/Macro 3 - Red	14	Pixel 4 - Green		
19	mSpeed	15	Flex/Macro 3 - Green	15	Pixel 4 - Blue		
20	Fan Speed	16	Flex/Macro 3 - Blue	16	Pixel 4 - White		
21	Control	17	Flex/Macro 3 - White				

Notes

Due to the modular control and individual module addressing of the SolaPix 7, there are six recommended library layouts.

We suggest that console libraries follow these guidelines:

1. Base Module
2. Flex Module
3. Pixel Module
4. Base + Flex + Pixel Modules
 - a. Base Control is on the master fixture number.
 - b. Flex/Macro Mode, Flex/Macro Speed, and Flex/Macro Crossfade (Flex addresses 1-3) should all be included on the master fixture number.
 - c. Pixel Modules should start with Pixel 1 as the .1 address.
 - d. Flex/Macros 1 through 3 (Flex addresses 4-15) should be compound addresses .8, .9, .10.
 - e. Flex/Macro and Pixel RGBW control options utilize virtual console dimming when available. The dimmer control in the Base Module is a master over all output including Base, Flex, and Pixel Modules.
5. Base + Flex Modules
 - a. Base Control is on the master fixture number.
 - b. Flex/Macro Mode, Flex/Macro Speed, and Flex/Macro Crossfade (Flex addresses 1-3) should all be included on the master fixture number.
 - c. Flex/Macros 1 through 3 (Flex addresses 4-15) should be compound addresses .1, .2, .3.
 - d. Flex/Macro RGBW control options utilize virtual console dimming when available. The dimmer control in the Base Module is a master over all output including Base and Flex Modules.
6. Base + Pixel Modules
 - a. Base Control is on the master fixture number.
 - b. Pixel Modules should start with Pixel 1 as the .1 address.
 - c. Pixel RGBW control options utilize virtual console dimming when available. The dimmer control in the Base Module is a master over all output including Base and Pixel Modules.

Base Module

Channel	Function	Function Range	Decimal Low	Decimal High	% Low	% High	Controller Default	Unit	Range Low	Range High
1/2	Pan	0° to 540°	0	65535	0%	100%	32512	°	-270	270
3/4	Tilt	0° to 270°	0	65535	0%	100%	32512	°	-135	135
5	Color Mode	RGB	0	15	0.00%	5.88%	0	N/A	N/A	N/A
		RBG	16	31	6.27%	12.16%				
		BRG	32	47	12.55%	18.43%				
		BGR	48	63	18.82%	24.71%				
		GRB	64	79	25.10%	30.98%				
		GBR	80	95	31.37%	37.25%				
		CMY	96	111	37.65%	43.53%				
		CYM	112	127	43.92%	49.80%				
		YCM	128	143	50.20%	56.08%				
		YMC	144	159	56.47%	62.35%				
		MCY	160	175	62.75%	68.63%				
		MYC	176	191	69.02%	74.90%				
		Cycle	192	207	75.29%	81.18%				
		Random	208	223	81.57%	87.45%				
		Reserved	224	255	87.84%	100.00%				
6	Red	Off to full	0	255	0%	100%	255	%	0	100
7	Green	Off to full	0	255	0%	100%	255	%	0	100
8	Blue	Off to full	0	255	0%	100%	255	%	0	100
9	White	Off to full	0	255	0%	100%	255	%	0	100
10	Color Correction	Off	0	0	0%	0%	0	%	0	100
		Warm to cool	1	255	0%	100%				

Base Module

Channel	Function	Function Range	Decimal Low	Decimal High	% Low	% High	Controller Default	Unit	Range Low	Range High
11	Section Selection	All pixels	0	2	0.00%	0.78%	0	N/A	N/A	N/A
		Center	3	4	1.18%	1.57%				
		Ring 1	5	6	1.96%	2.35%				
		NA - Ring 2*	7	8	2.75%	3.14%				
		NA - Ring 3 *	9	10	3.53%	3.92%				
		Center & ring 1	11	12	4.31%	4.71%				
		Center & ring 2	13	14	5.10%	5.49%				
		Center & ring 3	15	16	5.88%	6.27%				
		Ring 1 & 2	17	18	6.67%	7.06%				
		Ring 1 & 3	19	20	7.45%	7.84%				
		NA - Ring 2 & 3*	21	22	8.24%	8.63%				
		Center, ring 1, & ring 2	23	24	9.02%	9.41%				
		Ring 1, ring 2, & ring 3	25	26	9.80%	10.20%				
		Center, ring 2, & ring 3	27	28	10.59%	10.98%				
		Center, ring 1, & ring 3	29	30	11.37%	11.76%				
		Sector 1	31	32	12.16%	12.55%				
		Sector 2	33	34	12.94%	13.33%				
		Sector 3	35	36	13.73%	14.12%				
		Sector 4	37	38	14.51%	14.90%				
		Sector 5	39	40	15.29%	15.69%				
		Sector 6	41	42	16.08%	16.47%				
		Sector 1 & 4	43	44	16.86%	17.25%				
		Sector 1, 4, & center	45	46	17.65%	18.04%				
		Sector 2 & 5	47	48	18.43%	18.82%				
		Sector 2, 5, & center	49	50	19.22%	19.61%				
		Sector 3 & 6	51	52	20.00%	20.39%				
		Sector 3, 6, & center	53	54	20.78%	21.18%				
		Sector 1, 3, & 5	55	56	21.57%	21.96%				
		Sector 1, 3, 5 & center	57	58	22.35%	22.75%				
		Sector 2, 4, & 6	59	60	23.14%	23.53%				
Sector 2, 4, 6 & center	61	62	23.92%	24.31%						
Sector 1, 2, & 3	63	64	24.71%	25.10%						
Sector 2, 3, & 4	65	66	25.49%	25.88%						
Sector 3, 4, & 5	67	68	26.27%	26.67%						
Sector 4, 5, & 6	69	70	27.06%	27.45%						
Sector 1, 5, & 6	71	72	27.84%	28.24%						
Sector 1, 2, & 6	73	74	28.63%	29.02%						
Reserved	75	255	29.41%	100.00%						
* Note: Placeholder. The complete image is not available on the SolaPix 7. This image is blank to preserve the alignment of the rest of the sector selection options with other fixtures in the SolaPix family.										
12	Module Priority	Pixel over Flex/Macro over base	0	7	0%	3%	8	N/A	N/A	N/A
		Flex/Macro over pixel over base	8	15	3%	6%				
		Pixel over base	16	23	6%	9%				
		Flex/Macro over base	24	31	9%	12%				
		Base	32	39	13%	15%				
		Reserved	40	255	16%	100%				
Note: In all pixel modes, each pixel must be set at RGB 0% in order for the lower priority control to take effect.										
13/14	Zoom	Narrow to wide	0	65535	0%	100%	0	°	XX	XX

Base Module

Channel	Function	Function Range	Decimal Low	Decimal High	% Low	% High	Controller Default	Unit	Range Low	Range High
15	Strobe Mode	Off	0	15	0%	6%	0	N/A	N/A	N/A
		Synchronous	16	31	6%	12%				
		Random	32	47	13%	18%				
		Random pixel	48	63	19%	25%				
		Random pixel/color	64	79	25%	31%				
		Synchronous random	80	95	31%	37%				
		Reserved	96	255	38%	100%				
16	Strobe	Off	0	23	0%	9%	255	N/A	N/A	N/A
		Slow to fast	24	229	9%	90%				
		Open	230	255	90%	100%				
17/18	Dimmer	Off to full	0	65535	0%	100%	0	%	0	100
19	mSpeed	Off	0	3	0%	1%	0	s	252.7	0.15
		Slow to fast	4	255	2%	100%				
20	Fan Speed	Idle	0	9	0%	4%	0	N/A	N/A	N/A
		Slow to fast	10	215	4%	84%				
		Auto	216	225	85%	88%				
		Studio	226	235	89%	92%				
		Reserved	236	255	93%	100%				
Note: To change "Idle" or "Slow to fast" ranges (0-100%), you can use a fader or go directly to the target range value. To change "Auto" or "Studio" ranges, you must start at value 0 and go directly to the target range value. After a pause of approximately 3 seconds, the action occurs.										
21	Control	Disable	0	9	0%	4%	0	N/A	N/A	N/A
		Reserved	10	19	4%	7%				
		Display off	20	28	8%	11%				
		Display on	29	35	11%	14%				
		Reserved	36	48	14%	19%				
		Home all	49	68	19%	27%				
		Shutdown	69	75	27%	29%				
		Red shift off	76	85	30%	33%				
		Red shift on	86	95	34%	37%				
		LED PWM 2.4KHz	96	105	38%	41%				
		LED PWM 16KHz	106	115	42%	45%				
		Independent Base Intensity	116	125	45%	49%				
		Master Base Intensity	126	135	49%	53%				
		Reserved	136	255	53%	100%				
Note: To change a "Control" range, you must start at value 0 and go directly to the target range value. After a pause of approximately 3 seconds, the action occurs.										

Flex/Macro Module

Channel	Function	Function Range	Decimal Low	Decimal High	% Low	% High	Controller Default	Unit	Range Low	Range High
1	Flex/Macro Mode	Off	0	0	0%	0%	0	N/A	N/A	N/A
		Macro 1	1	1	0%	0%				
		Macro 2	2	2	1%	1%				
		Macro 3	3	3	1%	1%				
		...	-	-	-	-				
		Macro 99	99	99	39%	39%				
		Reserved	100	255	39%	100%				
2	Flex/Macro Speed	Reverse, fast to slow	0	126	0%	49%	192	%	-100	100
		Stop	127	128	50%	50%				
		Forward, slow to fast	129	255	51%	100%				
3	Flex/Macro Crossfade	Stop to fast	0	255	0%	100%	128	%	0	100
4	Strobe Mode	Off	0	15	0%	6%	0	N/A	N/A	N/A
		Synchronous	16	31	6%	12%				
		Random	32	47	13%	18%				
		Synchronous random	48	63	19%	25%				
		Reserved	64	255	25%	100%				
5	Strobe	Off	0	23	0%	9%	255	Hz	0.8	31.25
		Slow to fast	24	229	9%	90%				
		Open	230	255	90%	100%				
6	Flex/Macro 1 - Red	Off to full	0	255	0%	100%	255	%	0	100
7	Flex/Macro 1 - Green	Off to full	0	255	0%	100%	255	%	0	100
8	Flex/Macro 1 - Blue	Off to full	0	255	0%	100%	255	%	0	100
9	Flex/Macro 1 - White	Off to full	0	255	0%	100%	255	%	0	100
10	Flex/Macro 2 - Red	Off to full	0	255	0%	100%	255	%	0	100
11	Flex/Macro 2 - Green	Off to full	0	255	0%	100%	255	%	0	100
12	Flex/Macro 2 - Blue	Off to full	0	255	0%	100%	255	%	0	100
13	Flex/Macro 2 - White	Off to full	0	255	0%	100%	255	%	0	100
14	Flex/Macro 3 - Red	Off to full	0	255	0%	100%	255	%	0	100
15	Flex/Macro 3 - Green	Off to full	0	255	0%	100%	255	%	0	100
16	Flex/Macro 3 - Blue	Off to full	0	255	0%	100%	255	%	0	100
17	Flex/Macro 3 - White	Off to full	0	255	0%	100%	255	%	0	100

Pixel Module

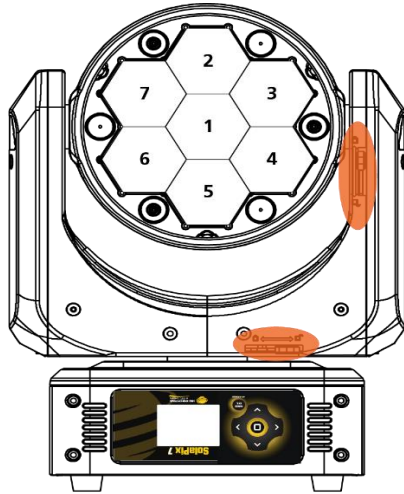
Channel	Function	Function Range	Decimal Low	Decimal High	% Low	% High	Controller Default	Unit	Range Low	Range High
1	Pixel 1 - Red	Off to full	0	255	0%	100%	255	%	0	100
2	Pixel 1 - Green	Off to full	0	255	0%	100%	255	%	0	100
3	Pixel 1 - Blue	Off to full	0	255	0%	100%	255	%	0	100
4	Pixel 1 - White	Off to full	0	255	0%	100%	255	%	0	100
5	Pixel 2 - Red	Off to full	0	255	0%	100%	255	%	0	100
6	Pixel 2 - Green	Off to full	0	255	0%	100%	255	%	0	100
7	Pixel 2 - Blue	Off to full	0	255	0%	100%	255	%	0	100
8	Pixel 2 - White	Off to full	0	255	0%	100%	255	%	0	100
9	Pixel 3 - Red	Off to full	0	255	0%	100%	255	%	0	100
10	Pixel 3 - Green	Off to full	0	255	0%	100%	255	%	0	100
11	Pixel 3 - Blue	Off to full	0	255	0%	100%	255	%	0	100
12	Pixel 3 - White	Off to full	0	255	0%	100%	255	%	0	100
13	Pixel 4 - Red	Off to full	0	255	0%	100%	255	%	0	100
14	Pixel 4 - Green	Off to full	0	255	0%	100%	255	%	0	100
15	Pixel 4 - Blue	Off to full	0	255	0%	100%	255	%	0	100
16	Pixel 4 - White	Off to full	0	255	0%	100%	255	%	0	100
17	Pixel 5 - Red	Off to full	0	255	0%	100%	255	%	0	100
18	Pixel 5 - Green	Off to full	0	255	0%	100%	255	%	0	100
19	Pixel 5 - Blue	Off to full	0	255	0%	100%	255	%	0	100
20	Pixel 5 - White	Off to full	0	255	0%	100%	255	%	0	100
21	Pixel 6 - Red	Off to full	0	255	0%	100%	255	%	0	100
22	Pixel 6 - Green	Off to full	0	255	0%	100%	255	%	0	100
23	Pixel 6 - Blue	Off to full	0	255	0%	100%	255	%	0	100
24	Pixel 6 - White	Off to full	0	255	0%	100%	255	%	0	100
25	Pixel 7 - Red	Off to full	0	255	0%	100%	255	%	0	100
26	Pixel 7 - Green	Off to full	0	255	0%	100%	255	%	0	100
27	Pixel 7 - Blue	Off to full	0	255	0%	100%	255	%	0	100
28	Pixel 7 - White	Off to full	0	255	0%	100%	255	%	0	100

mSpeed (in seconds)

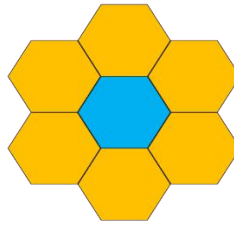
DMX	Time	DMX	Time	DMX	Time	DMX	Time	DMX	Time
0	mSpeed Off	52	165.33	104	91.55	156	39.44	208	9
1	mSpeed Off	53	163.71	105	90.34	157	38.65	209	8.63
2	mSpeed Off	54	162.1	106	89.14	158	37.87	210	8.27
3	mSpeed Off	55	160.49	107	87.95	159	37.09	211	7.91
4	252.69	56	158.89	108	86.77	160	36.33	212	7.56
5	250.68	57	157.3	109	85.59	161	35.57	213	7.22
6	248.68	58	155.71	110	84.43	162	34.82	214	6.89
7	246.69	59	154.14	111	83.27	163	34.08	215	6.56
8	244.7	60	152.57	112	82.12	164	33.34	216	6.25
9	242.73	61	151.01	113	80.98	165	32.62	217	5.94
10	240.76	62	149.46	114	79.84	166	31.9	218	5.64
11	238.8	63	147.92	115	78.72	167	31.19	219	5.34
12	236.85	64	146.38	116	77.6	168	30.49	220	5.06
13	234.9	65	144.86	117	76.49	169	29.8	221	4.78
14	232.97	66	143.34	118	75.38	170	29.11	222	4.52
15	231.04	67	141.82	119	74.29	171	28.43	223	4.25
16	229.12	68	140.32	120	73.2	172	27.76	224	4
17	227.21	69	138.83	121	72.13	173	27.1	225	3.76
18	225.3	70	137.34	122	71.06	174	26.45	226	3.52
19	223.41	71	135.86	123	69.99	175	25.8	227	3.29
20	221.52	72	134.39	124	68.94	176	25.17	228	3.07
21	219.64	73	132.93	125	67.89	177	24.54	229	2.86
22	217.77	74	131.47	126	66.85	178	23.92	230	2.66
23	215.9	75	130.02	127	65.82	179	23.3	231	2.46
24	214.05	76	128.59	128	64.8	180	22.7	232	2.27
25	212.2	77	127.15	129	63.79	181	22.1	233	2.09
26	210.36	78	125.73	130	62.78	182	21.51	234	1.92
27	208.53	79	124.32	131	61.78	183	20.93	235	1.75
28	206.7	80	122.91	132	60.79	184	20.36	236	1.6
29	204.89	81	121.51	133	59.81	185	19.79	237	1.45
30	203.08	82	120.12	134	58.84	186	19.23	238	1.31
31	201.28	83	118.74	135	57.87	187	18.69	239	1.18
32	199.49	84	117.36	136	56.91	188	18.14	240	1.05
33	197.7	85	115.99	137	55.96	189	17.61	241	0.94
34	195.93	86	114.64	138	55.02	190	17.09	242	0.83
35	194.16	87	113.28	139	54.09	191	16.57	243	0.73
36	192.4	88	111.94	140	53.16	192	16.06	244	0.64
37	190.65	89	110.61	141	52.24	193	15.56	245	0.55
38	188.9	90	109.28	142	51.33	194	15.07	246	0.47
39	187.17	91	107.96	143	50.43	195	14.58	247	0.41
40	185.44	92	106.65	144	49.54	196	14.1	248	0.35
41	183.72	93	105.35	145	48.65	197	13.63	249	0.29
42	182.01	94	104.05	146	47.77	198	13.17	250	0.25
43	180.31	95	102.77	147	46.9	199	12.72	251	0.21
44	178.61	96	101.49	148	46.04	200	12.28	252	0.19
45	176.92	97	100.22	149	45.19	201	11.84	253	0.17
46	175.24	98	98.95	150	44.34	202	11.41	254	0.15
47	173.57	99	97.7	151	43.51	203	10.99	255	0.15
48	171.91	100	96.45	152	42.68	204	10.58		
49	170.25	101	95.21	153	41.85	205	10.17		
50	168.61	102	93.98	154	41.04	206	9.77		
51	166.97	103	92.76	155	40.23	207	9.39		

Notes

1. Face Layout: Pan = 128 DMX; Tilt = 40 DMX
 (Note how the fixture head is oriented in relation to the pan and tilt locks.)



Pixels



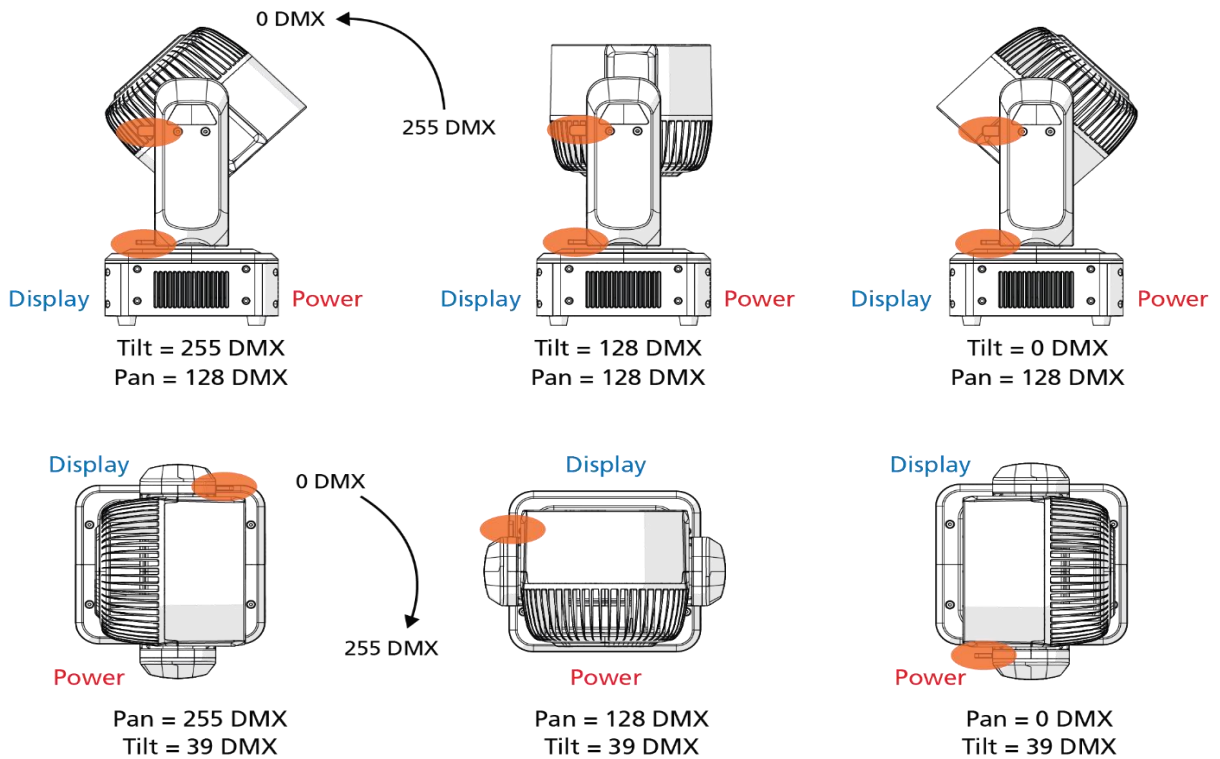
Rings



Sectors



2. DMX Fixture Orientation
 Tilt Movement Range: 270°
 Pan Movement Range: 540°
 Pan and tilt lock locations are highlighted in orange.



3. RDM Manufacturer ID: 0x4c52
 RDM Device ID (Base): 0x587
 RDM Device ID (Flex/Macro): 0x588
 RDM Device ID (Pixel): 0x589

Revision History

Revision	Date	Changes
C	Mar-2020	Added 5 - Color Mode to the Base Module. Added 4 - Strobe Mode and 5 - Strobe to the Flex/Macro Module. Added DMX Fixture Orientation graphic to the Notes. Added Independent Base Intensity and Master Base Intensity to the Control channel.
B	Nov-2019	On page 1, changed "Macro" to "Flex/Macro" and changed "Zone Selection" to "Section Selection". In the Flex Module table, changed "Zone" to "Flex/Module". Updated the Base Module table to include Ring 3 information. Updated the graphic in the Notes to add a graphic of the fixture and remove Pixel numbers from the Ring and Sector graphics.
A	Oct-2019	Initial release