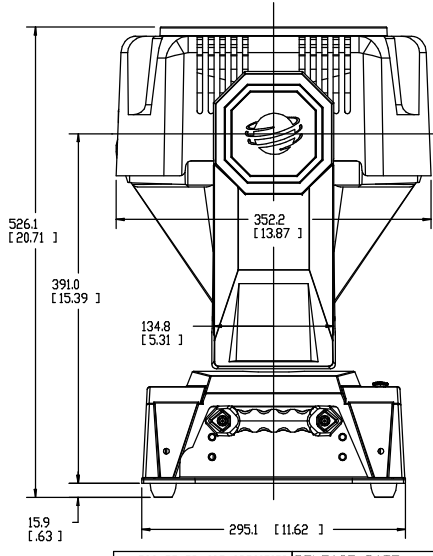
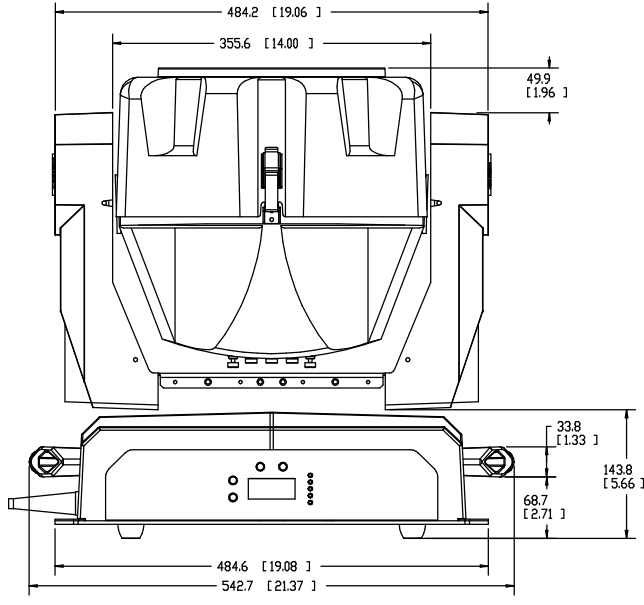
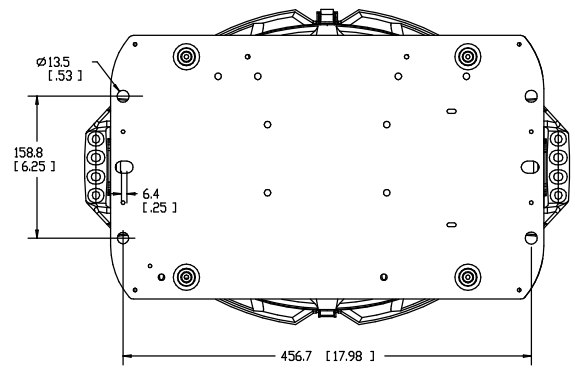
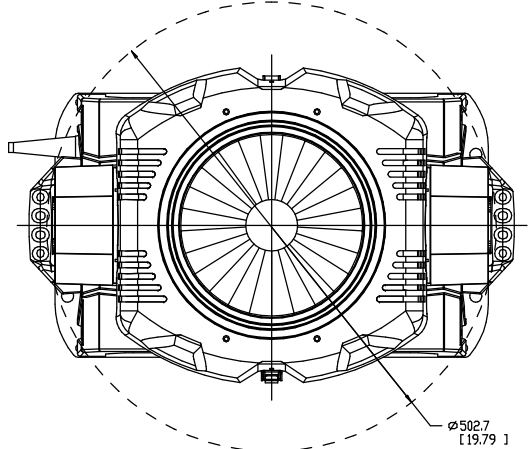


KSA001

REV.	DESCRIPTION	DATE	ENG	ECD #	APPR
1	CREATE DRAWING	31OCT05			



ANCILLARY DRAWING

UNLESS OTHERWISE SPECIFIED		RELEASE DATE:	CE:	<b>High End</b>  2105 GRACY FARMS LANE AUSTIN, TEXAS 78758 (512) 836-2242 FAX (512) 836-4128 ***** <a href="http://www.highend.com">http://www.highend.com</a>	 <b>LIGHTWAVE RESEARCH</b>
DIMENSIONAL TOLERANCES:		ENG:	QA:		
0 PLACE DECIMAL = ±0.38		ME:			
1 PLACE DECIMAL = ±0.25		MFG:	DRW: LARRY R		
2 PLACE DECIMALS = ±0.13		DESCRIPTION:			
ANGLES = ±0.5°		ASSY, TOP LEVEL FIXTURE S-CMD			
FOR PAINTED PARTS REFER TO		MATERIAL:			
ENG. SPEC. MANUAL VI-0592		CHARTED			
MIN. DRAFT		FINISH:			
MIN. RADII		NA			
FLATNESS		INTERPRET DIMENSIONS PER			
THICKNESS		ASME Y14.5M-1994			
VOLUME		THIRD ANGLE PROJECTION			
		DIMENSIONS ARE IN MILLIMETERS			
		 PART NO. NA	DRAWING NO. KSA001_2D	REV 1	
		DO NOT SCALE	SCALE: 1.000	SHEET: 1 OF 1	

**PROPRIETARY NOTICE:**  
 THIS DOCUMENT CONTAINS CONFIDENTIAL AND PROPRIETARY INFORMATION OF HIGH END SYSTEMS INC., (ALSO DBA LIGHTWAVE RESEARCH) AND IS GIVEN TO THE RECEIVER IN CONFIDENCE. THE RECEIVER ACCEPTS AND AGREES THAT, EXCEPT AS AUTHORIZED BY HIGH END SYSTEMS, THE RECEIVER WILL NOT PERMIT THE USE OF THE DOCUMENT OR ANY COPY THEREOF OR THE INFORMATION THEREIN WILL NOT COPY OR PERMIT COPYING THE DOCUMENT WILL NOT DISCLOSE TO OTHERS EITHER THE DOCUMENT OR THE INFORMATION THEREIN, AND WILL, UPON COMPLETION OF THE NEED TO RETAIN THE DOCUMENT, OR UPON DEMAND, RETURN THE DOCUMENT WITHOUT RETAINING ANY OF THE INFORMATION CONTAINED THEREIN IN ANY FORM WHATSOEVER.