

MECHANICAL SPECIFICATIONS

FIXTURE

BOXED FOR SHIPPING

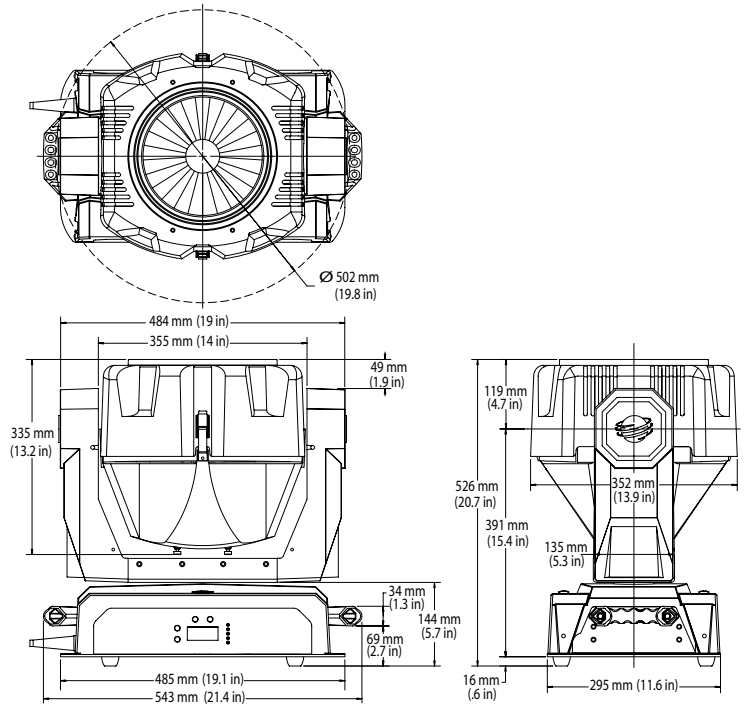
Dimensions:

mm: 352 x 544 x 526 470 x 660 x 635
 in: 13.9 x 21.4 x 20.7 18.5 x 26 x 25

Weight: 24.9 kg (55 lb) Weight: 29 kg (65lb)

Mounting Information: The Studio Command fixture can be truss mounted using suitable clamps with locking washers through the center holes on the fixture's base. Cheeseborough truss clamps and ½ inch nub/bold sets may be purchased separately. It can also stand upright on a stable surface.

Colors Available: Black



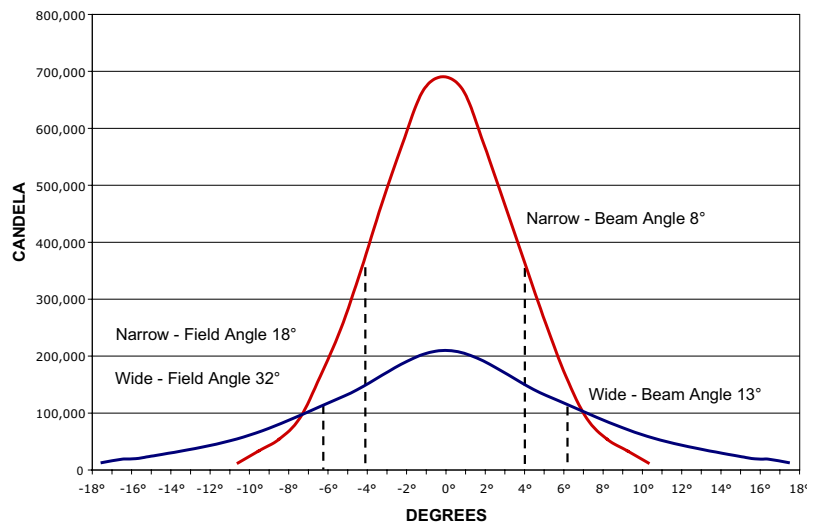
ELECTRICAL SPECIFICATIONS/ LIGHT SOURCE

Power Consumption: 200 V 50-60HZ @ 7.0 AMP
 230V 50-60HZ @ 6.1 AMP

Fixture Rated Power: 1400 WATTS

	Primary Lamp	Alternate Lamp
Lamp:	PHILIPS MSR1200	PHILIPS MSR1200/2
Luminous Flux	110,000 LUMENS	110,000 LUMENS
Arc Length	10 mm	10 mm
Color Temperature	5900K	7200K
Lamp Life 50%	800 hrs	800 hrs
CRI	95	85
CIE	X=.325; Y=.320	X=.302; Y=.320

Studio Command 1200 Luminous Output



OPERATION

Pan: 540°

Tilt: 240°

Field Angle: 18°–32°

Beam Angle: 8°–13°

Fixture Output: 15,000 Lumens

Environmental Specifications:

Maximum Ambient Temperature 50 C
 Minimum Distance to Flammable Objects 3.28 ft. (1 m)
 Maximum Exterior Surface Temperature 320 F (160 C)
 Minimum Distance to lighted object 6.56 ft (2 m)

Compliances: ETL, CE

DMX Channels

<u>Channel Offset</u>	<u>Function</u>
1	Pan Course
2	Pan Fine
3	Tilt Course
4	Tilt Fine
5	Color Function
6	Cyan
7	Magenta
8	Yellow
9	Zoom
10	Strobe
11	Dimmer
12	MSpeed
13	Macro
14	Control

Fixture/Universe: 32

Internal Preset Scene Memory: 32

PART NUMBERS

Fixture

78010003: Studio Command 1200W fixture, Black

Accessories

55030077: MSR 1200 Replacement Lamp (5900k)
55030047: MSR 1200/2 Alternate Lamp (7200k)
78040001: Gel Frame Holder