

MECHANICAL SPECIFICATIONS

FIXTURE

BOXED FOR SHIPPING

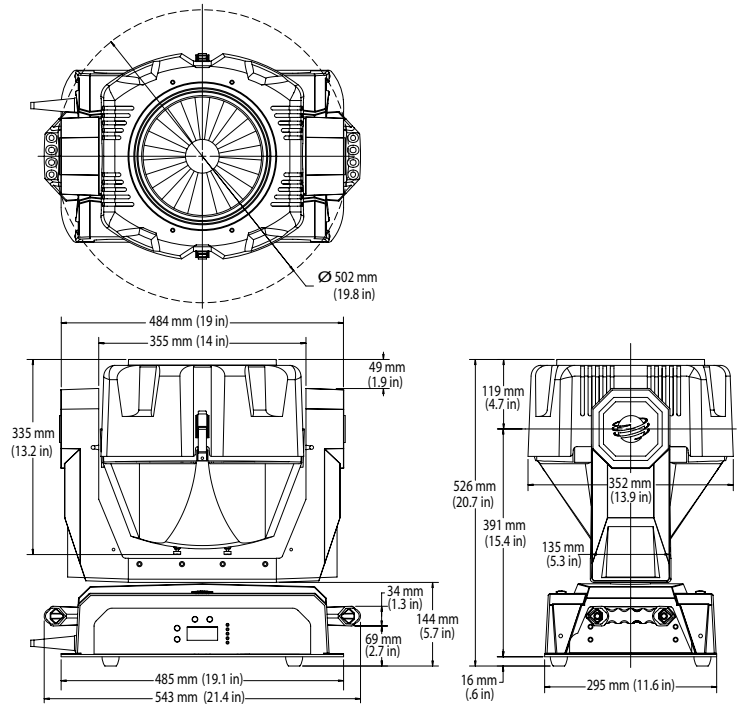
Dimensions:

mm: 352 x 543 x 526	686 x 648 x 527
in: 13.9 x 21.4 x 20.7	27.0 x 25.5 x 20.25

Weight: 21.7 kg (48 lb) **Weight:** 26.5 kg (58lb)

Mounting Information: The Studio Command fixture can be truss mounted using suitable clamps with locking washers through the center holes on the fixture's base. Cheeseborough truss clamps and ½ inch nub/bold sets may be purchased separately. It can also stand upright on a stable surface.

Colors Available: Black



ELECTRICAL SPECIFICATIONS/ LIGHT SOURCE

Power Consumption: 100V 12.0 AMP
 115V 10.4 AMP
 230V 5.2 AMP
 240V 5.0 AMP

Fixture Rated Power: 1200 WATTS MAX

Lamp: Philips 7002Y

Voltage: 100V, 115V, 230V, or 240V

Lumen Output: 29,000 lm

Color Temperature: 3200 K

Lamp Life: 250 hrs

OPERATION

Pan: 540°

Tilt: 240°

Field Angle: 18°–32°

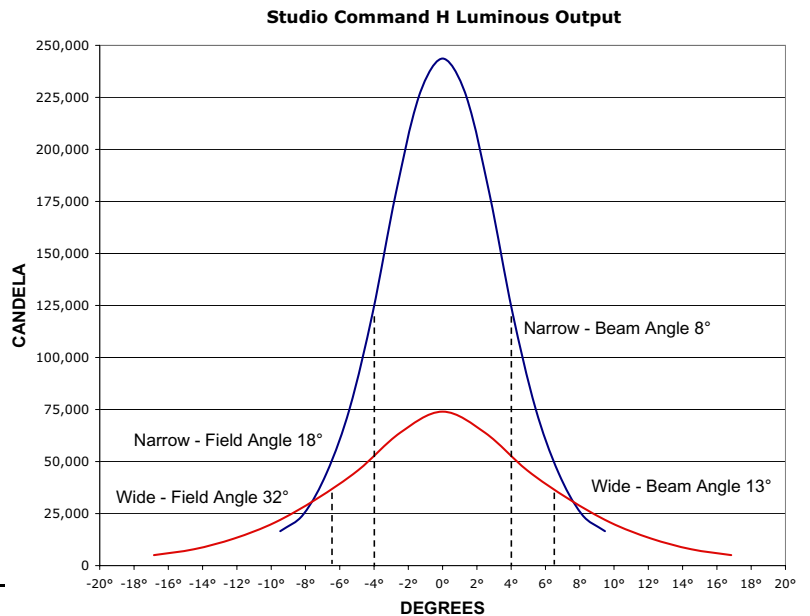
Beam Angle: 8°–13°

Fixture Output: 5500 Lumens

Environmental Specifications:

Maximum Ambient Temperature	50 C
Minimum Distance to Flammable Objects	3.28 ft. (1 m)
Maximum Exterior Surface Temperature	320 F (160 C)
Minimum Distance to lighted object	6.56 ft (2 m)

Compliances: ETL, CE



DMX Channels

<u>Channel Offset</u>	<u>Function</u>
1	Pan Course
2	Pan Fine
3	Tilt Course
4	Tilt Fine
5	Color Function
6	Cyan
7	Magenta
8	Yellow
9	Zoom
10	Strobe
11	MSpeed
12	Macro
13	Control

Fixture/Universe: 39

Internal Preset Scene Memory: 32

PART NUMBERS

Fixture

78010002: Studio Command-H fixture, Black

Accessories

55030078: 1000 W, 100 V Replacement Lamp
55030072: 1000 W, 115 V Replacement Lamp
55030071: 1000 W, 230 V Replacement Lamp
55030079: 1000 W, 240 V Replacement Lamp
78040001: Gel Frame Holder