

REVISION HISTORY				
SCH REV	PCB REV	ECO NO.	DATE	COMMENT
1.0	1.0		10/20/98	
1.0.1	1.0	8445	3/24/99	CHANGED U1 TO A PROGRAMMED PART

Copyright (c) 1994–1998 High End Systems, Inc. All rights reserved worldwide.

Lightwave Research, the Lightwave Research logo, High End Systems and the High End Systems logo are registered trademarks of High End Systems, Inc. Trademarks and trade names of others may be used in this document to refer to either such other entities or to their products. High End Systems Inc. disclaims any proprietary interest or connection to such marks or entities.

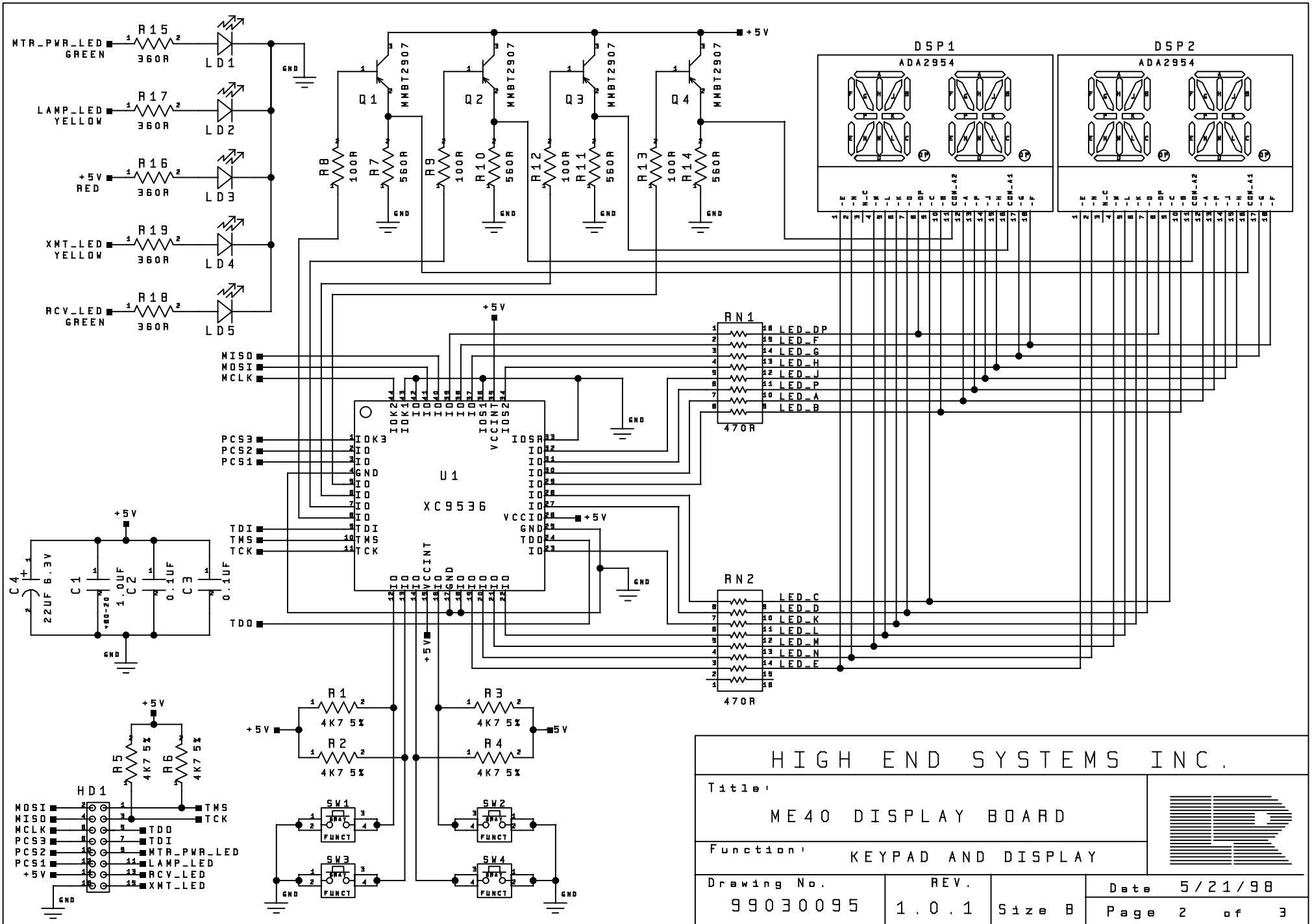
NOTES :

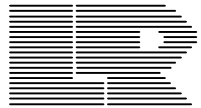
UNLESS OTHERWISE SPECIFIED:

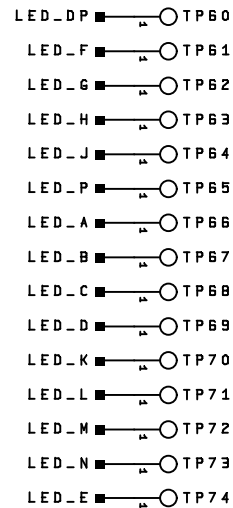
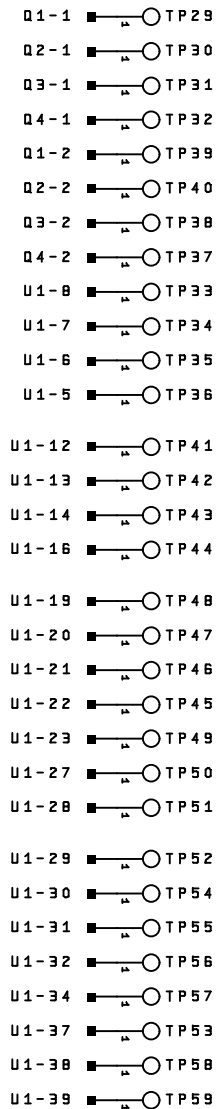
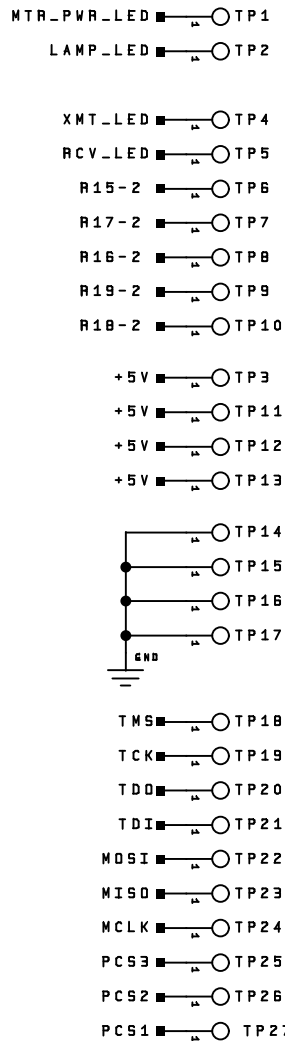
1. ALL RESISTOR VALUES ARE IN OHMS
2. ALL RESISTORS ARE 1/8 WATT 5% OR BETTER
3. CAPACITOR VALUES ARE IN PICO FARADS
4. ALL NON POLARIZED CAPACITORS ARE 50V OR BETTER  
VALUES BELOW 470pF ARE NPO/COG TYPE 5%  
VALUES 470pF TO 1000pF ARE X7R 10%  
VALUES ABOVE 1000pF ARE Z5U +/- 20 %
5. ALL POLARIZED CAPACITORS ARE 20% OR BETTER
6. ALL DIODES ARE 1N4148.

HIGH END SYSTEMS INC.			
Title:		STUDIO COLOR/SPOT 250 DISPLAY	
Function:		COVER SHEET	095R101
Drawing No.	REV.	Designed:	
99030095	1.0.1	TOM GRIMES	
Drawn:		Approved:	
TOM GRIMES			
Date	10-21-1999-16:10	Size	A2
Page	1	of	3





HIGH END SYSTEMS INC.			
Title:			
ME40 DISPLAY BOARD			
Function:			KEYPAD AND DISPLAY
Drawing No.	REV.	Size	Date
99030095	1.0.1	B	5/21/98
			Page 2 of 3



HIGH END SYSTEMS INC.			
Title:		ME40 DISPLAY BOARD	
Function:		TEST POINTS	
Drawing No.	REV.	Size	Date
99030095	1.0.1	B	5/21/98
		Page 3 of 3	

