

REVISION HISTORY

SCH REV	PCB REV	ECO NO.	DATE	COMMENT
1.0	1.0		7/17/97	PRODUCTION RELEASE
1.1	1.1		9/24/97	ECN
1.2	1.2		12-5-97	F1 AND F3 CHANGE
1.3	1.3	7559	1-8-98	CHANGED R141, BC20, BC21, C27, CA1, C91
1.3.1	1.3		1-22-98	CHANGED R132 FROM 20K TO 4.7K
1.3.2	1.3	7698	3-3-98	SEE ECN FOR CHANGES
1.3.4	1.3	7847	5-7-98	CHANGED R28, 29, 30, 104, 143, 144 FROM 200R TO 20R
1.3.5	1.3	8279	1-13-99	ADDED TRANSORB TO C14 AND OTHER ASSY DVG CHANGES
1.4	1.4		4-8-99	SEE ECN 8321 & 8456 FOR CHANGES
1.5	1.5	8660	8-4-99	SEE ECN 8660

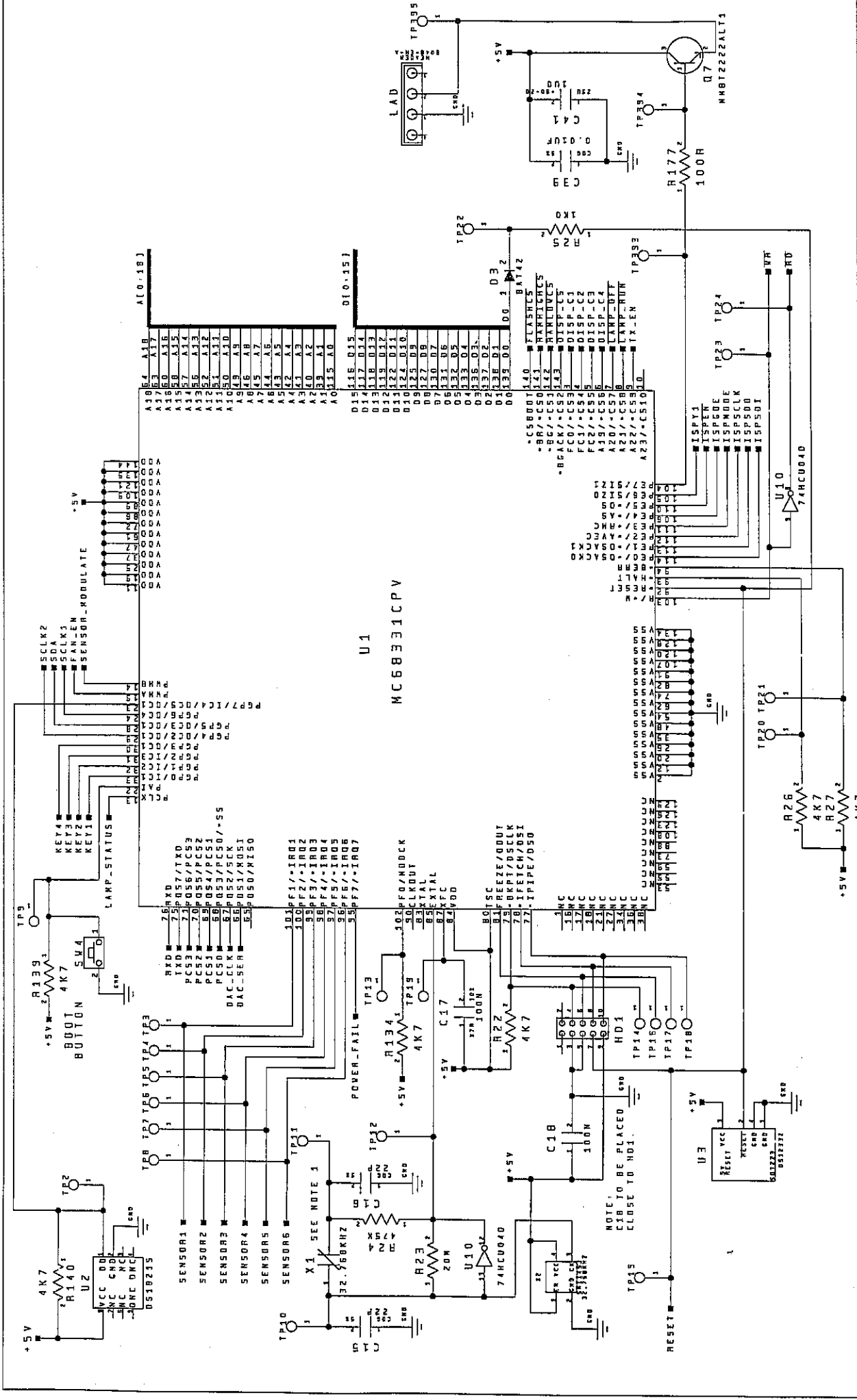
Copyright (c) 1994-1999 High End Systems, Inc. All rights reserved worldwide.

Technobeam, Lightwave Research, the Lightwave Research logo, High End Systems and the High End Systems logo are registered trademarks of High End Systems, Inc. Trademarks and trade names of others may be used in this document to refer to either such other entities or to their products. High End Systems Inc. disclaims any proprietary interest or connection to such marks or entities.

NOTES:

- UNLESS OTHERWISE SPECIFIED:
- ALL RESISTOR VALUES ARE IN OHMS
 - ALL RESISTORS ARE 1/8 WATT 5% OR BETTER
 - CAPACITOR VALUES ARE IN PICO FARADS
 - ALL NON POLARIZED CAPACITORS ARE 50V OR BETTER
VALUES BELOW 470PF ARE NP0/C0G TYPE 5%
VALUES 470PF TO 1000PF ARE X7R 10%
VALUES ABOVE 1000PF ARE Z5U +/- 20 %
 - ALL POLARIZED CAPACITORS ARE 20% OR BETTER
 - ALL DIODES ARE 1N4148.

HIGH END SYSTEMS INC.	
Title:	TECHNOBEAM
Function:	COVER SHEET 7915
Drawing No.	REV. Designated:
SCH-99030079	1.5
Drawn:	Approved:
DRAYER	TOM GRIMES
Date 8-4-1999-14:56	Size A2 Page 1 of 11



HIGH END SYSTEMS INC.

Title: TECHNOBEAM CPU

Function: THE BRAINS OF THE LIGHT

Drawing No. SCH-99030079

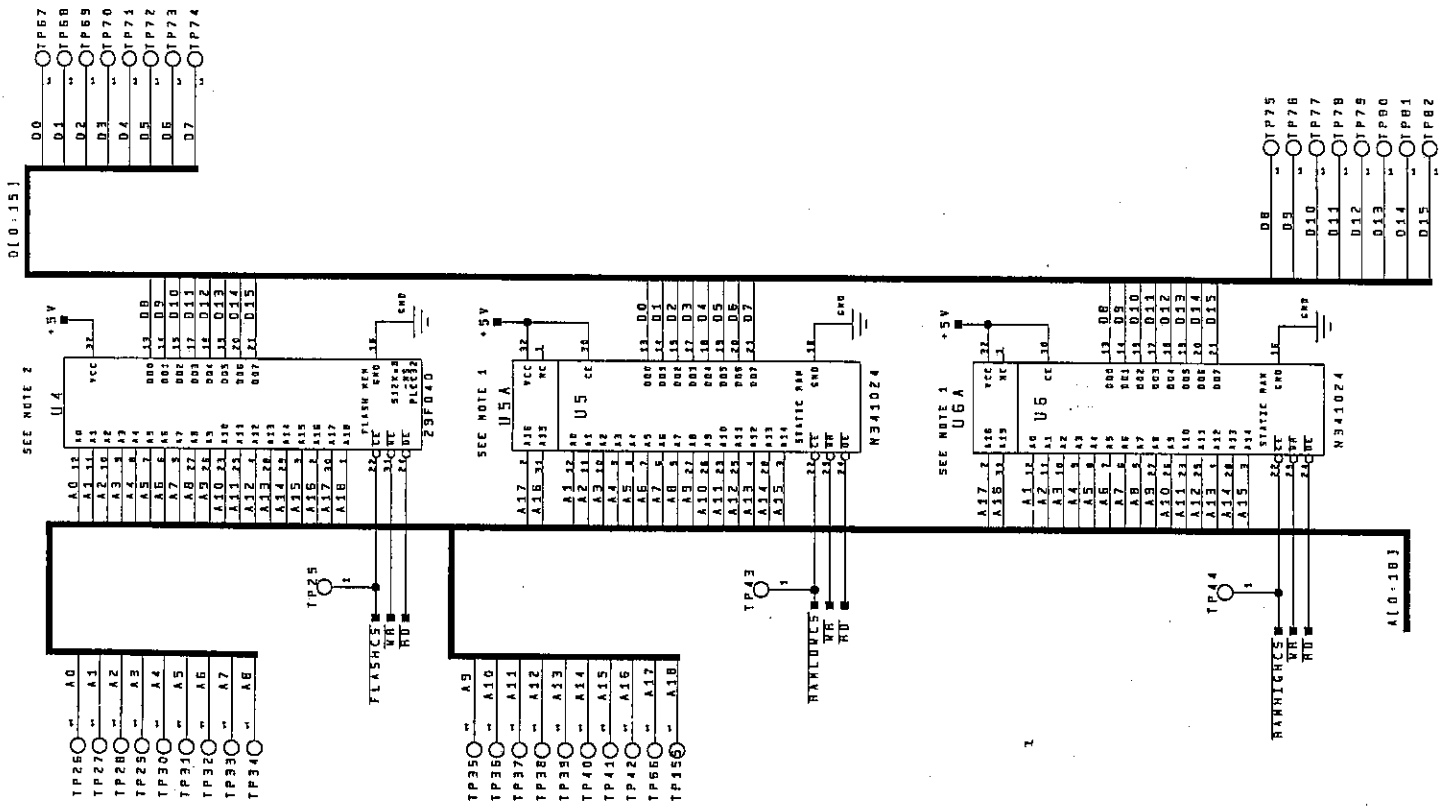
REV. 1.5

Size B

Date 8-4-1999-14.57

Page 2 of 11

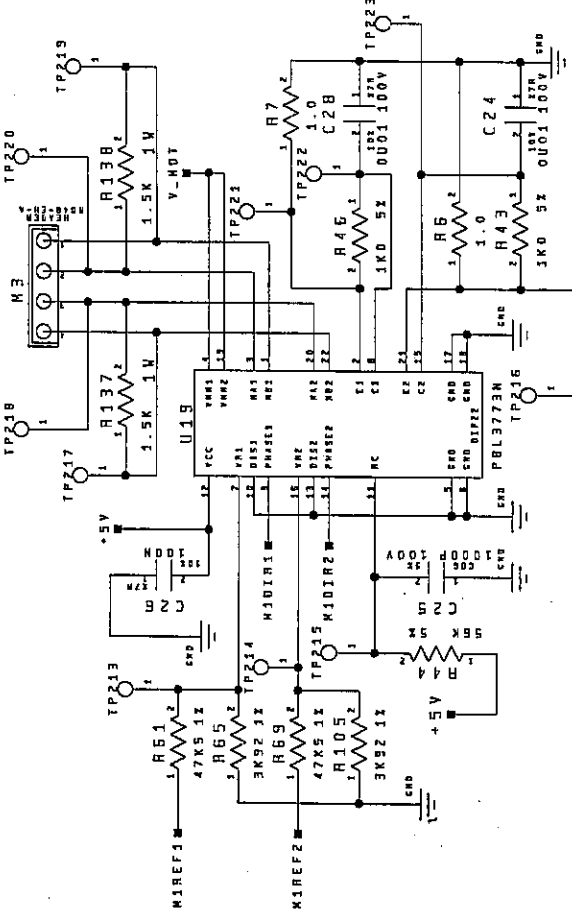
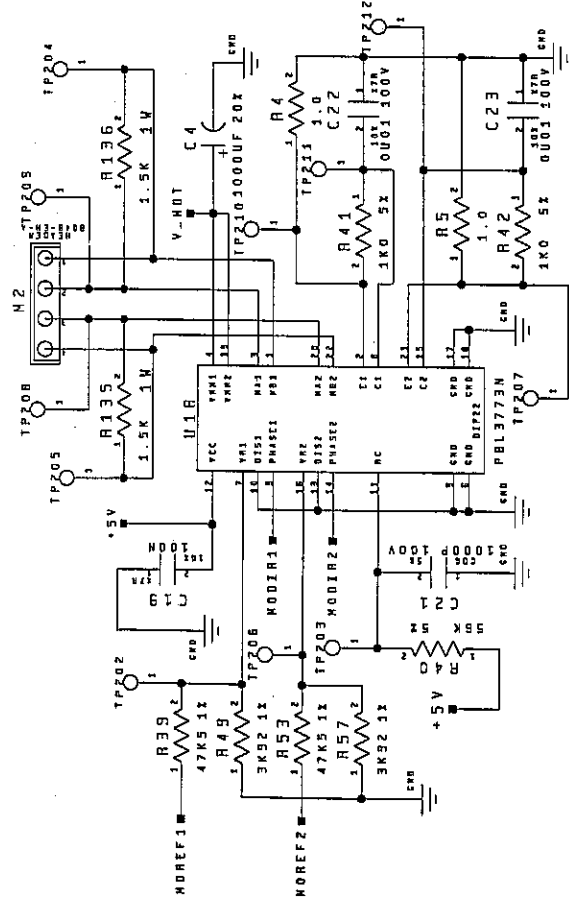
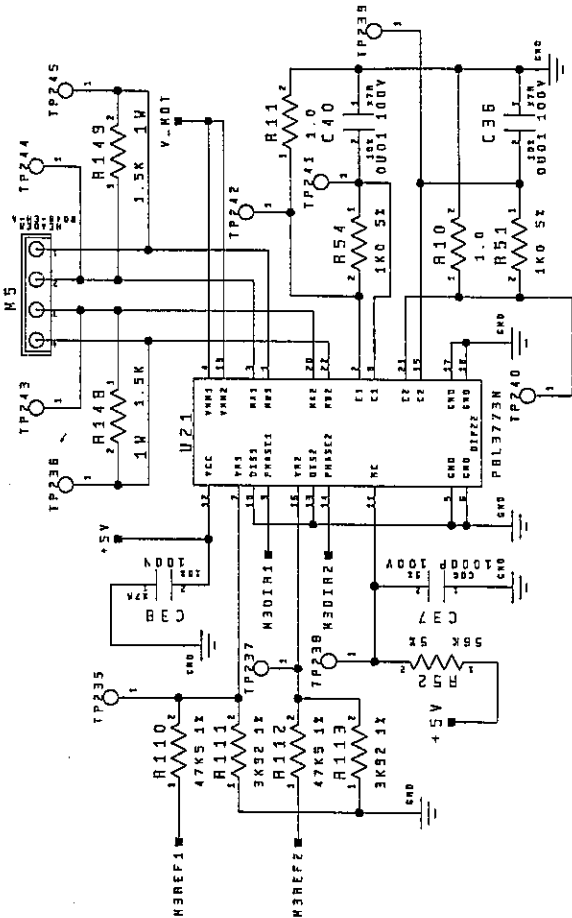
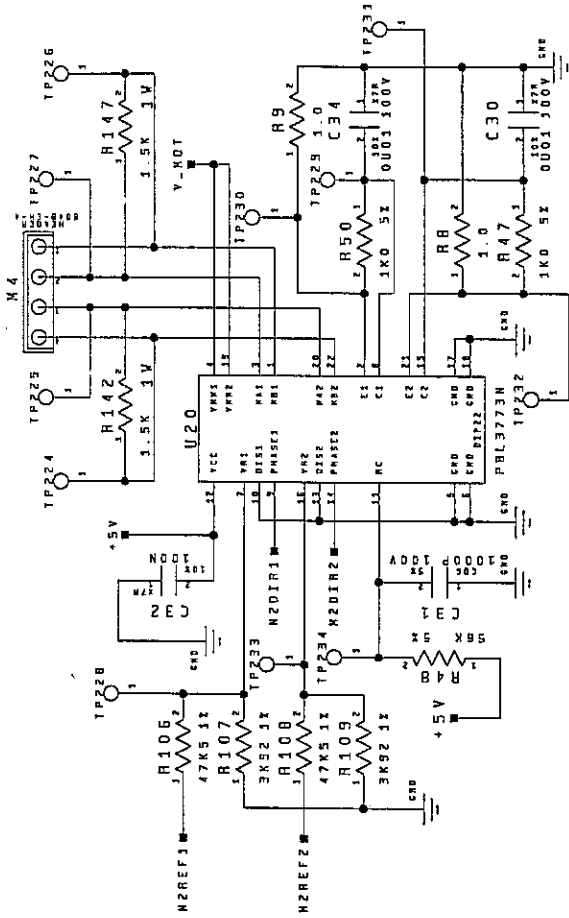
NOTES:
 1. STUFF X2 OR X1, R23, R24, C15, C16. DO NOT STUFF 80TH.



NOTES:

- U5A & U6A ARE 128Kx8 32 PIN DEVICES.
U5 & U6 ARE 32Kx8 28 PIN DEVICES.
SYMBOL FOR 32 PIN DEVICE SHOWN.
28 PIN DEVICE DOES NOT USE PINS 1, 2, 31, 32.
- U4 MAY BE EITHER A 512Kx8 OR 128Kx8.
128Kx8 DEVICE DOES NOT USE PINS 1 AND 30.
SYMBOL FOR 512Kx8 DEVICE SHOWN.

HIGH END SYSTEMS INC.	
Title: TECHNOBEAM	REV. MEMORY
Function: REMEMBER THINGS	REV. 1.5
Drawing No. 5CH-99030079	Size B 1.5
Date 8-4-1999	Page 3 of 11



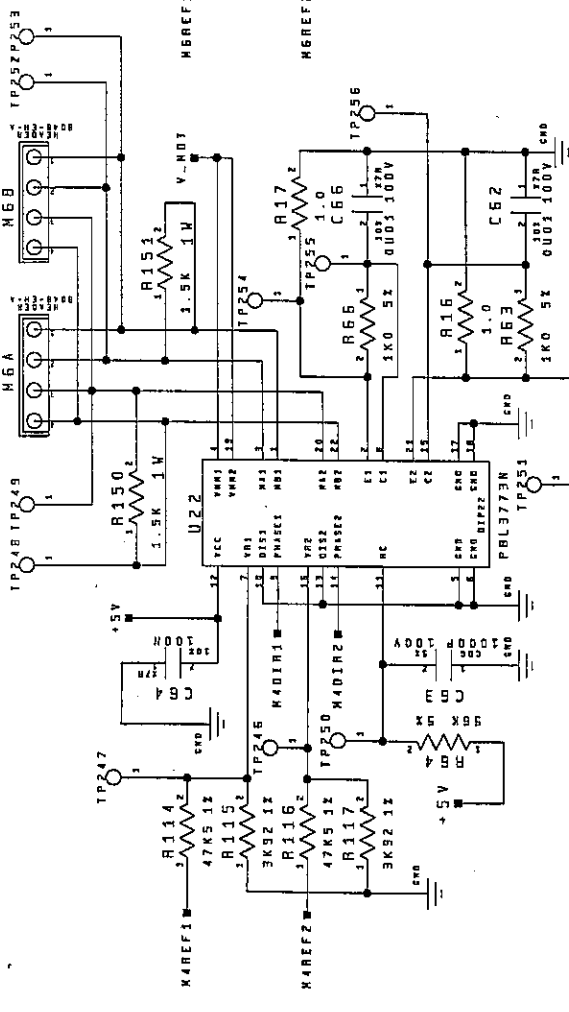
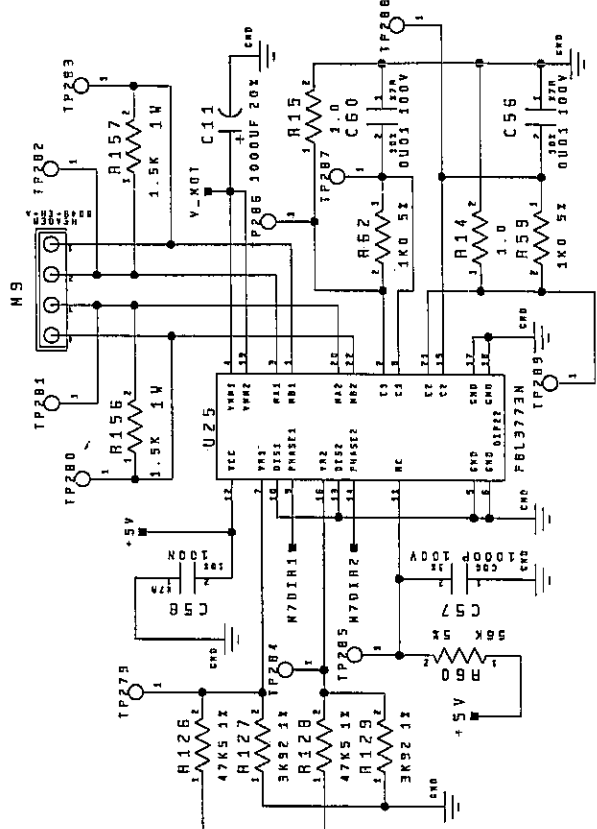
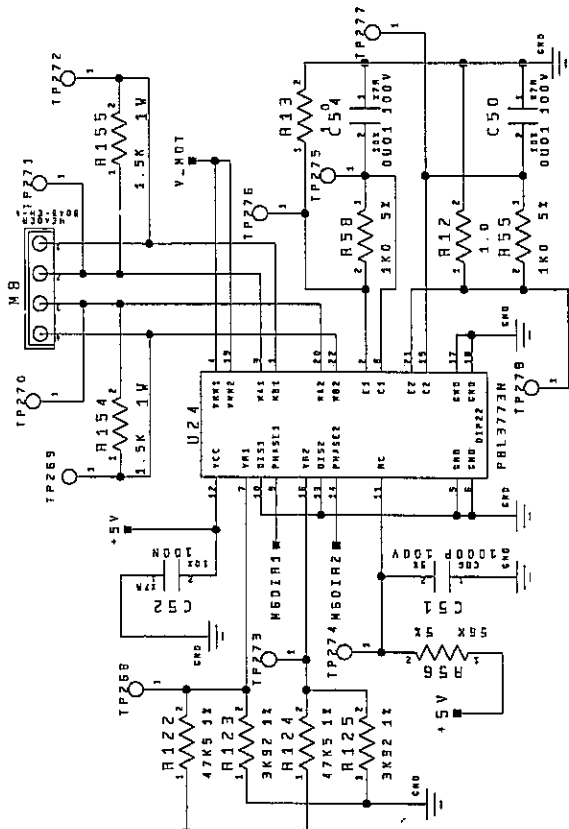
HIGH END SYSTEMS INC.

TECHNOBEAM
MOTOR DRIVERS

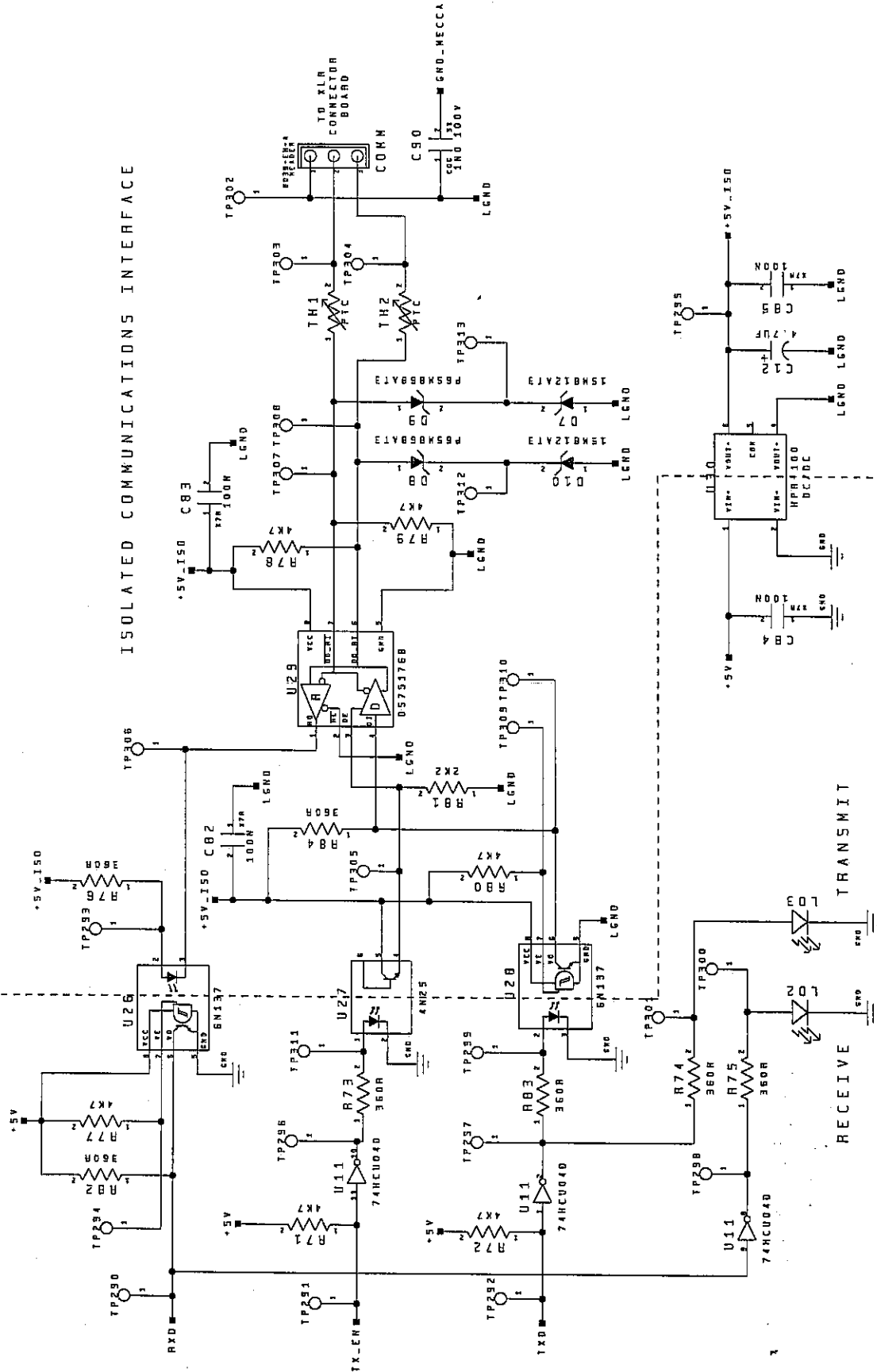
Function:
EFFECT .6080.6080 ROTATE & COLOR


Drawing No. REV. 1.5 Size 8 Date 8-4-1995-14.59

SCH-99030079 1.5 Size 8 Page 6 of 11

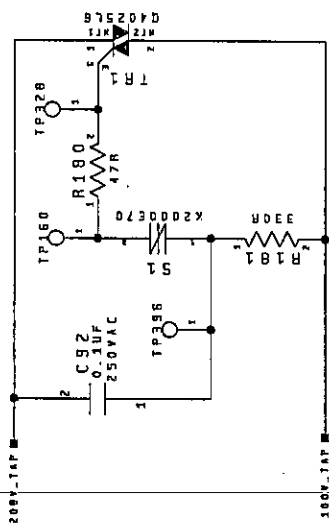
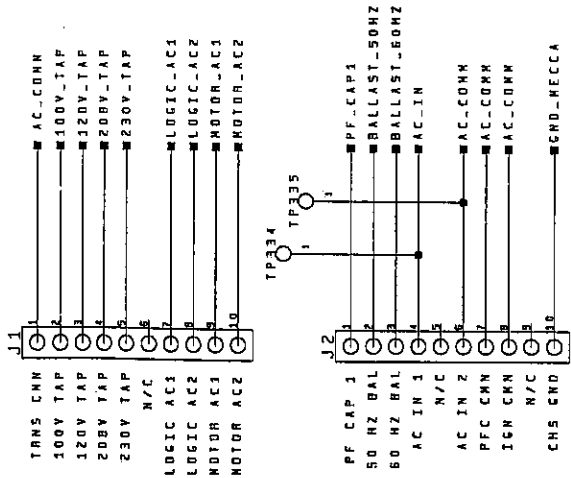


ISOLATED COMMUNICATIONS INTERFACE

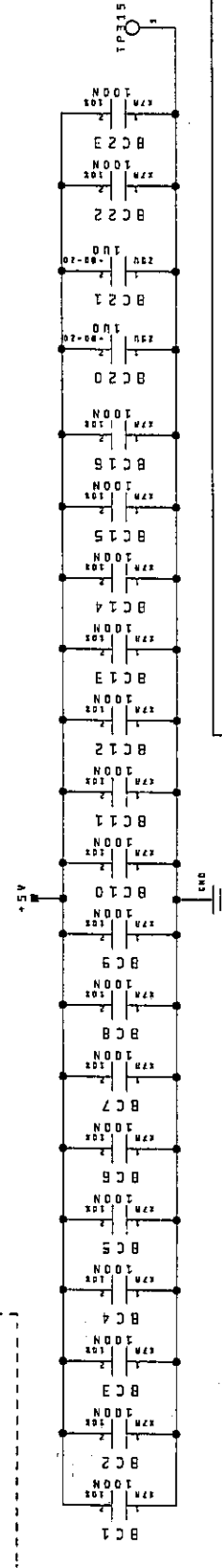
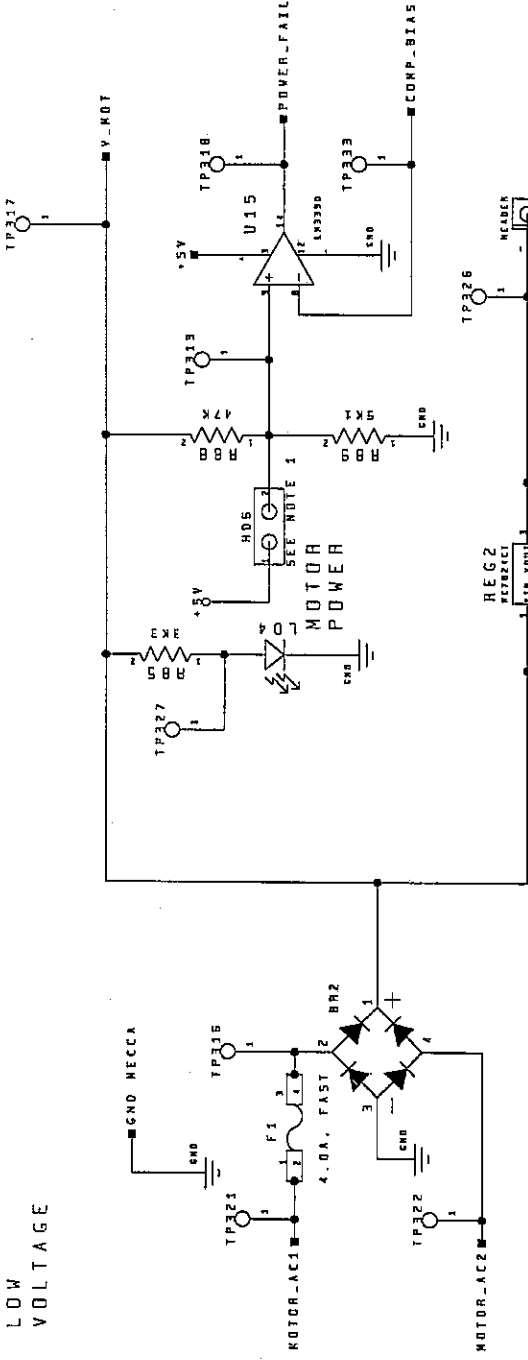


		Date 8-4-1999-14-58 Page 8 of 11
HIGH END SYSTEMS INC.		
Title: TECHNOBEAM		
ISOLATED POWER AND COMMUNICATION		
Function: TALK TO THE WORLD		
Drawing No. 5CH-99030079	REV. 1.5	Size B

HIGH VOLTAGE



LOW VOLTAGE



HIGH END SYSTEMS INC.
TECHNOBEAM
MOTOR AND LOGIC POWER SUPPLY
 Function: MAKE THINGS GO

Drawing No. SCH-99030079
 Date 8-6-1999.12.25
 Size B Page 9 of 11

NOTES:
 1. HD6 TO BE USED FOR DC AND TROUBLESHOOTING PURPOSES ONLY.

AC VOLTAGE SELECT

FREQUENCY	UPPER VOLTAGE RANGE	LOWER VOLTAGE RANGE
50Hz	230V	120V
	LOWER VOLT RANGE	100V
50Hz	208V	120V
	LOWER VOLT RANGE	100V

UP DOWN UP DOWN

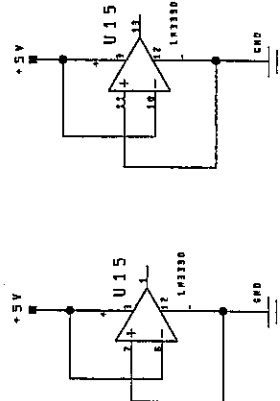
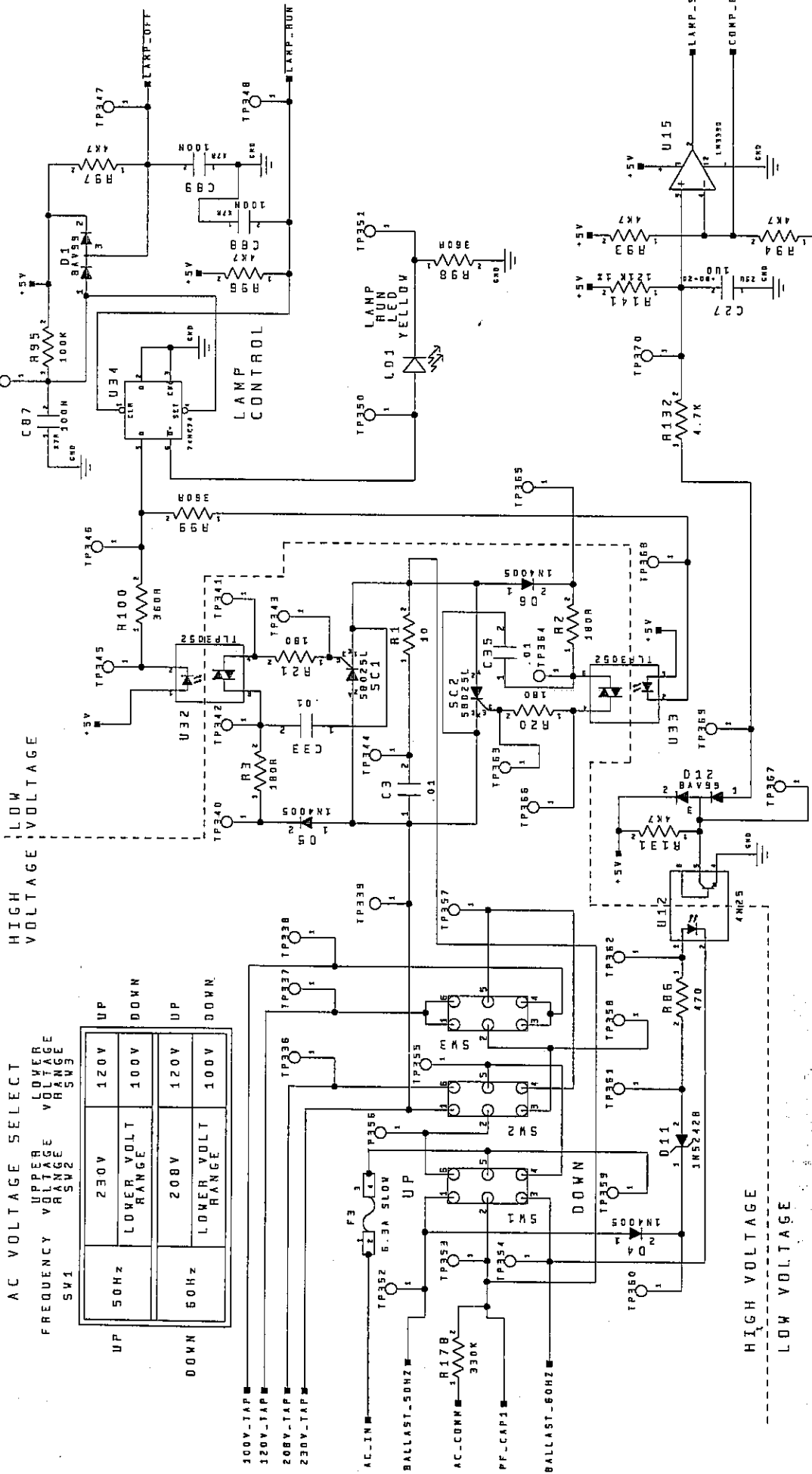
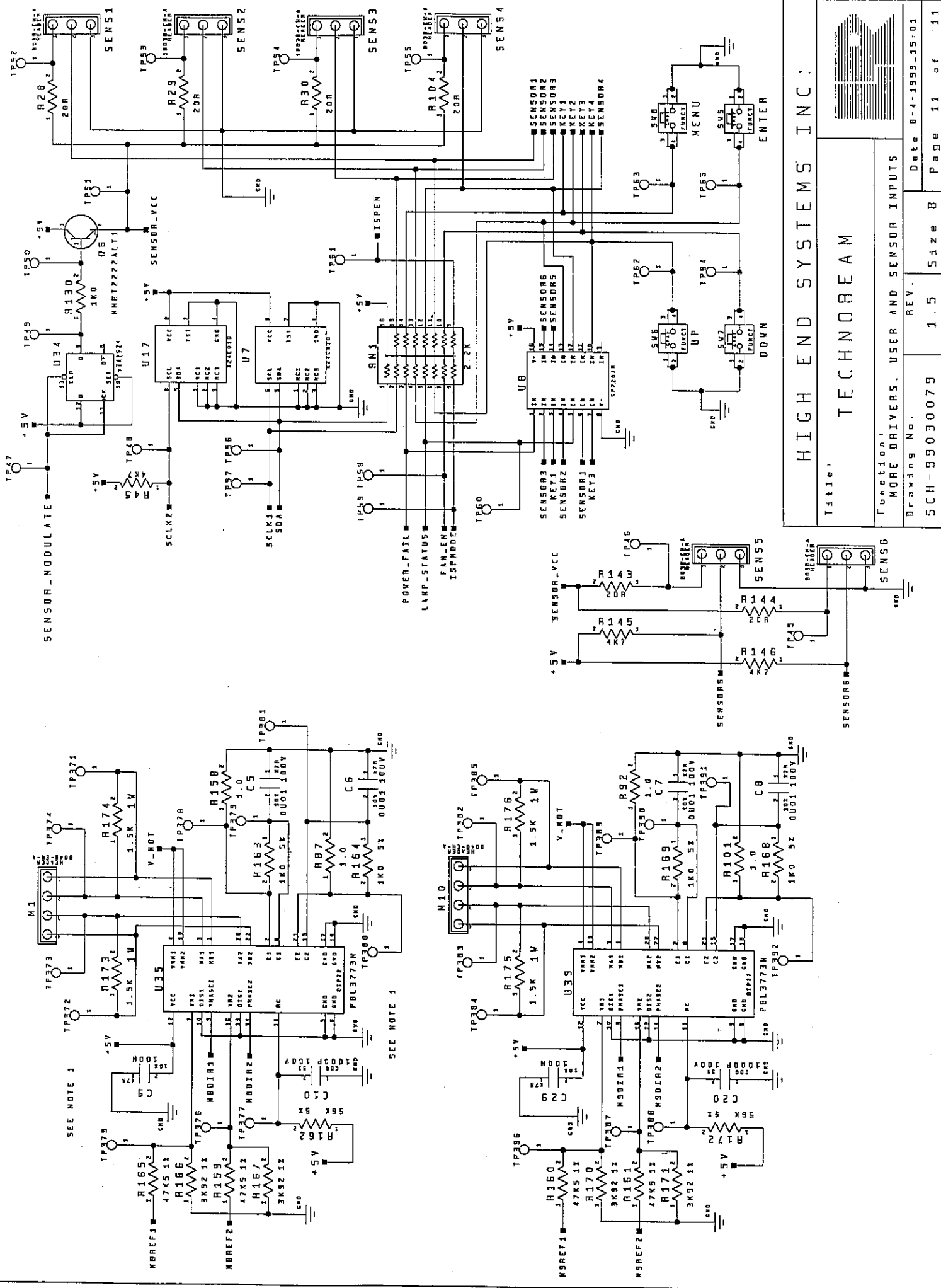


Table 1
TECHNOBEAM
 LAMP CONTROL

Function: LAMP ON/OFF AND RUN SENSING
 Drawing No.: REV.
 5CH-99030079 1.5 Size B Page 10 of 11





Title: HIGH END SYSTEMS INC.:
 TECHNOBEAM
 Function: MORE DRIVERS, USER AND SENSOR INPUTS
 Drawing No. SCH-99030079 REV. 1.5 Size B Page 11 of 11
 Date 8-4-1999-15:01