

REVISION HISTORY				
SCH REV	PCB REV	ECN#	DATE	COMMENT
1.0	1.0		07-17-97	PRODUCTION RELEASE
1.1	1.1		09-24-97	ECN
1.2	1.2		12-05-97	F1 and F3 CHANGE
1.3	1.3	7559	01-08-98	CHANGED R141, BC20, BC21, C27, C41, C91
1.3.1	1.3		01-22-98	CHANGED R132 FROM 20K TO 4.7K
1.3.3	1.3	7698	03-03-98	SEE ECN FOR CHANGES
1.3.4	1.3	7847	05-07-98	CHANGED R28, R29, R30, R104, R143, R144 FROM 200R TO 20R
1.3.5	1.3	8279	01-13-99	ADDED TRANSORB TO C14 AND OTHER ASSY DWG CHANGES
1.4	1.4		04-08-99	SEE ECN 8321 and 8456 FOR CHANGES
1.5	1.5	8660	08-04-99	SEE ECN 8660 FOR CHANGES
1.5.1	1.5	8835	10-26-99	DRILL DWG CHANGE
1.6	1.6		03-26-01	SEE ECN 532, 626 and 706 FOR CHANGES
1.6.1	1.6	1900	02-10-06	BOM CHANGE to DISPLAY STANDOFFS

TECHNOBEAM LOGIC

ASM: 80010112 REV: 1.6.1
PCB: 99030079 REV: 1.6

- 1) TITLE
- 2) CPU
- 3) MEMORY
- 4) USER INTERFACE
- 5) MOTOR CONTROL
- 6) MOTOR DRIVERS
- 7) MOTOR DRIVERS
- 8) MOTOR DRIVERS
- 9) MOTOR DRIVERS
- 10) ISOLATED POWER and COMMUNICATION
- 11) MOTOR and LOGIC POWER SUPPLY
- 12) LAMP CONTROL
- 13) MOTOR DRIVERS
- 14) USER and SENSOR INPUTS


Copyright (c) 1994-2005 High End Systems, Inc. All rights reserved worldwide.

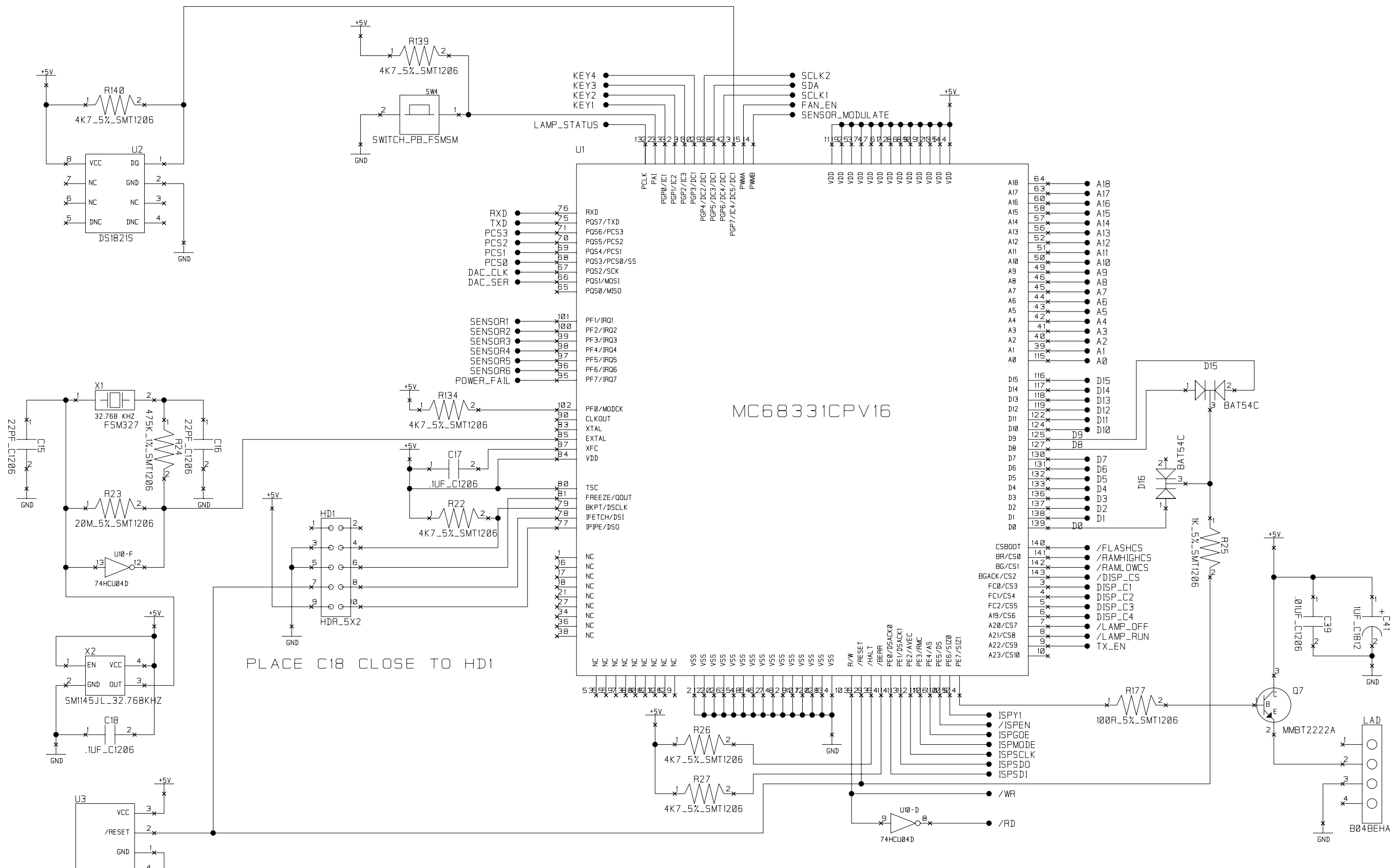
Technobeam, Lightwave Research, the Lightwave Research logo, High End Systems and the High End Systems logo are registered trademarks of High End Systems, Inc. Trademarks and trade names of others may be used in this document to refer to either such other entities or to their products. High End Systems Inc. disclaims any proprietary interest or connection to such marks or entities.

**PRODUCTION
PRINT**
High End Systems

2/14/2006


Issued By: Lee Fredrickson

HIGH END SYSTEMS INC.		2105 GRACY FARMS LANE AUSTIN, TX 78758			
DRAWN	K. Lowe	SIZE	FSCM NO.	DWG. NO.	REV.
ISSUED	02-10-06	B		80010112	1.6.1
SCALE				SHEET 1 of 14	



PLACE C18 CLOSE TO HD1

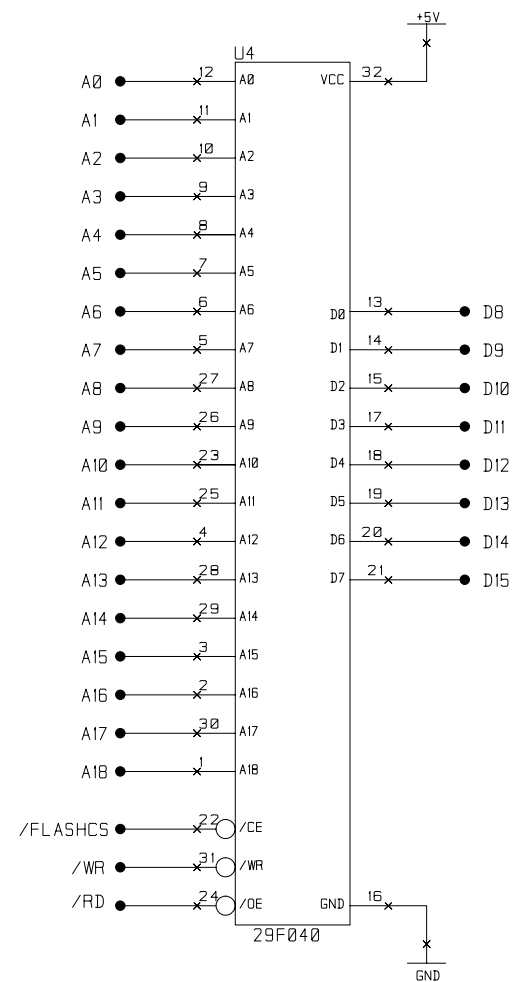
STUFF X2 OR X1, R23, R24, C15, C16
DO NOT STUFF BOTH

HIGH END SYSTEMS INC. 

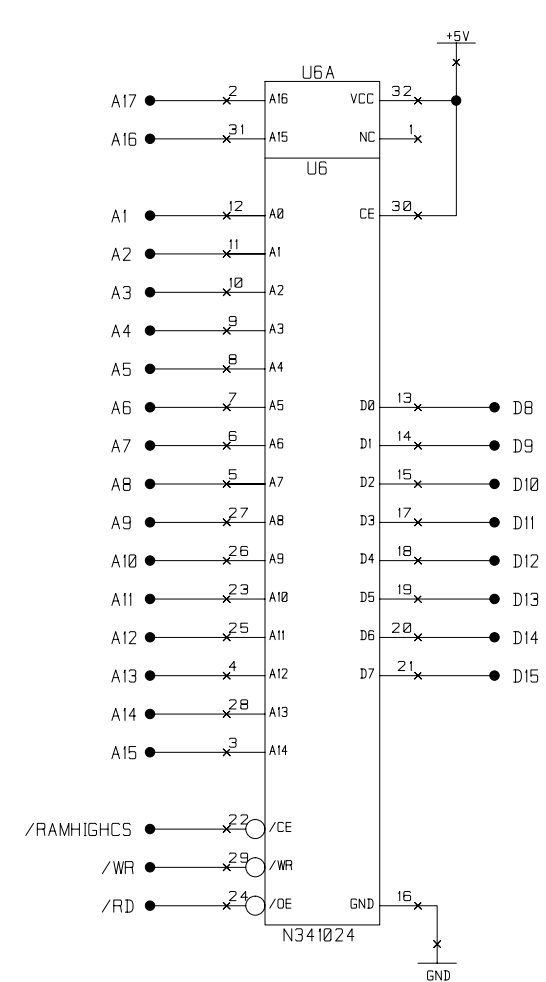
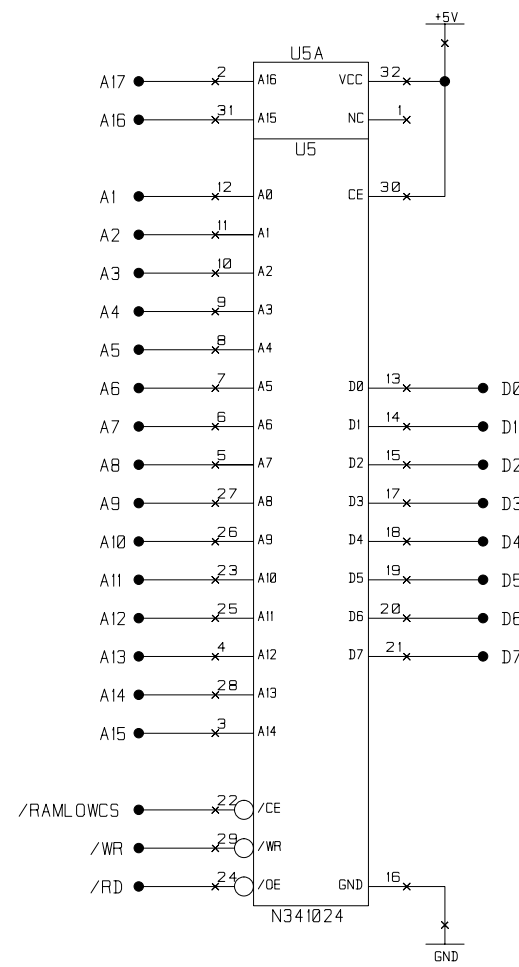
2105 GRACY FARMS LANE
AUSTIN, TX 78758

DRAWN	K. Lowe	SIZE	FSCM NO.	DWG. NO.	REV.
ISSUED	02-10-06	SCALE		80010112	1.6.1
				SHEET 2 of 14	

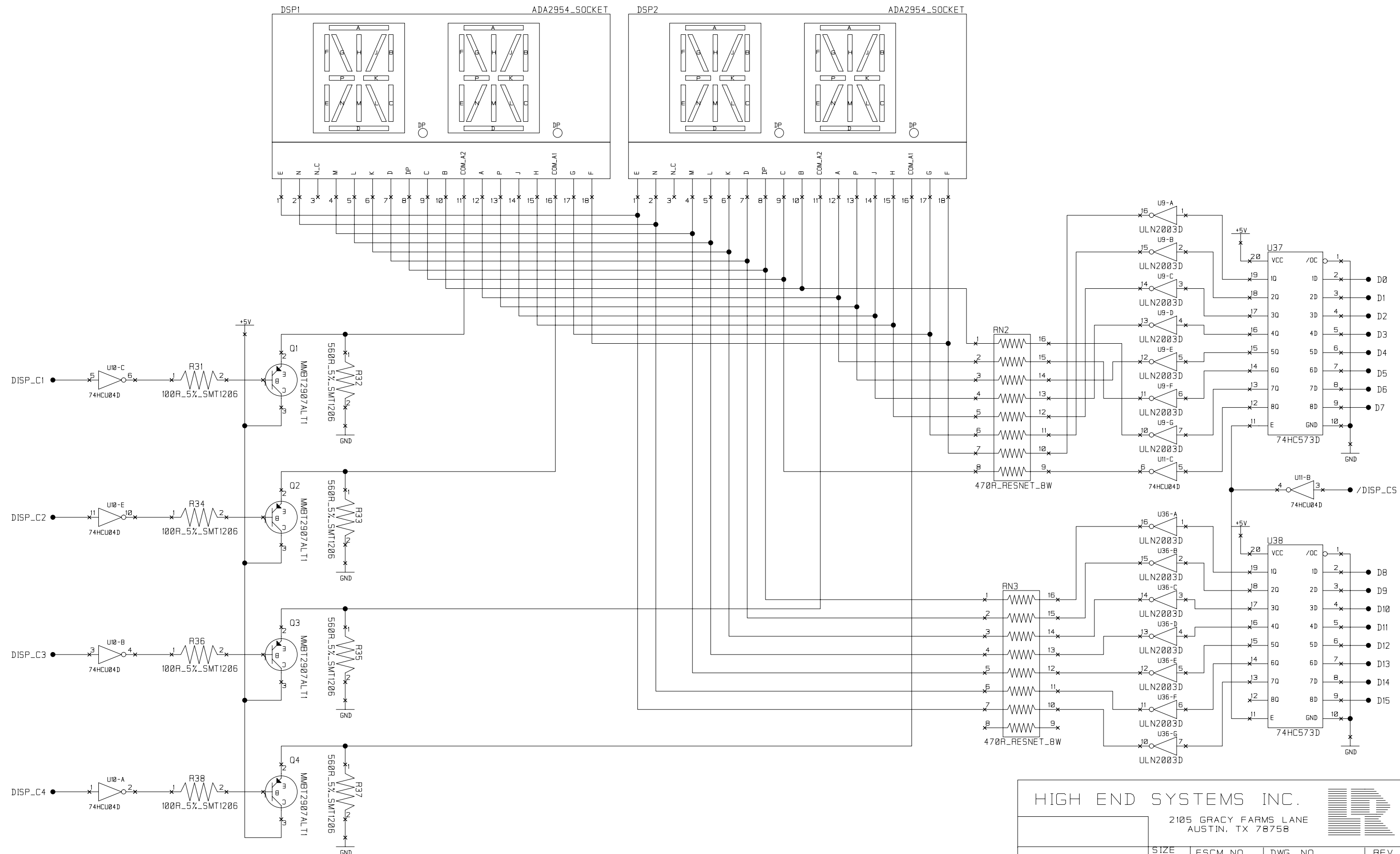
U5A AND U6A ARE 128Kx8, 32 PIN DEVICES.
 U5 AND U6 ARE 32Kx8, 28 PIN DEVICES.
 SYMBOL FOR 32 PIN DEVICE SHOWN.
 28 PIN DEVICE DOES NOT USE PINS 1,2,31,32.



U4 MAY BE EITHER A 512Kx8 OR 128Kx8.
 128Kx8 DEVICE DOES NOT USE PINS 1 AND 30.
 SYMBOL FOR 512Kx8 DEVICE SHOWN.



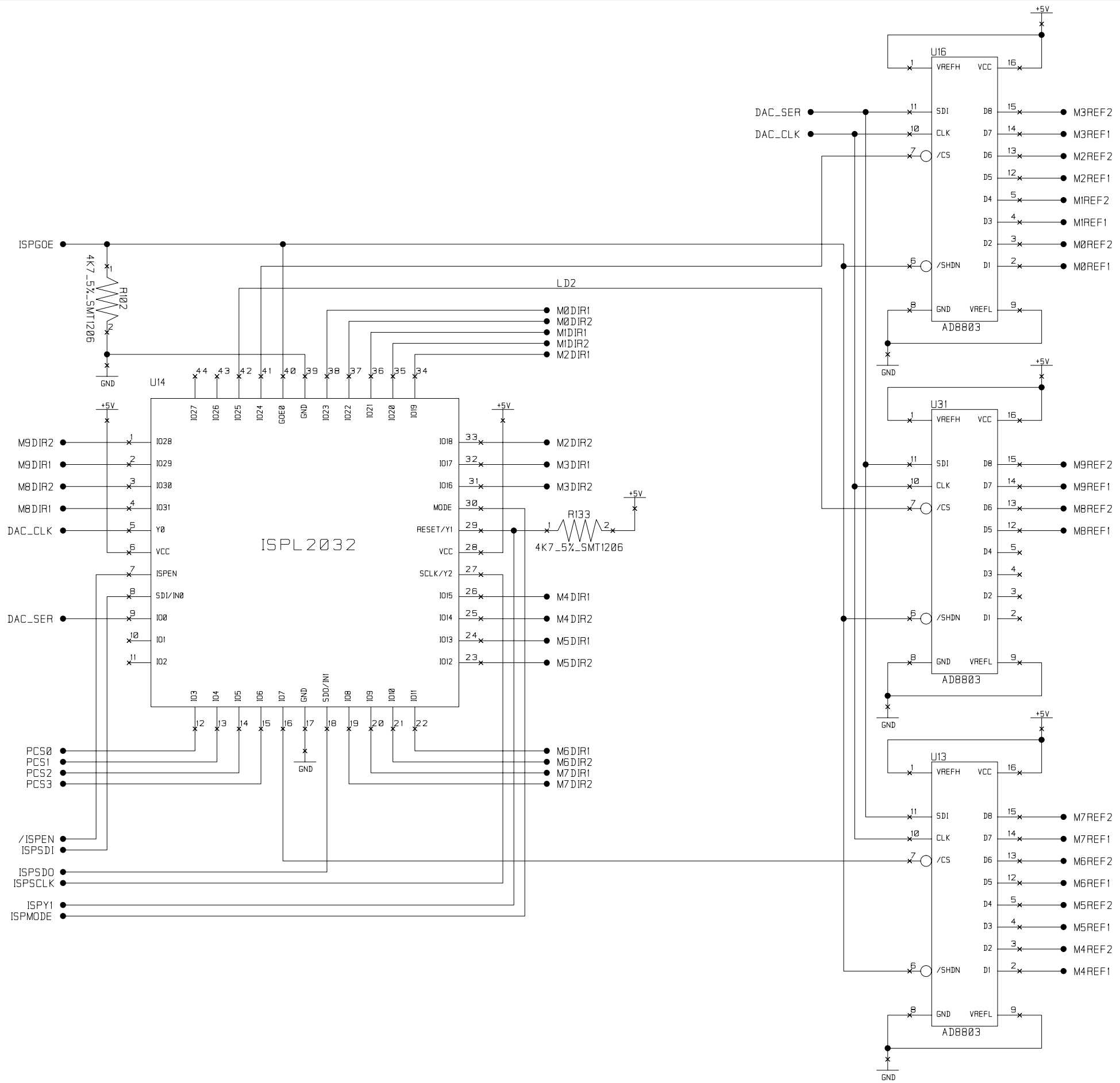
HIGH END SYSTEMS INC.		2105 GRACY FARMS LANE AUSTIN, TX 78758			
DRAWN	K. Lowe	SIZE	FSCM NO.	DWG. NO.	REV.
ISSUED	02-10-06	B		80010112	1.6.1
SCALE			SHEET		3 of 14



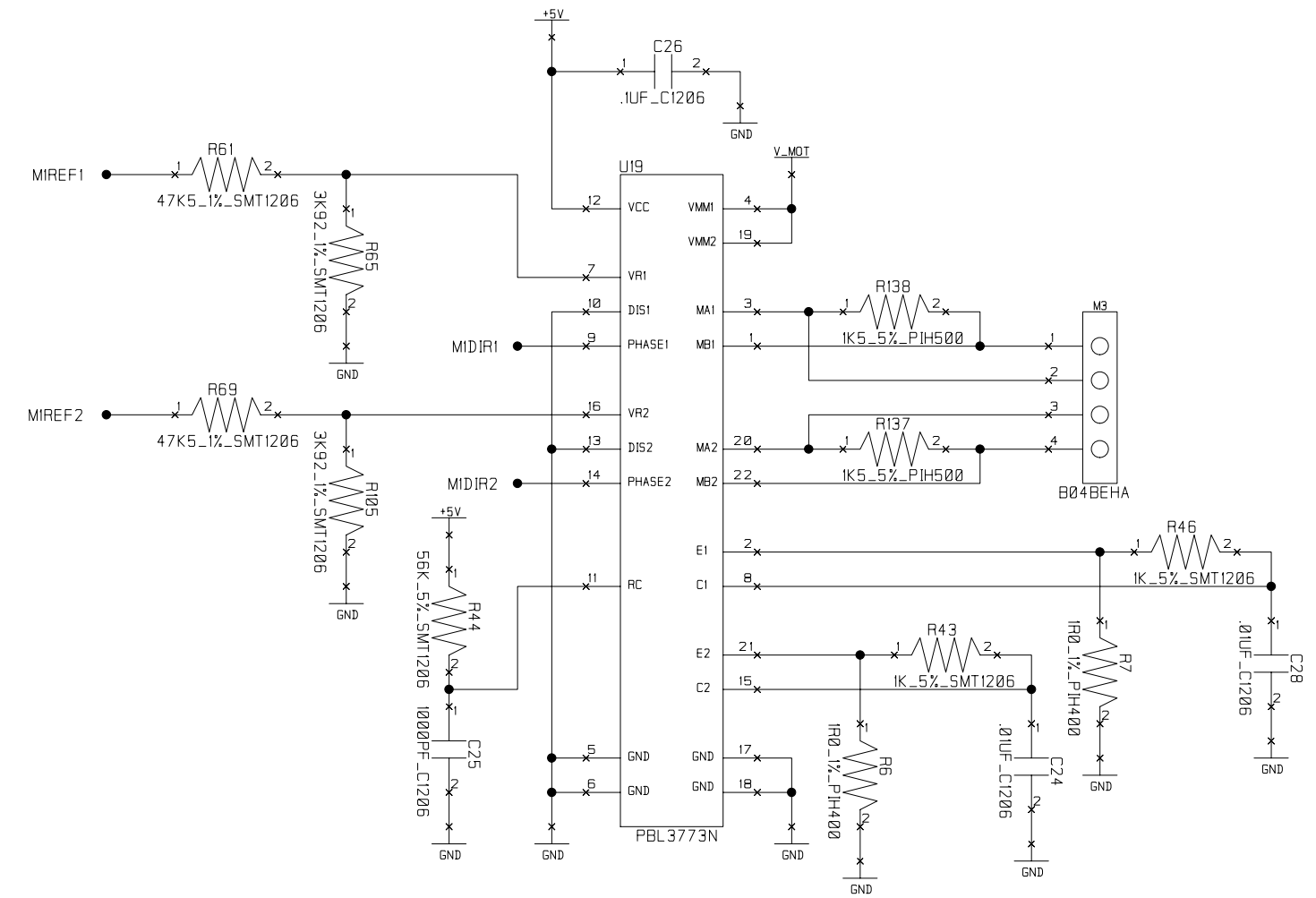
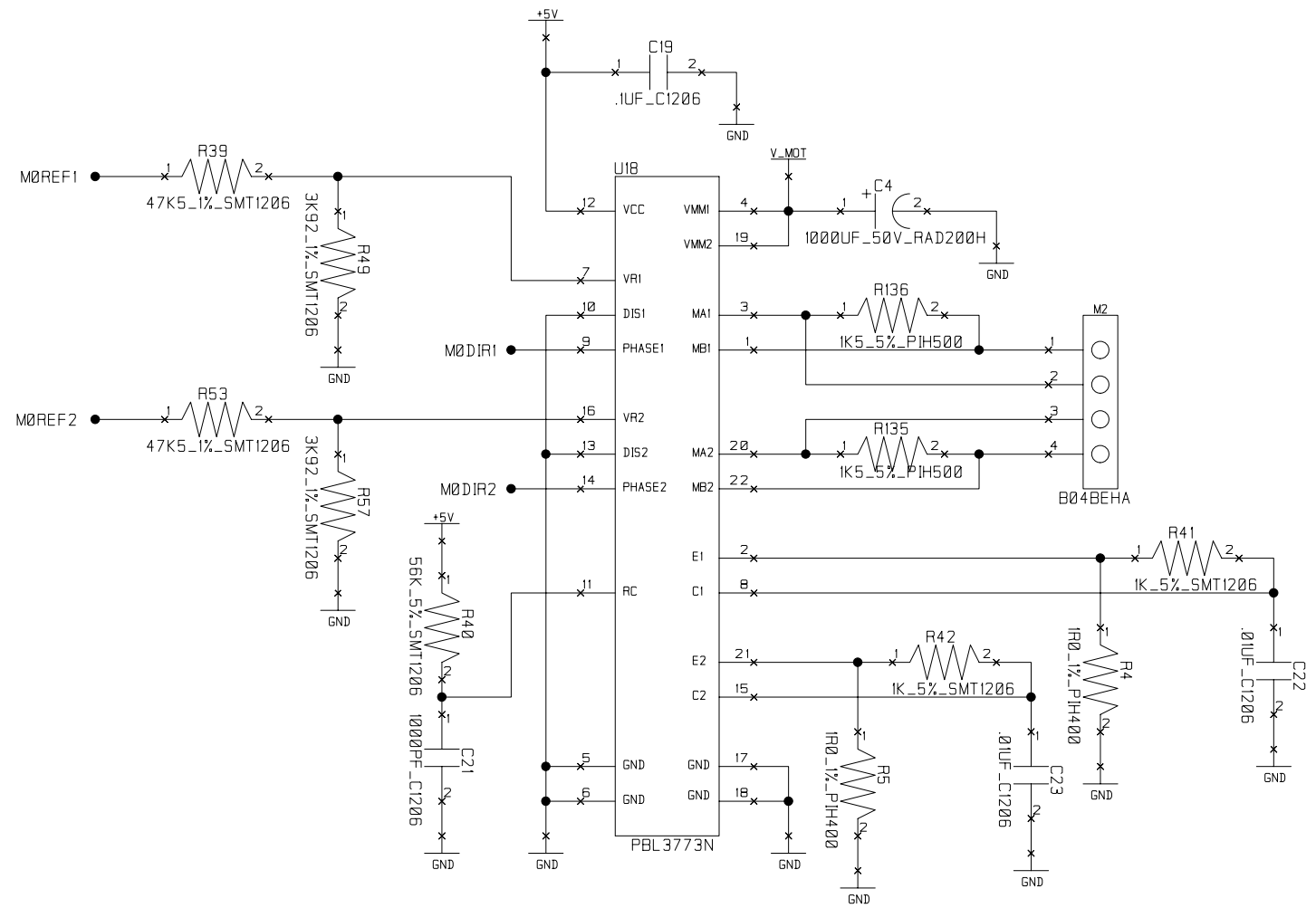
HIGH END SYSTEMS INC.

2105 GRACY FARMS LANE
AUSTIN, TX 78758

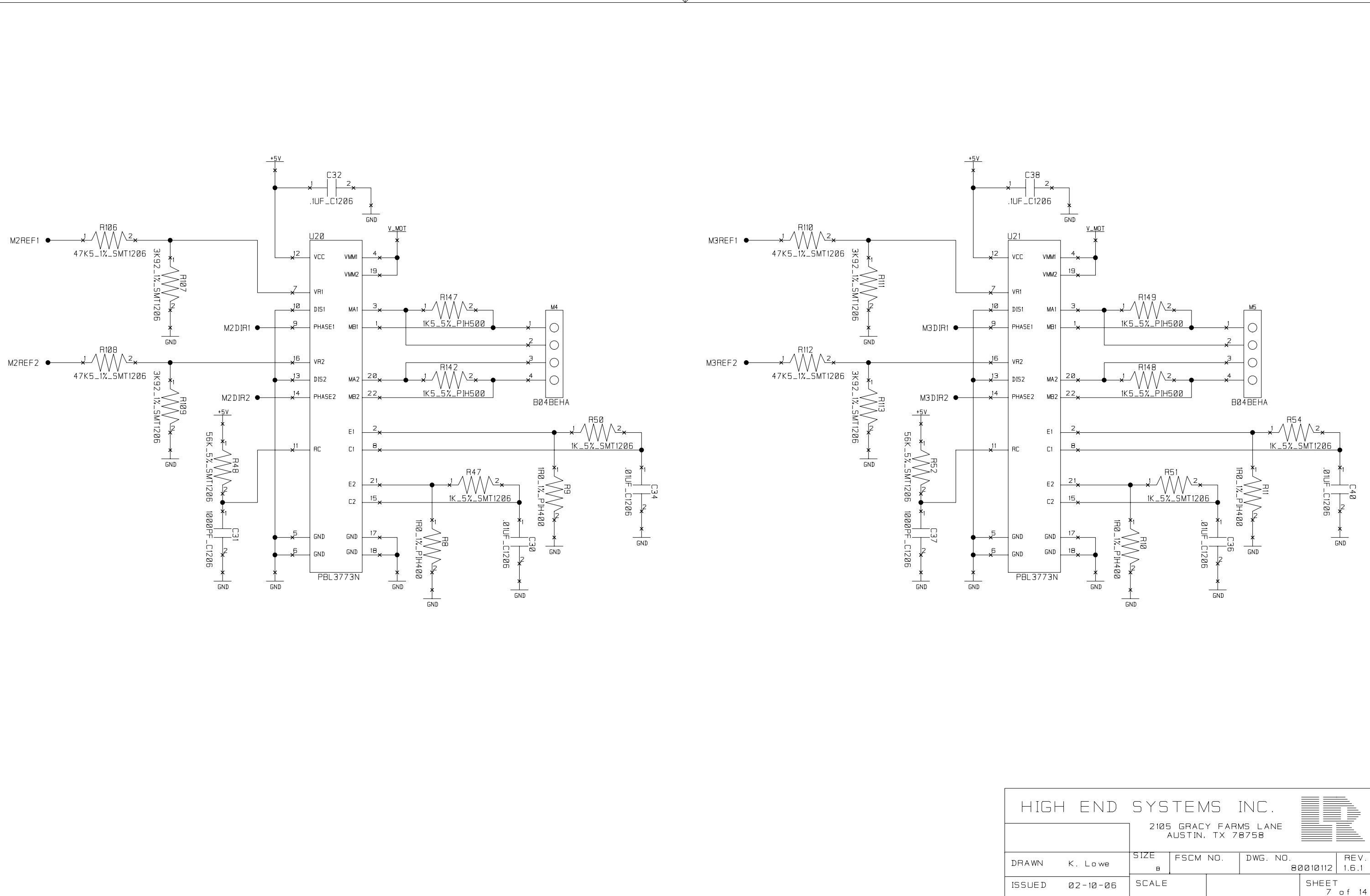
DRAWN	K. Lowe	SIZE	FSCM NO.	DWG. NO.	REV.
ISSUED	02-10-06	SCALE		80010112	1.6.1
				SHEET 4 of 14	

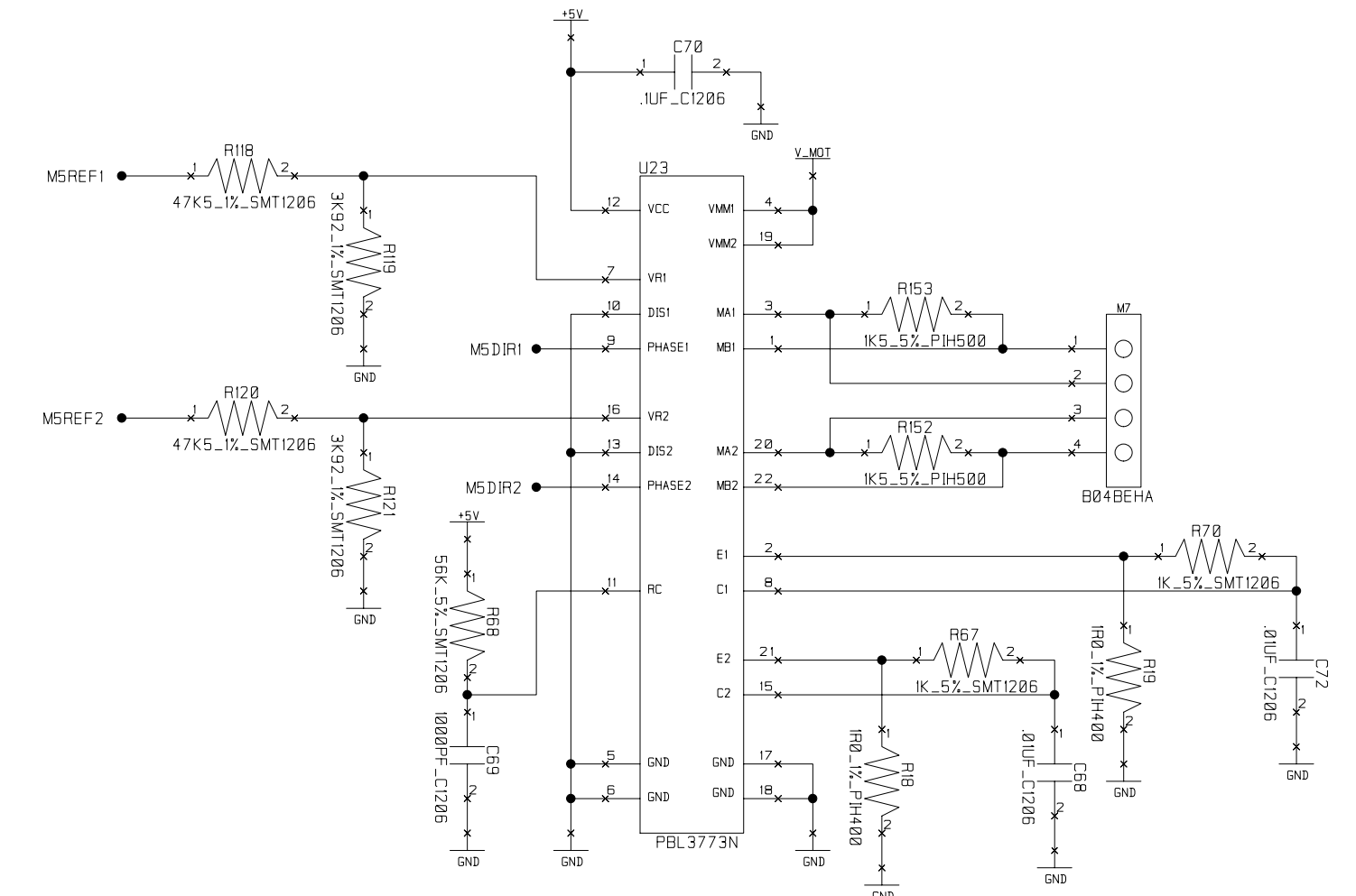
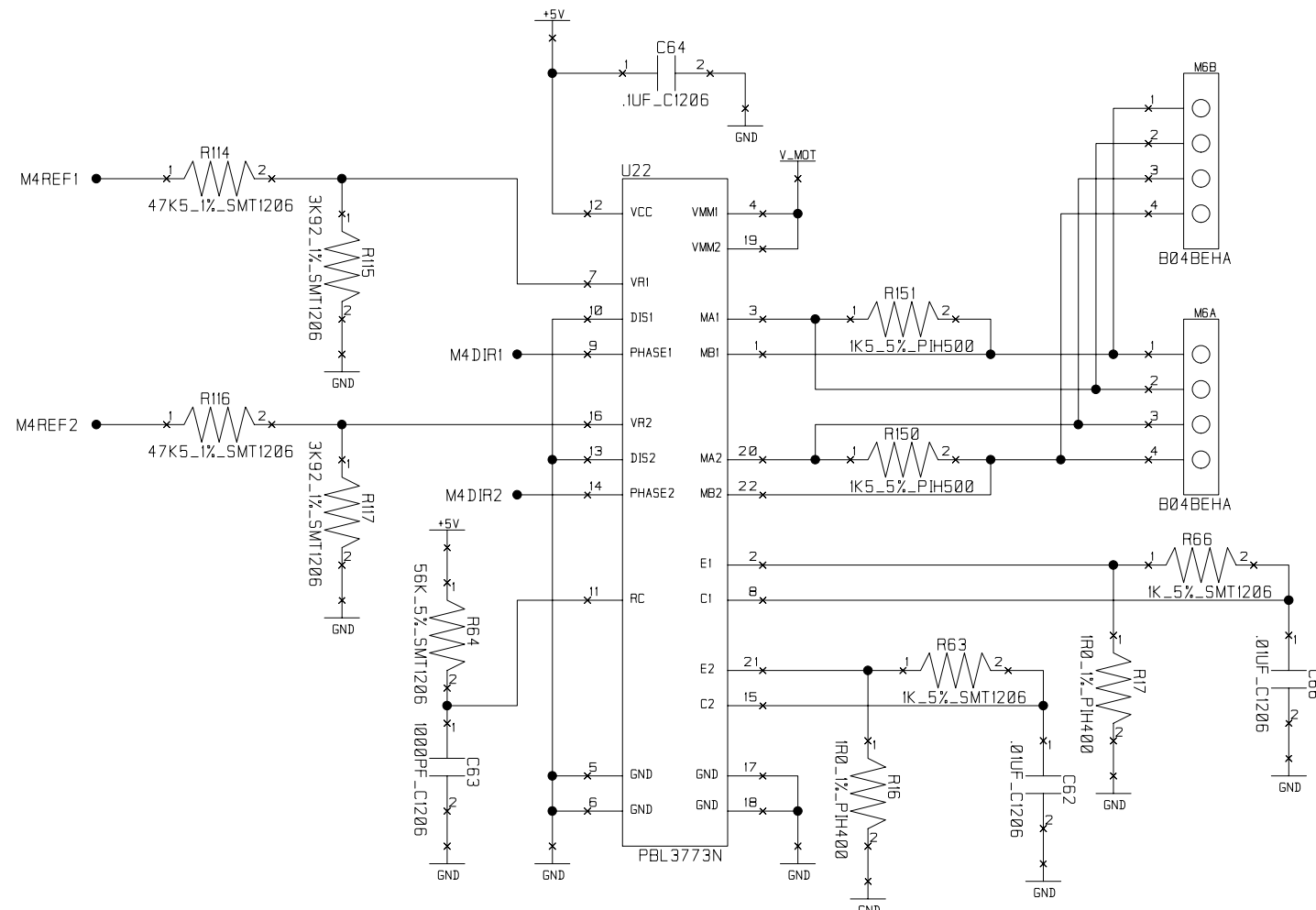


HIGH END SYSTEMS INC.					
2105 GRACY FARMS LANE AUSTIN, TX 78758					
DRAWN	K. Lowe	SIZE	FSCM NO.	DWG. NO.	REV.
ISSUED	02-10-06	B		80010112	1.6.1
SCALE				SHEET 5 of 14	

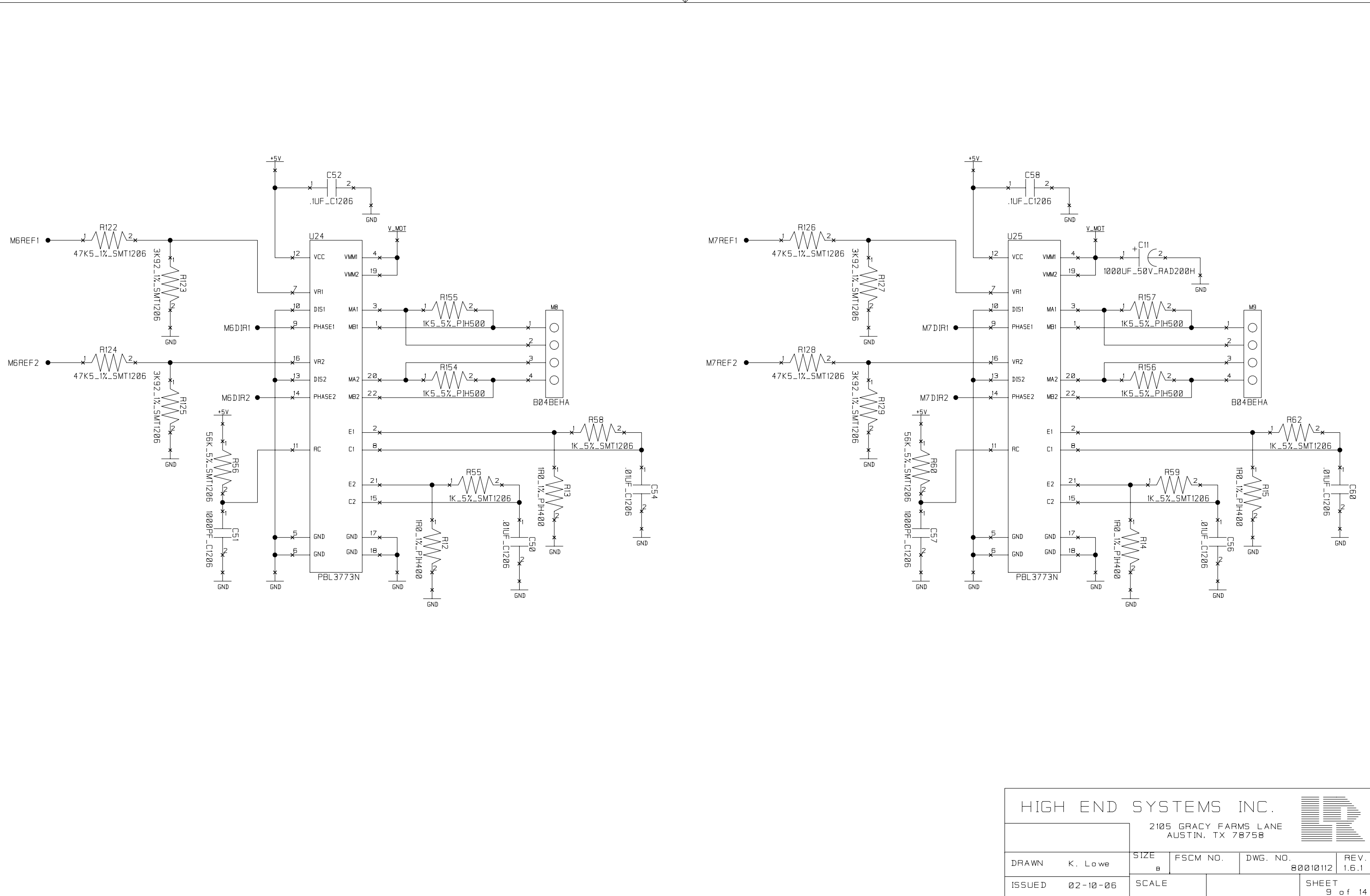


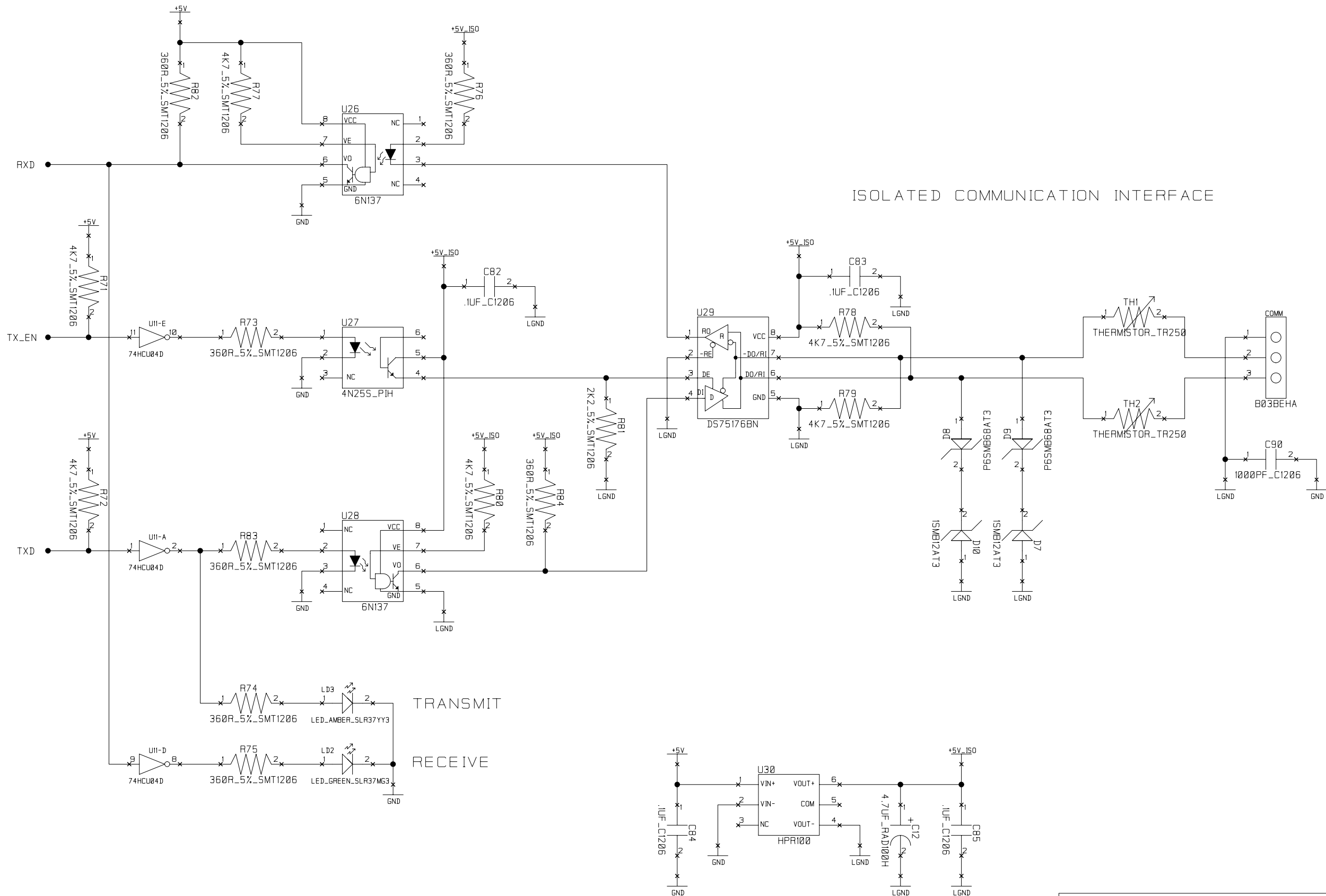
HIGH END SYSTEMS INC.				
2105 GRACY FARMS LANE AUSTIN, TX 78758				
DRAWN	K. Lowe	SIZE	FSCM NO.	DWG. NO.
ISSUED	02-10-06	b		80010112
SCALE			SHEET	REV.
			6 of 14	1.6.1






HIGH END SYSTEMS INC.					
2105 GRACY FARMS LANE AUSTIN, TX 78758					
DRAWN	K. Lowe	SIZE	FSCM NO.	DWG. NO.	REV.
ISSUED	02-10-06	B		80010112	1.6.1
SCALE				SHEET	
				8 of 14	



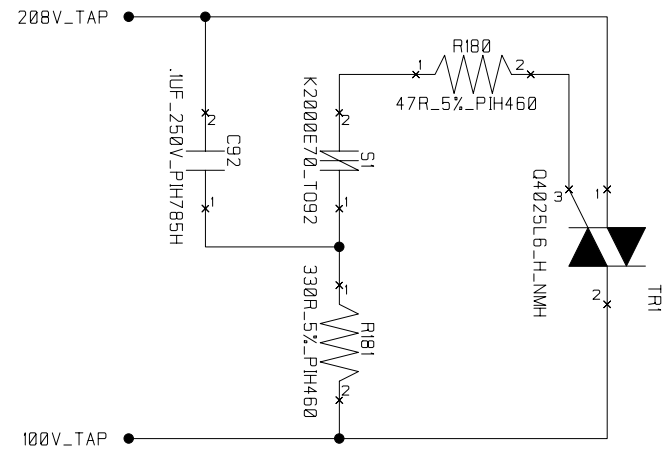
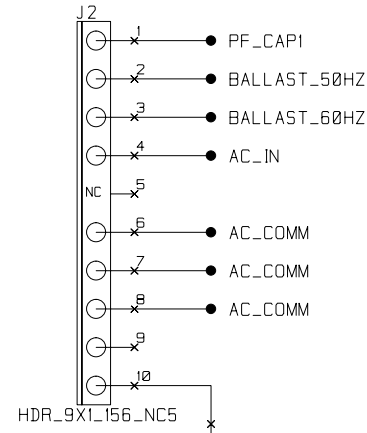
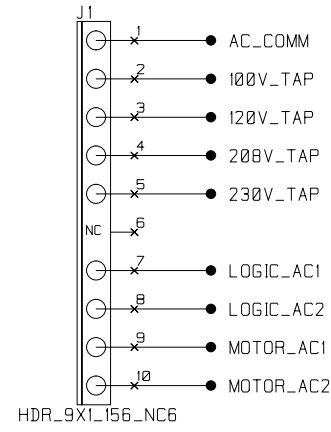


TRANSMIT

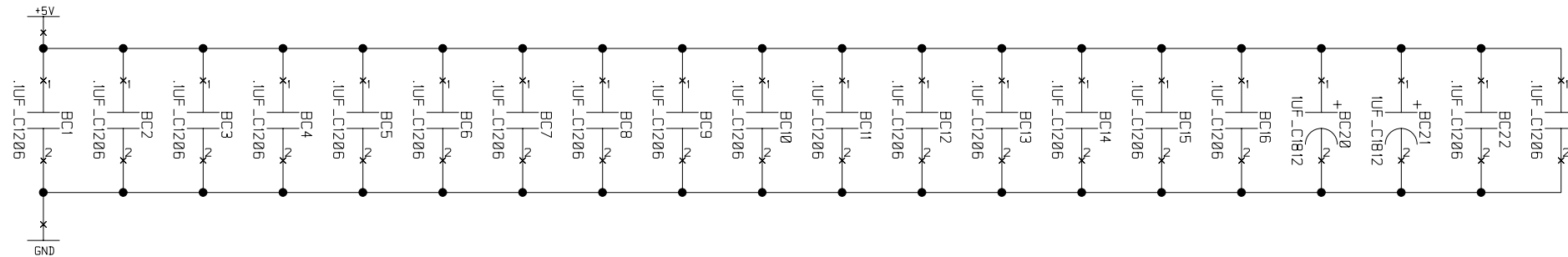
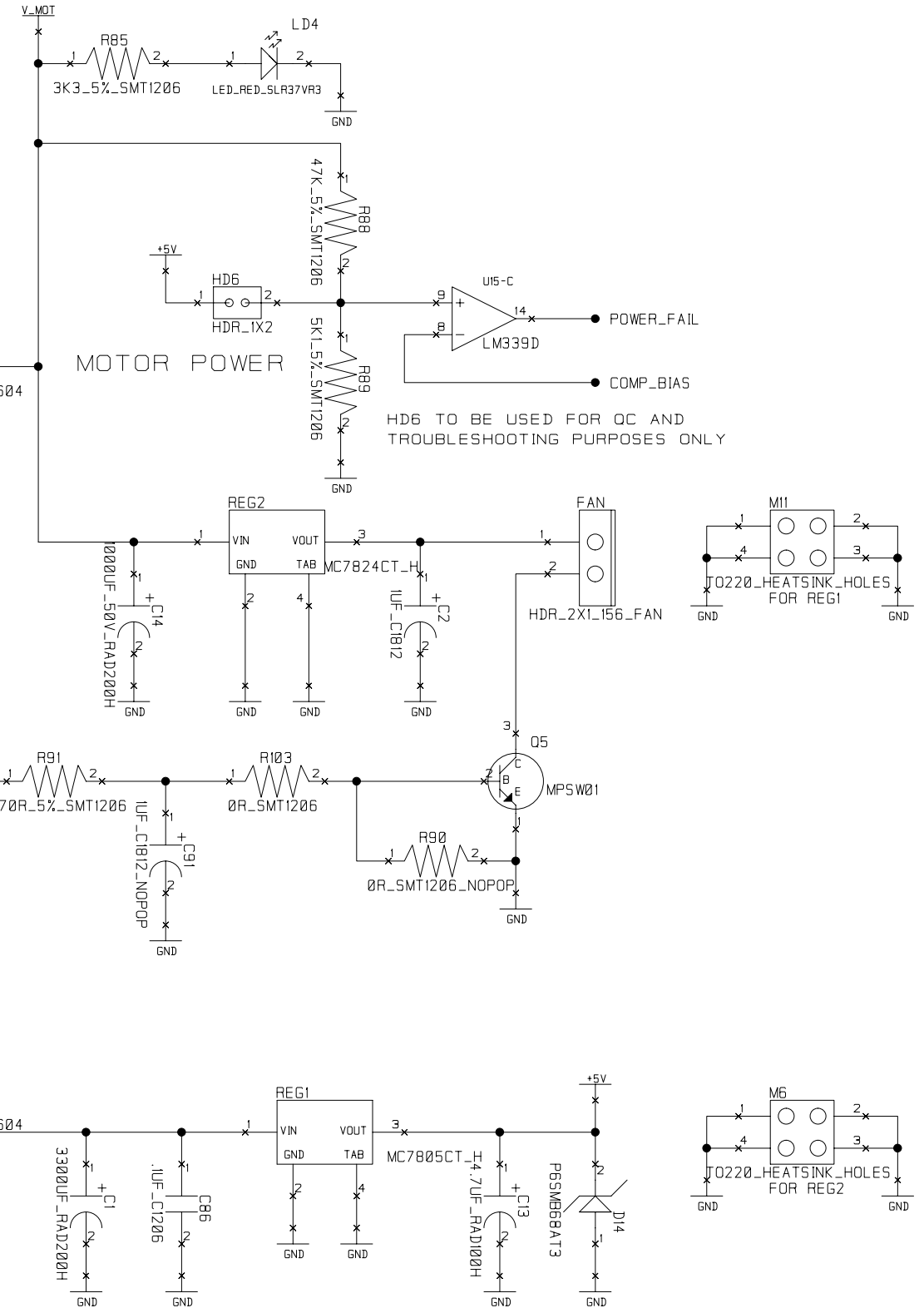
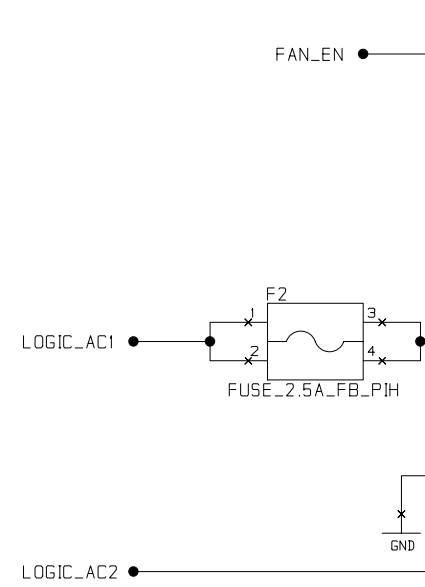
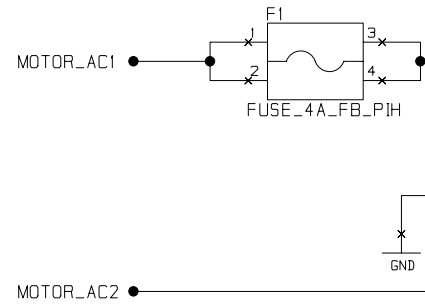
RECEIVE

HIGH END SYSTEMS INC.					
2105 GRACY FARMS LANE AUSTIN, TX 78758					
DRAWN	K. Lowe	SIZE	FSCM NO.	DWG. NO.	REV.
ISSUED	02-10-06	B		80010112	1.6.1
SCALE		SHEET			10 of 14

HIGH VOLTAGE



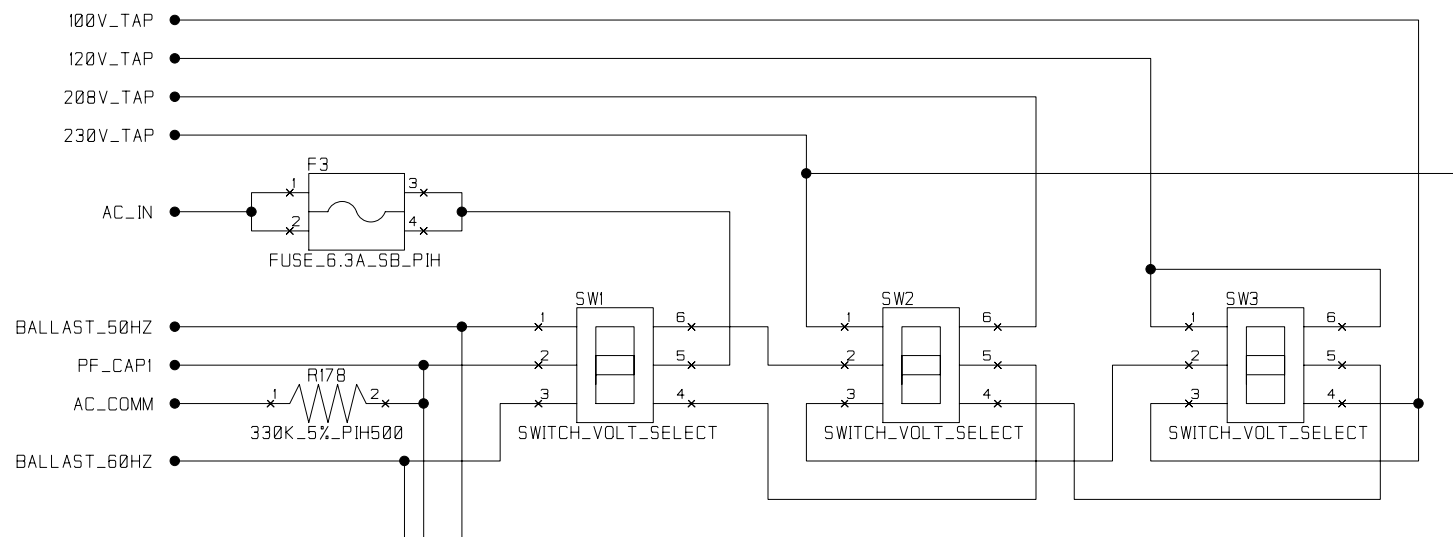
LOW VOLTAGE



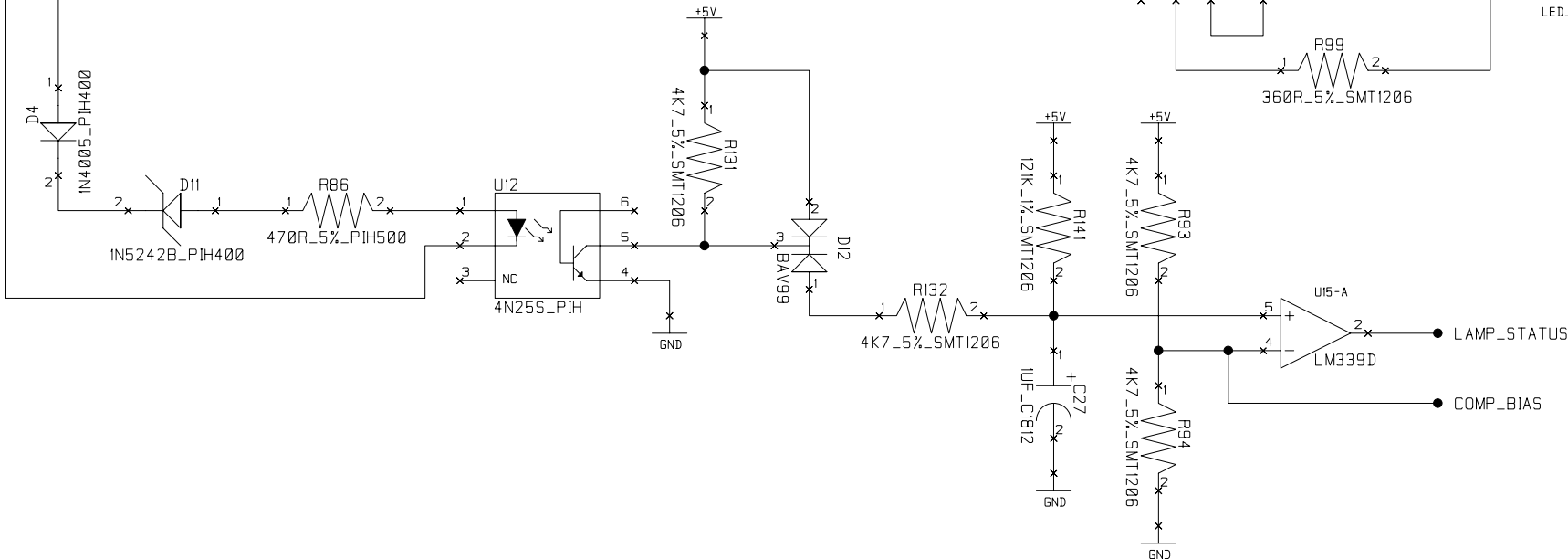
HIGH END SYSTEMS INC.				
2105 GRACY FARMS LANE AUSTIN, TX 78758				
DRAWN	K. Lowe	SIZE	FSCM NO.	DWG. NO.
ISSUED	02-10-06	SCALE		80010112
			SHEET	REV. 1.6.1
			11 of 14	

AC VOLTAGE SELECTION

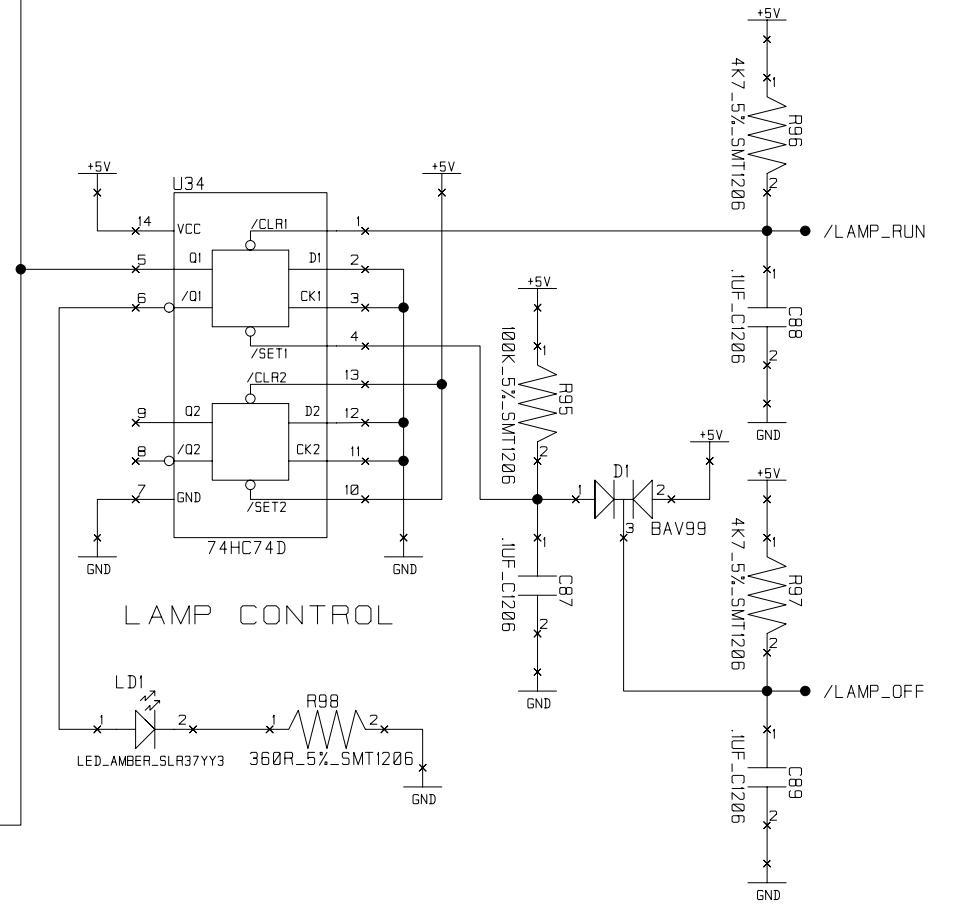
	UPPER FREQUENCY	UPPER VOLTAGE RANGE	LOWER VOLTAGE RANGE	
	SW1	SW2	SW3	
UP	50 HZ	230V	120V	UP
		LOWER VOLT RANGE	100V	DOWN
DOWN	60 HZ	208V	120V	UP
		LOWER VOLT RANGE	100V	DOWN



HIGH VOLTAGE

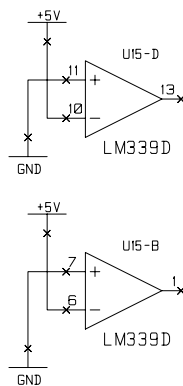


LOW VOLTAGE



LAMP CONTROL

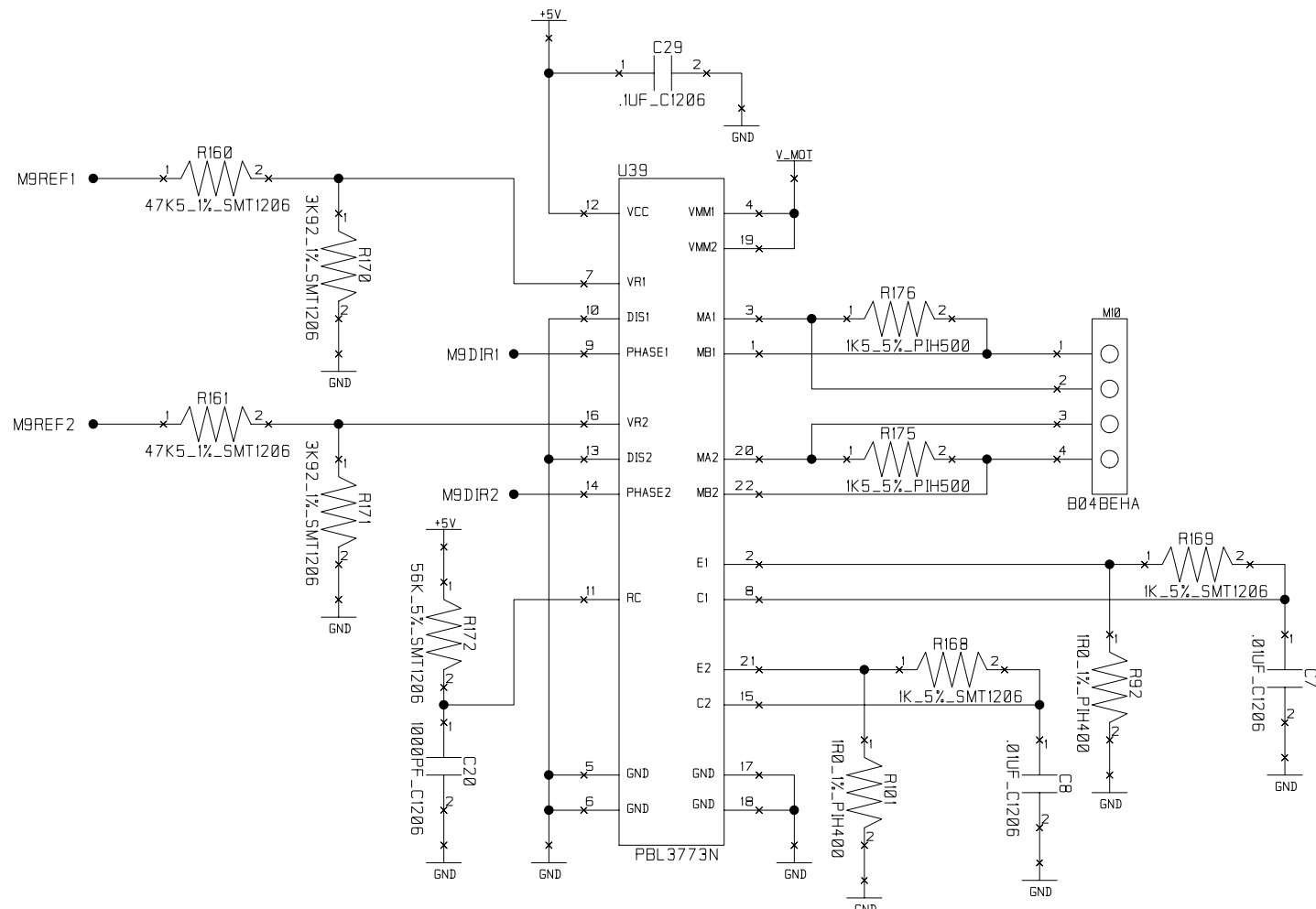
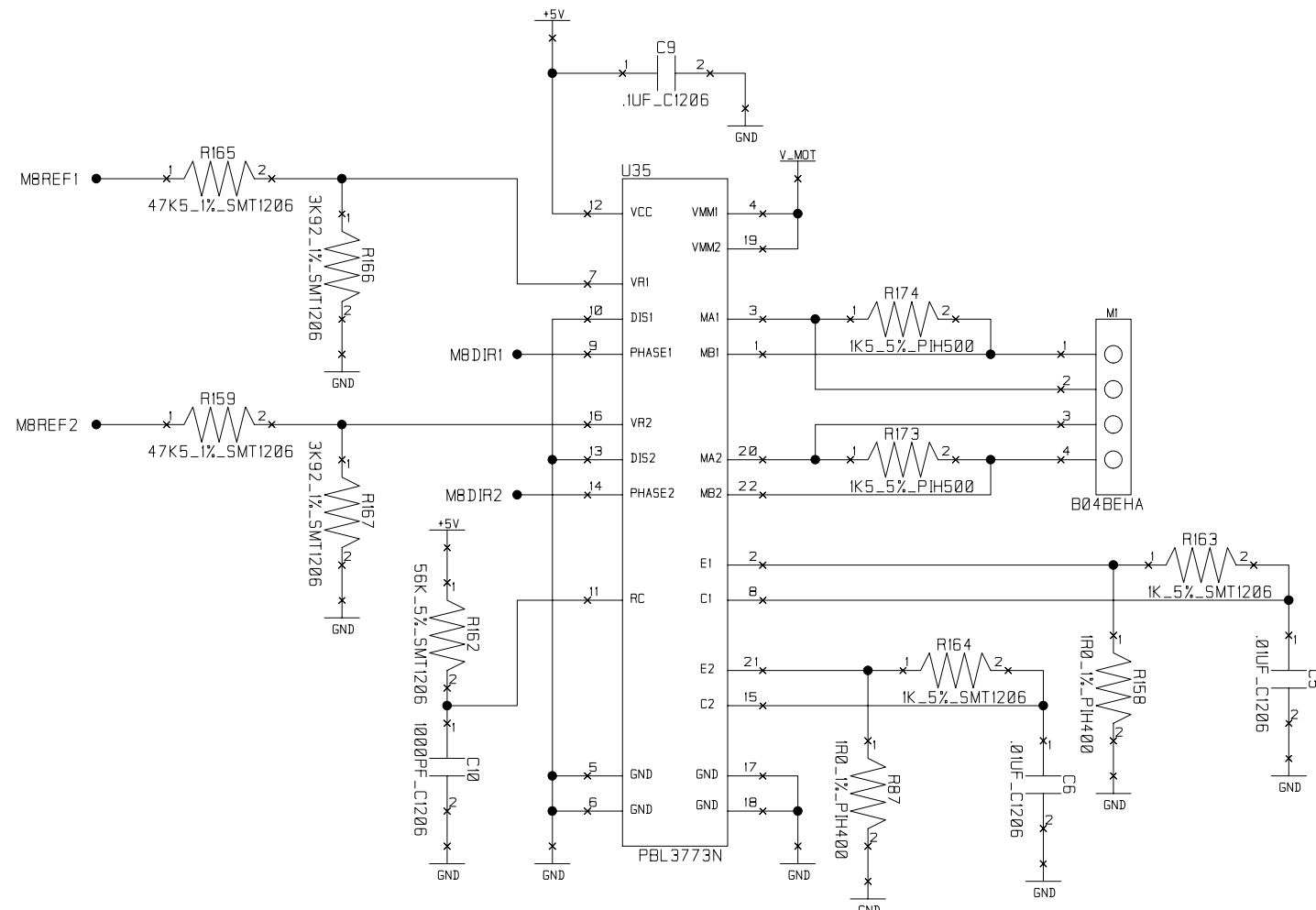
SPARE



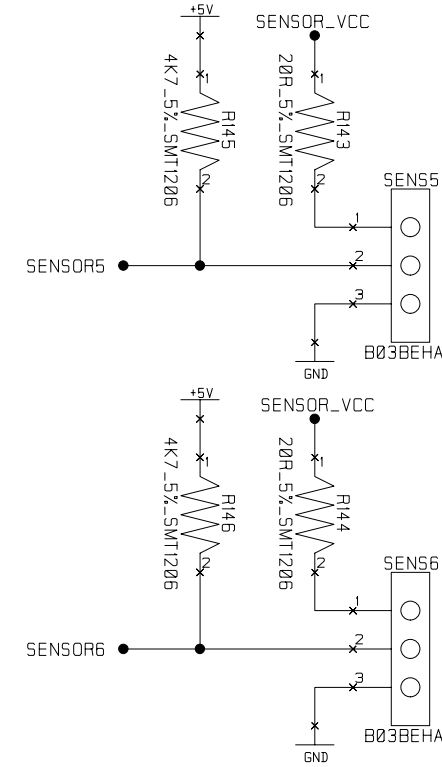
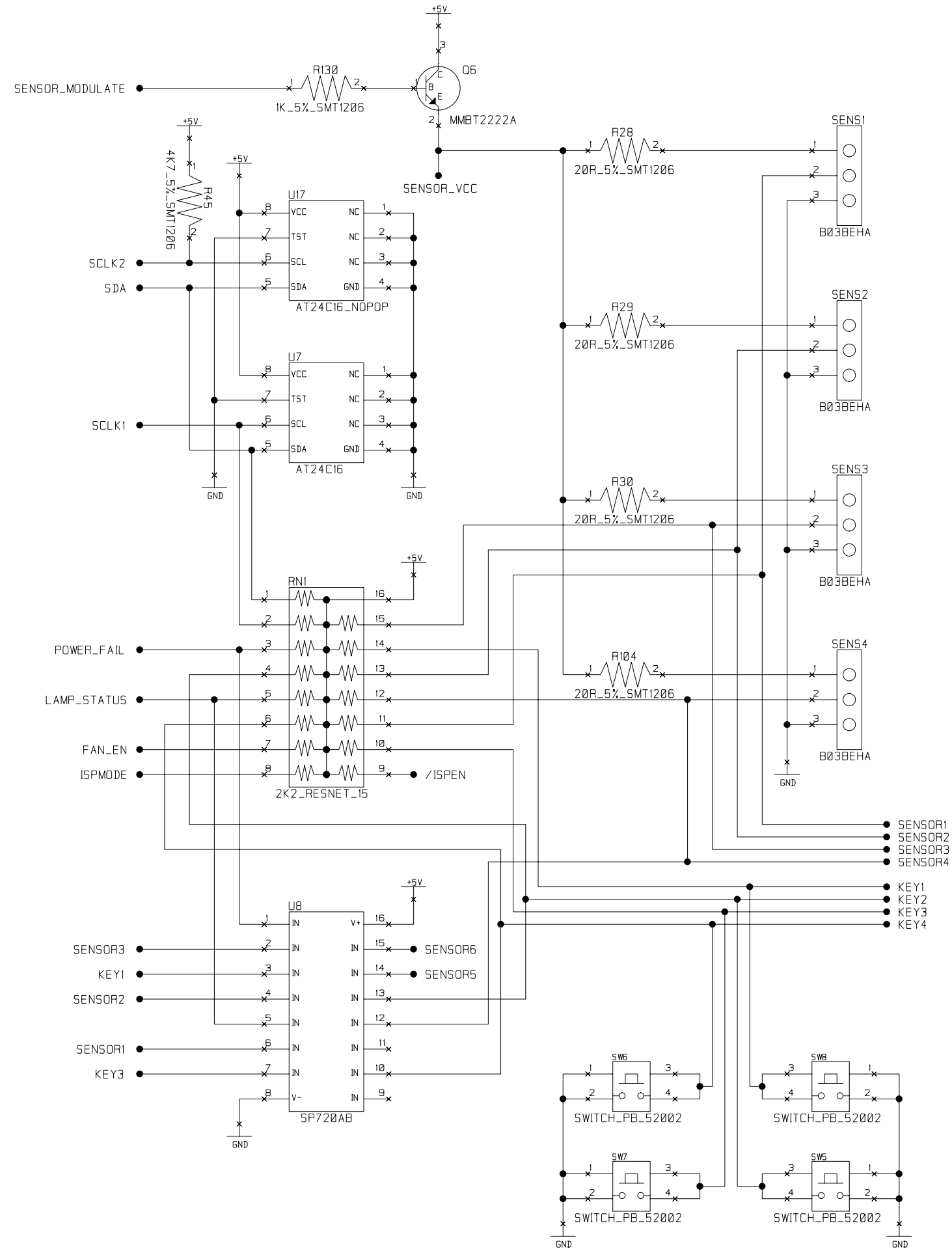
HIGH END SYSTEMS INC.

2105 GRACY FARMS LANE
AUSTIN, TX 78758

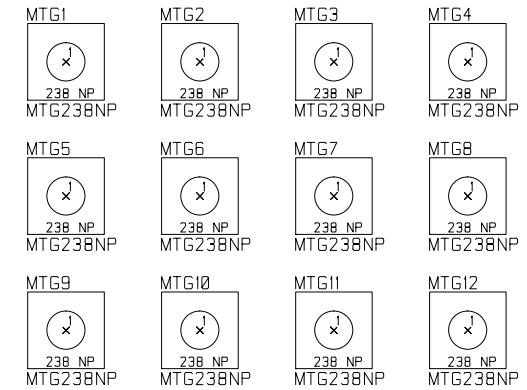
DRAWN	K. Lowe	SIZE	FSCM NO.	DWG. NO.	REV.
ISSUED	02-10-06	SCALE		80010112	1.6.1
				SHEET	12 of 14



HIGH END SYSTEMS INC.					
2105 GRACY FARMS LANE AUSTIN, TX 78758					
DRAWN	K. Lowe	SIZE	FSCM NO.	DWG. NO.	REV.
ISSUED	02-10-06	B		80010112	1.6.1
SCALE			SHEET		13 of 14



MOUNTING HOLES
NON-PLATED



HIGH END SYSTEMS INC.					
2105 GRACY FARMS LANE AUSTIN, TX 78758					
DRAWN	K. Lowe	SIZE	FSCM NO.	DWG. NO.	REV.
ISSUED	02-10-06	B		80010112	1.6.1
SCALE				SHEET	
				14 of 14	