

### MECHANICAL

#### FIXTURE

##### Dimensions:

mm: 483 x 348 x 793

in: 19 x 13.7 x 31

#### ROADCASE

##### Dimensions:

mm: 680 x 550 x 870

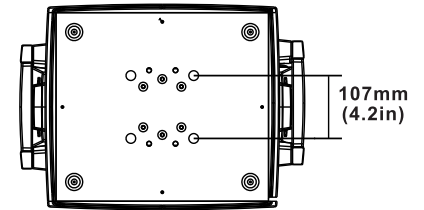
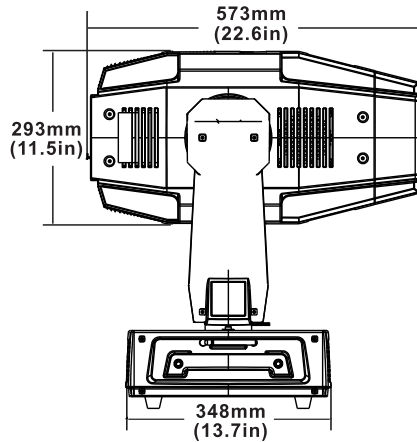
in: 26.8 x 21.7 x 34

**Fixture Weight:** 41 kg (90 lbs)

**Shipping Weight:** 76KG (167.5 lbs)

**Mounting Information:** The Technospot fixture can be truss mounted using 1/4 camlock c-clamps mounting brackets. It can also stand upright on a stable surface.

**Colors Available:** Black



### ELECTRICAL /LIGHT SOURCE

**Fixture Rated Power:** 850 W

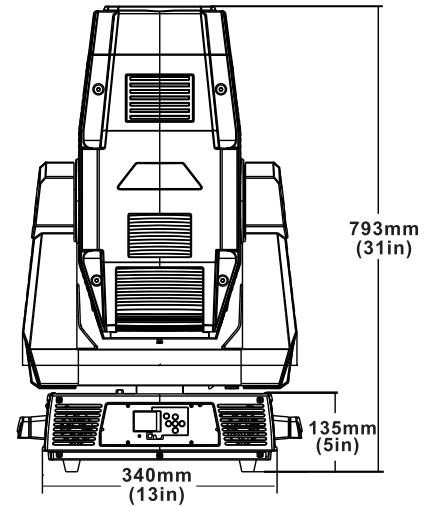
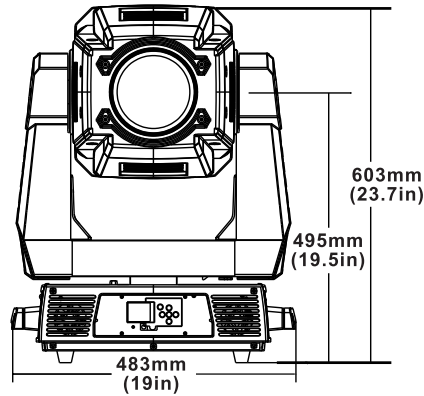
**Power Consumption:** AC 100V–240V; 50Hz/60Hz;  
8.5A–3.5A

**Lamp:** MSR 575W Mini Fast Fit

Color Temperature 7000 K

Lamp Life 750 hrs

**Fixture Output:** 12,000 Lumens\*



\* 3 points (center, middle, and edge)

### OPERATION

**Pan:** 540°

**Tilt:** 245°

**Zoom:** 3:1; 11° – 34°

#### Environmental Specifications:

Maximum Ambient Temperature (T <sub>a</sub> )	45°C (113°F)
Minimum Distance to Flammable Objects	2 m (6.56 ft)
Maximum Exterior Surface Temperature	110°C (230°F)
Minimum Distance to Lighted Objects	2 m (6.56 ft)

**Compliances:** ETL, CE

### PART NUMBERS

#### Fixture

H7010001: fixture, Technospot, black

#### Accessories

55030093: Replacement lamp

