

MECHANICAL SPECIFICATIONS

FIXTURE (including yoke)

in: 8.5 x 16.1 x 26.8

mm: 216 x 409 x 680

Weight: 24 kg (53 lb)

BOXED FOR SHIPPING

in: 12 x 16 x 30

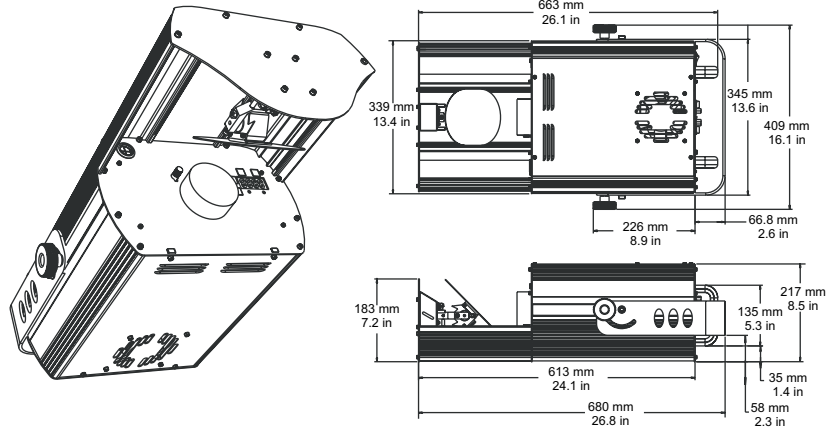
mm: 308 x 414 x 764

Weight: 27 kg (59 lb)

Mounting Information

Trackspot®2 fixtures mount to a truss using suitable clamps with locking washers through the holes on top of the yoke. You can also stand the unit on a sturdy, stable surface. Cheeseborough truss clamps and ½" nut/bolt sets may be purchased separately.

Colors Available : Black

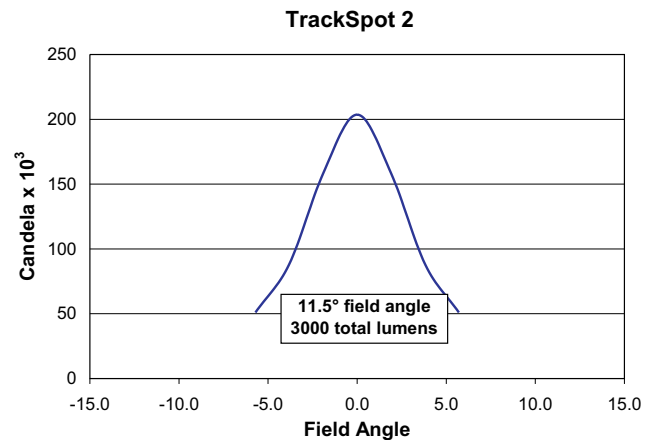


ELECTRICAL SPECIFICATIONS / LIGHT SOURCE

Lamp	MSD 250/2
Power Consumption	100V, 50HZ @ 3.4A 120V, 50HZ @ 2.6A 208V, 50HZ @ 1.7A 230V, 50HZ @ 1.5A 100V, 60HZ @ 3.5A 120V, 60HZ @ 2.8A 208V, 60HZ @ 1.6A 230V, 56HZ @ 1.5A
Rated Power	375W
Power Factor	120V, 60HZ: 0.96 230V, 50HZ: 0.97
Light Output	3000 ANSI lumens
Lamp Life	2000 hours
Color Temperature	6500K

	Center Beam Candela	Beam Angle Degrees	Field Angle Degrees
	203625	8	11.5
Throw	Center Beam	Beam Diameter	Field Diameter
5	8145	0.7	1.0
10	2036	1.4	2.0
15	905	2.1	3.0
20	509	2.8	4.0
25	326	3.5	5.0
30	226	4.2	6.0
35	166	4.9	7.0
40	127	5.6	8.1
45	101	6.3	9.1
50	81	7.0	10.1
55	67	7.7	11.1
60	57	8.4	12.1
65	48	9.1	13.1
70	42	9.8	14.1
75	36	10.5	15.9
80	32	11.2	16.1
85	28	11.9	17.1
90	25	12.6	18.1
95	23	13.3	19.1
100	20	14.0	20.1

For Metric figures, read "Center Beam" values as in lux, and the throw and diameters will be in meters.
For US figures, read "Center Beam" values as in footcandles, and the throw and diameters will be in feet.



$$\text{Illuminance} = \frac{\text{Candela}}{\text{Distance}^2}$$

OPERATION

Pan: 170° **Tilt:** 95°

Control Options: DMX512

Field Angle: 11.5°

Address Method: LED Display

Software Upgrades: Operating software may be downloaded from the High End Systems website: (www.highend.com) and uploaded using a High End Systems dongle.

Compliances: Trackspot 2 is CE, CETL, and ETL compliant

DMX Data Connectors: 3-pin male and female XLR connectors

Environmental Tolerances: Maximum ambient temperature: 50°C (122°F)

Maximum exterior surface temperature: 67°C (153°F)

Minimum distance to flammable objects: 1.0m (3.28 ft)

Minimum distance to lighted object: 1.0m (3.28 ft)

PART NUMBERS

Fixtures

58010001 Trackspot2 automated luminaire, Black

Lamps

55030051 Replacement lamp, Philips MSD250/2

DMX CHANNELS

Standard Protocol:

Channel	Function
1	Shutter/Dimmer/Strobe
2	Color
3	Gobos
4	Gobo Rotation
5	Effects
6	Prism Rotation
7	Pan
8	Tilt
9	Dimmer

Reduced Protocol:

Channel	Function
1	Shutter/Dimmer/Strobe
2	Color
3	Gobos
4	Gobo Rotation
5	Effects
6	Prism Rotation
7	Pan
8	Tilt

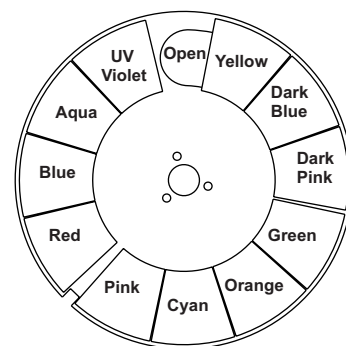
Fixtures per Universe: 56

Fixtures per Universe: 64

COLOR WHEEL

Color Wheel 1:

Position	Description	Replaceable	Position	Description	Replaceable
1	Open	No	7	Cyan	No
2	Yellow	No	8	Pink	No
3	Dark Blue	No	9	Red	No
4	Dark Pink	No	10	Blue	No
5	Green	No	11	Aqua	No
6	Orange	No	12	UV Violet	No

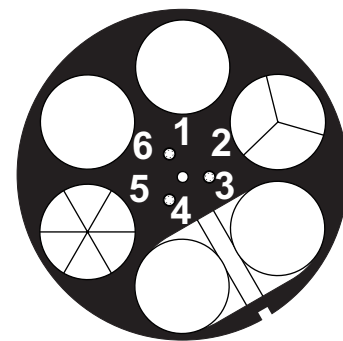


Dichroic Glass Thickness: 0.069 in ± 0.010 in (1.1 mm ± 0.25 mm)

EFFECTS WHEEL

Effects Wheel 1: Rotating

Position	Description	Replaceable
1	Open	No
2	3-facet Prism	No
3	Warm Correction	No
4	Cool Correction	No
5	5-facet prism	No
6	Frost	No



Effects Glass Diameter: 1.430 in ± 0.010 in (36 mm ± 0.25 mm)
 Maximum Thickness: 0.175 in ± 0.010 in (4.4 mm ± 0.25 mm)
 Image Area: 1.040 in ± 0.010 in (26 mm ± 0.25 mm)

GOBO WHEEL

Gobo Wheel: Rotating, Indexable

Position	Description	Replaceable	Position	Description	Replaceable
1	Open	No	6	Beam Reducer	No
2	Tunnel	Yes	7	Triangle Tunnel	Yes
3	Multi Circle	Yes	8	Snake Eyes	Yes
4	Comet Wings	Yes	9	Simmer	Yes
5	Bar	Yes	10	Stars	Yes



Lithopatterns Diameter: 0.972 in ± 0.008 in (24.7 mm ± 0.2 mm)
 Image Area: 0.768 in ± 0.005 in (19.5 mm ± 0.13 mm)
 Maximum thickness (rotating litho): 0.043 in (1.1 mm)