

# HOG™

## MIDI / LTC Expansion Module

for

***Wing4™***

***Nano Hog4™***



Caution: Observe anti-static precautions when handling circuit board assembly.  
Do not attempt to operate the expansion module when not installed in a console housing.

### Installation Instructions

- Locate the cover panel on the rear of the console housing.
- Remove the blank cover panel, saving the four mounting screws.
- Locate and extend the console wiring assembly out through the expansion port opening. There will be one USB wire assembly and one 12 VDC power wire assembly.
- For the MIDI / LTC module, only the USB wire assembly will be used. Connect the USB wire assembly to the header on the LTC circuit board at the location shown in Fig. A.
- Carefully insert the module assembly in the port and secure using the original mounting screws that were saved.

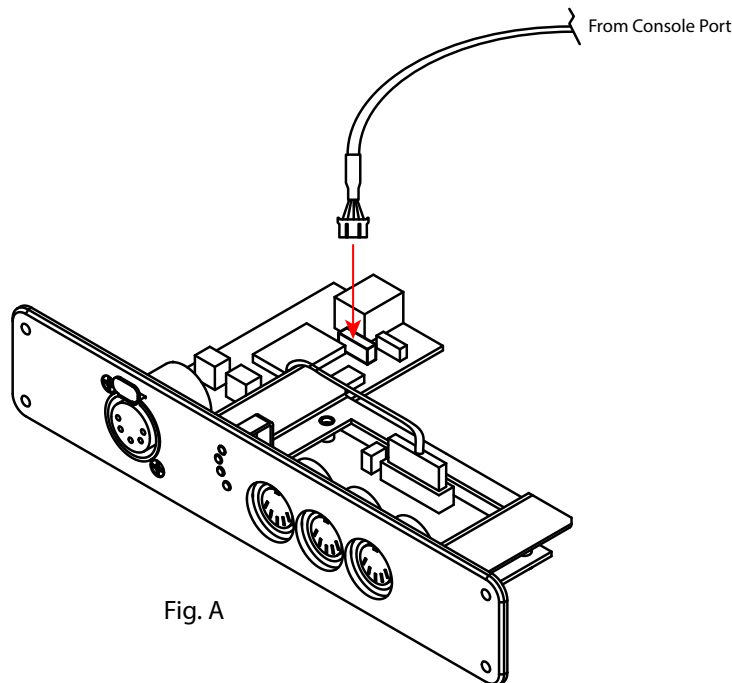


Fig. A

Note: Refer to the Hog User Manual for assigning and operating the expansion module.

HIGH END SYSTEMS



an ETC. Company